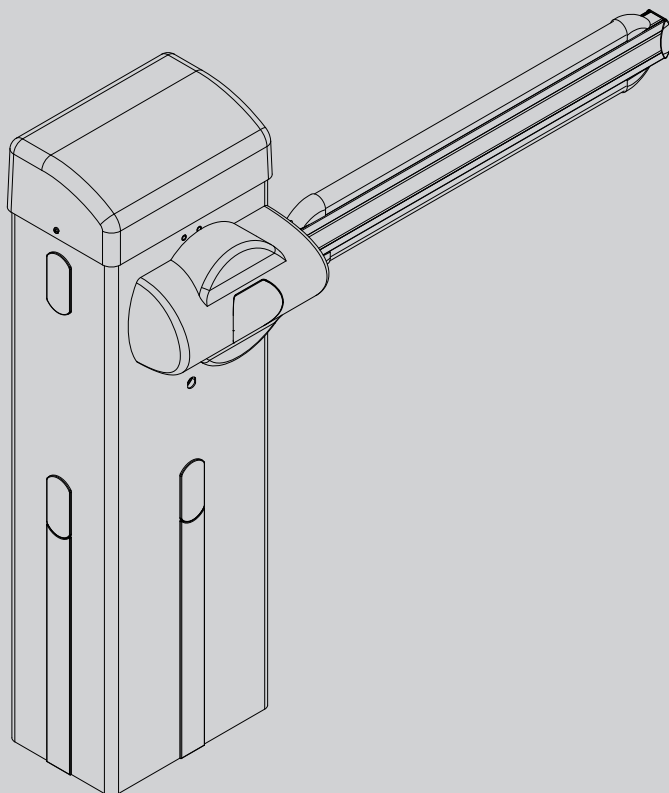


8



D811768 00100_03 09-03-12

AUTOMATISMO ELETTROMECCANICO PER BARRIERA VEICOLARE
 ELECTROMECHANICAL CONTROL DEVICE FOR VEHICULAR BARRIERS
 AUTOMATISME ELECTROMECHANIQUE POUR BARRIERE POUR VEHICULES
 ELEKTROMECHANISCHER ANTRIEB FÜR FAHRZEUGSCHRANKEN
 AUTOMATISMOS ELECTROMECHANICOS PARA BARRERAS VEHICULAR
 ELEKTROMECHANISCH AUTOMATISERINGSSYSTEEM VOOR SLAGBOOM



ISTRUZIONI D'USO E DI INSTALLAZIONE
 INSTALLATION AND USER'S MANUAL
 INSTRUCTIONS D'UTILISATION ET D'INSTALLATION
 INSTALLATIONS-UND GEBRAUCHSANLEITUNG
 INSTRUCCIONES DE USO Y DE INSTALACION
 GEBRUIK- EN INSTALLATIEAANWIJZINGEN

GIOTTO 30-50 S BT
 GIORNO 30-50 BT

Bft



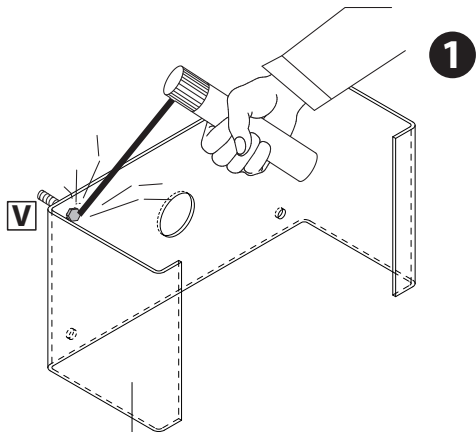
AZIENDA CON SISTEMA DI GESTIONE
 INTEGRATO CERTIFICATO DA DNV
 = UNI EN ISO 9001:2008 =
 UNI EN ISO 14001:2004

Attenzione! Leggere attentamente le "Avvertenze" all'interno! **Caution!** Read "Warnings" inside carefully! **Attention!** Veuillez lire attentivement les Avertissements qui se trouvent à l'intérieur!
Achtung! Bitte lesen Sie aufmerksam die „Hinweise“ im Inneren! **¡Atención!** Leer atentamente las "Advertencias" en el interior! **Let op!** Lees de "Waarschuwingen" aan de binnenkant zorgvuldig!

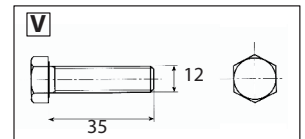
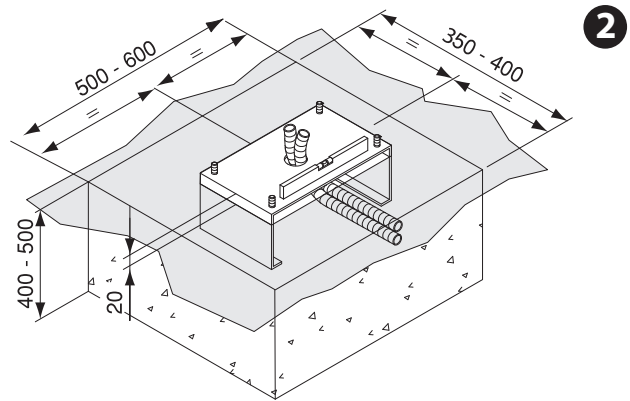
<https://appceso.com>

Con scavo di fondazione: // With foundation plate embedded in ground: // Avec tranchée de fondation: //
Mit Fundamentgraben: // Con excavación de cimentación: // Met uitgraving:

B1

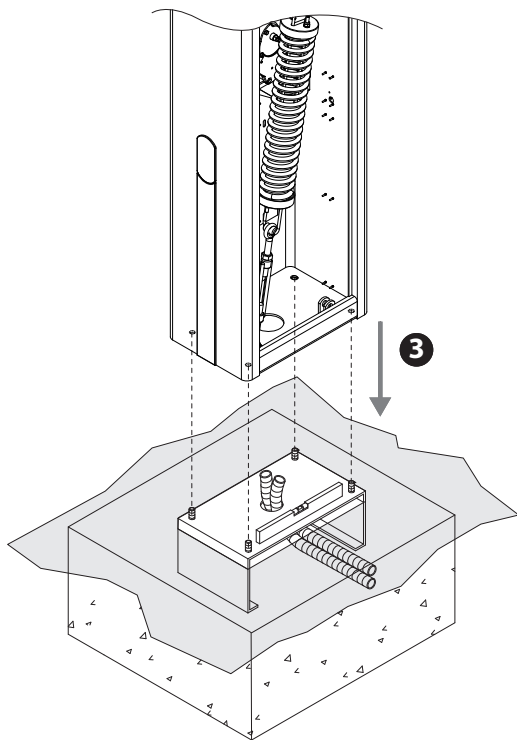


Non in dotazione
Not supplied
Ne sont pas fournis
Nicht im lieferumfang
No asignadas en el equipamiento base
Niet meegeleverd

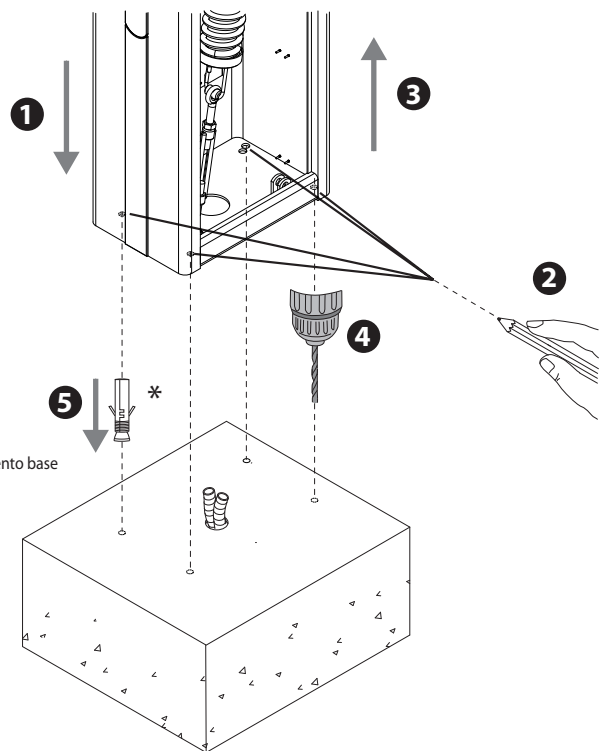
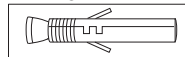


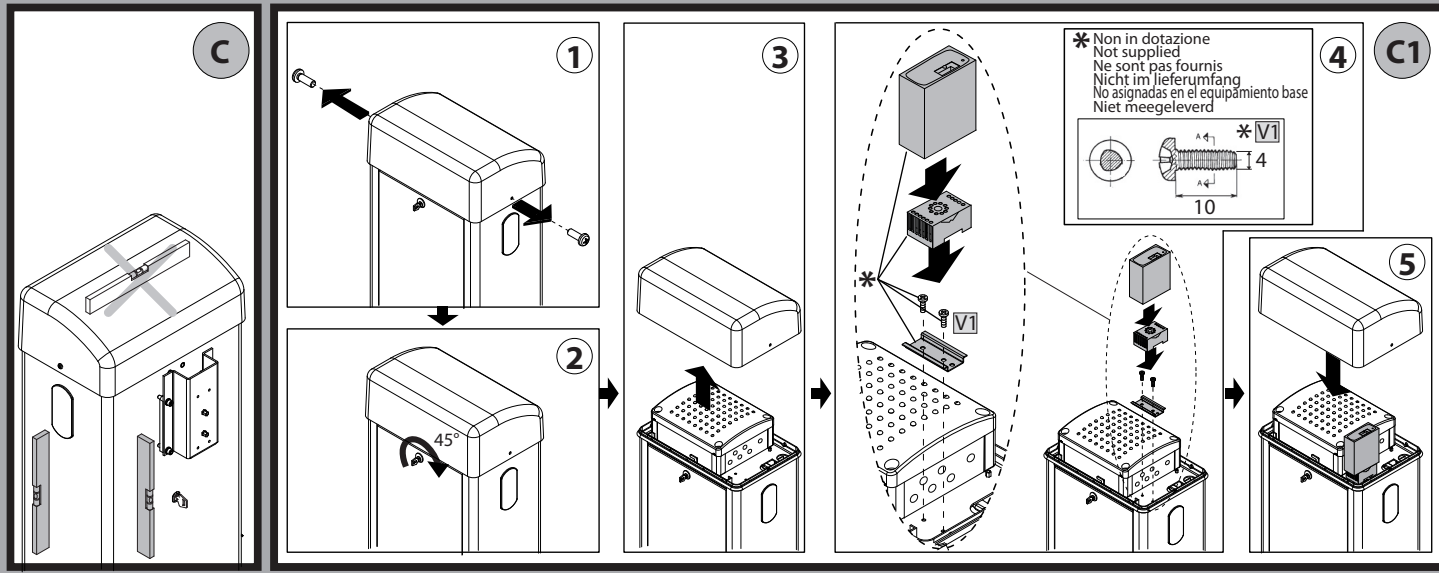
Con tiranti: // With anchor bolts: // Avec tirants: // Mit Ankerbolzen: // Con tirantes: // Met spankabels:

B2



*
Non in dotazione
Not supplied
Ne sont pas fournis
Nicht im lieferumfang
No asignadas en el equipamiento base
Niet meegeleverd





Montaggio Asta, Assembly of boom, Montage de la barre, Montage der Stange, Montaje mástil, Montage stang.

Assicurarsi che la molla non sia in tensione.
 Make sure the spring is not under tension.
 Vérifiez si le ressort n'est pas en tension.
 Sicherstellen, dass die Feder nicht gespannt.
 Asegurarse de que el muelle no esté tensado.
 Controleren of de veer niet onder spanning staat.

Per montaggio aste fare riferimento ai manuali ATG e AQG.
 See manuals ATG and AQG for boom assembly.
 Pour monter la barre consultez les manuels ATG et AQG.
 Für die Montage der Stange auf die Handbücher ATG und AQG Bezug nehmen.
 Para montaje de los mástiles consultar los manuales ATG y AQG.
 Voor montage stangen de ATG- en AQG-handboeken raadplegen.

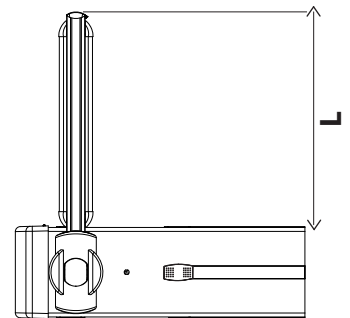
Accessori opzionali, Optional extras, Accessoires facultatifs, Sonderzubehör, Accesorios Opcionales, Optionele Accessoires.

GIOTTO 30-50 BT
GIOTTO 30 - 50 S BT

SB
 Siepe/Skirt/Rideau de lisse
 Gitterbehang/Fleco de varillas/Saia

GA GAMA

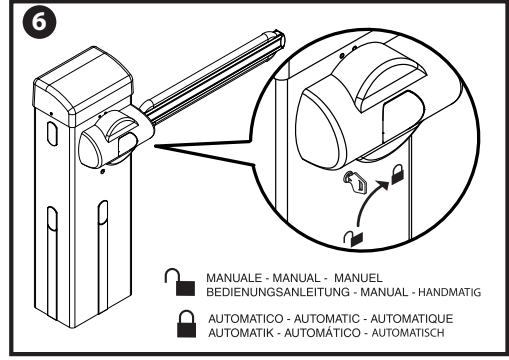
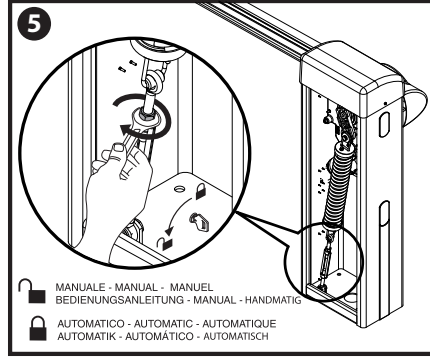
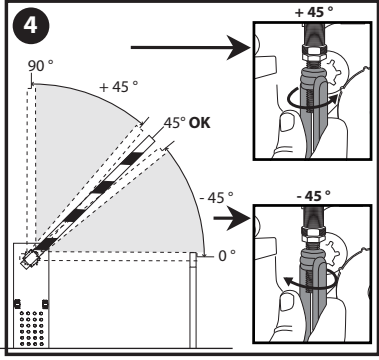
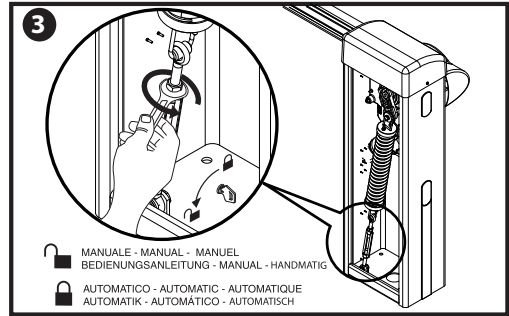
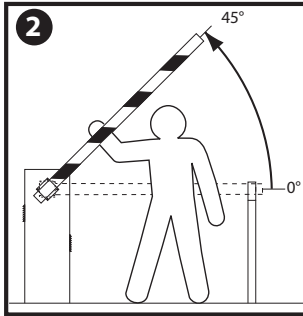
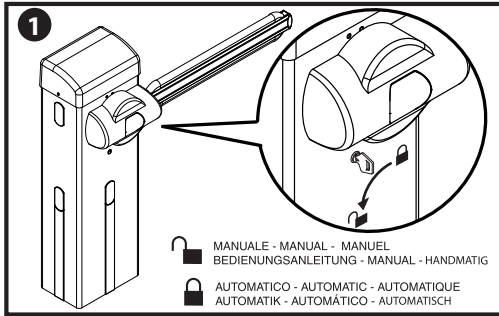
GIOTTO BT / GIOTTO S BT		Accessori: lunghezza utile asta e bilanciamento. / Accessories: working length of boom and balancing. / Accessoires: longueur utile de la barre et équilibrage. / Zubehör: Nutzlänge Schranke und Auswuchtung. / Accesorios: longitud útil mástil y balance. / Accessoires: nuttige lengte slagboom en balancering.																	
		+ SB	+ SB	+ SB	+ SB	+ SB	+ SB	+ SB	+ SB	+ SB	+ SB	+ SB	+ SB	+ SB	+ SB	+ SB	+ SB	+ SB	
SB																			
	PCA																		
(solo sopra l'asta)*1																			
PCA																			
(solo sotto l'asta)*2																			
KIT GTO LIGHT																			
GAM																			
BIR																			
A	MIN L	3,2 m	3,2 m	3,3 m	3,7 m	3,8 m	4 m	4,2 m	4,3 m	4,5 m	4,8 m	3,4 m	3,6 m	4,1 m	4,2 m	4,4 m	4,6 m	4,7 m	5 m
	MAX L	3,5 m	3,6 m	3,7 m	4,2 m	4,3 m	4,5 m	4,7 m	4,8 m	5 m	5 m	3,8 m	4 m	4,5 m	4,6 m	4,9 m	5 m	5 m	5 m
B	MIN L	2,4 m	2,5 m	2,6 m	2,9 m	2,9 m	3,1 m	3,2 m	3,3 m	3,5 m	3,7 m	2,7 m	2,8 m	3,2 m	3,3 m	3,4 m	3,6 m	3,7 m	3,9 m
	MAX L	3,3 m	3,3 m	3,5 m	3,9 m	4 m	4,2 m	4,3 m	4,4 m	4,7 m	5 m	3,5 m	3,7 m	4,2 m	4,3 m	4,5 m	4,7 m	4,9 m	5 m
A	MIN L	2,4 m	2,5 m	2,5 m	2,9 m	2,9 m	2,9 m					2,7 m	2,8 m						
	MAX L	2,7 m	2,7 m	2,8 m	3 m	3 m						2,9 m	3 m						
B	MIN L	1,9 m	2 m	2 m	2,3 m	2,3 m	2,5 m	2,5 m	2,6 m	2,8 m	2,9 m	2,2 m	2,3 m	2,6 m	2,7 m	2,8 m	2,9 m		
	MAX L	2,3 m	2,3 m	2,4 m	2,7 m	2,8 m	2,9 m	3 m	3 m	3 m	3 m	2,5 m	2,6 m	3 m	3 m	3 m	3 m	3 m	
C	MIN L	1 m	1,1 m	1,1 m	1,2 m	1,3 m	1,3 m	1,4 m	1,4 m	1,5 m	1,6 m	1,3 m	1,3 m	1,5 m	1,6 m	1,7 m	1,7 m	1,8 m	1,9 m
	MAX L	1,9 m	2 m	2 m	2,3 m	2,3 m	2,5 m	2,5 m	2,6 m	2,8 m	2,9 m	2,2 m	2,3 m	2,6 m	2,7 m	2,8 m	2,9 m	3 m	3 m
A	MIN L	3,2 m	3,2 m	3,3 m	3,7 m	3,8 m	4 m	4,2 m	4,3 m	4,5 m	4,8 m	3,4 m	3,6 m	4,1 m	4,2 m	4,4 m	4,6 m	4,7 m	5 m
	MAX L	3,5 m	3,6 m	3,7 m	4,2 m	4,3 m	4,5 m	4,7 m	4,8 m	5 m	5 m	3,8 m	4 m	4,5 m	4,6 m	4,9 m	5 m	5 m	5 m



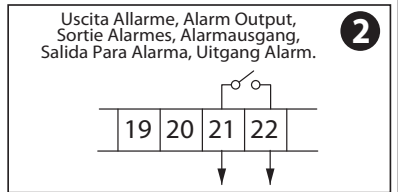
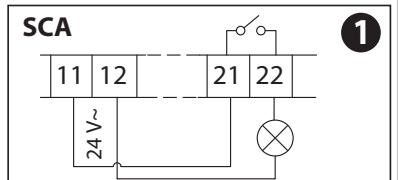
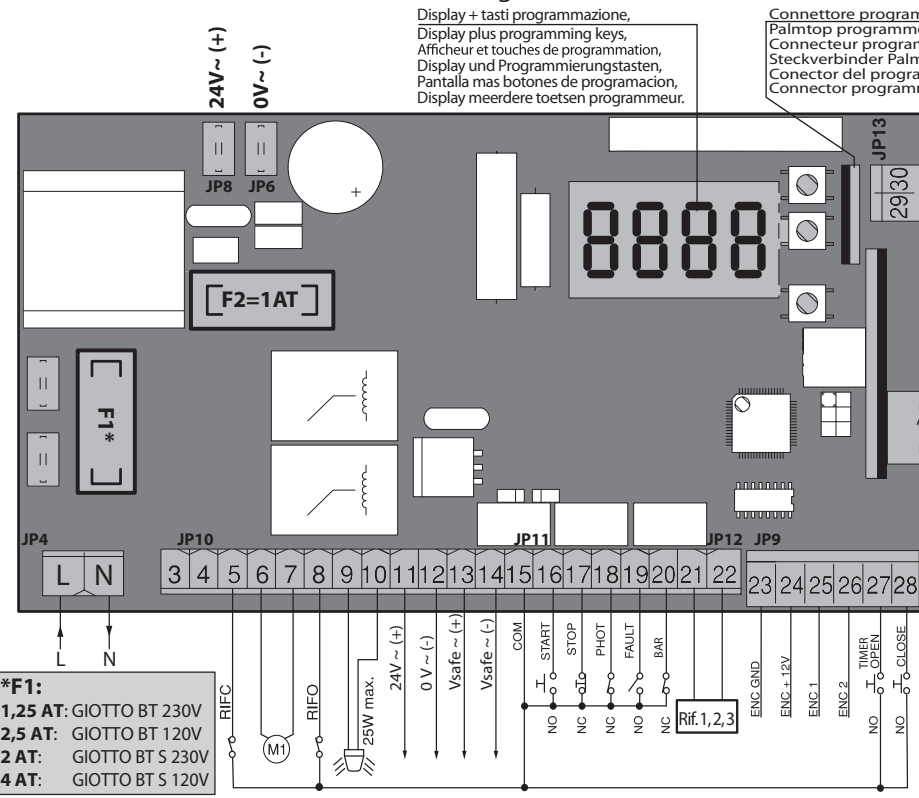
L: Lunghezza utile asta.
 L: Working boom length.
 L: Longueur utile de la barre.
 L: Nutzlänge der Schranke.
 L: Longitud útil mástil.
 L: Nuttige lengte slagboom.

*1
 (above boom only)
 (uniquement sur la barre)
 (nur über der Schranke)
 (solo sobre el mástil)
 (alleen boven de slagboom)

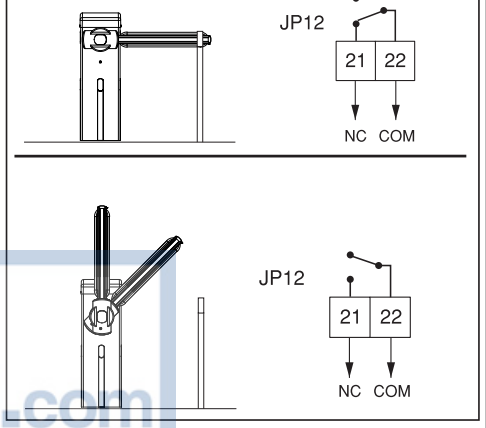
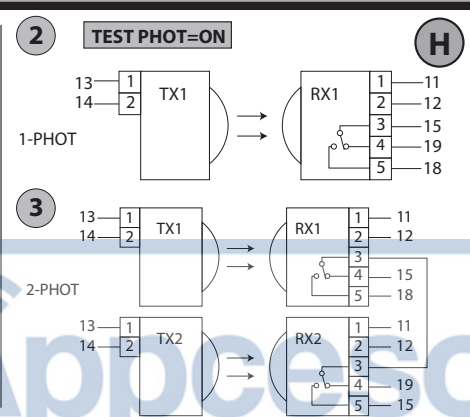
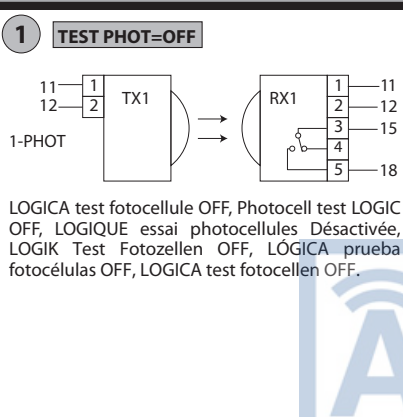
*2
 (below boom only)
 (uniquement sous la barre)
 (nur unter der Schranke)
 (solo debajo el mástil)
 (alleen onder de slagboom)



Collegamenti morsetteria, Terminal board wiring, Branchements sur le bornier, Anschlüsse Klemmleiste, Conexiones tablero de bornes, Aansluitingen aansluitkast.



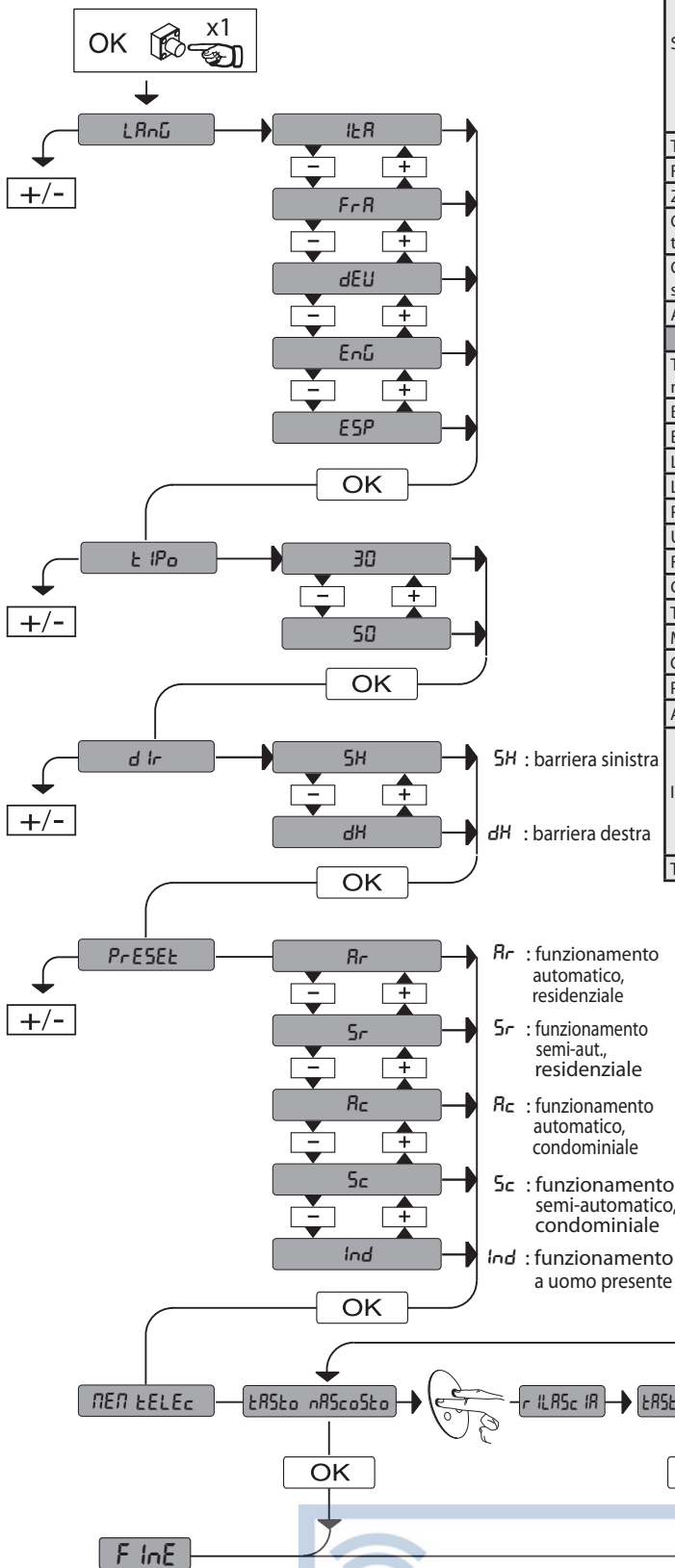
Connessione A Sistema Gestione Parcheggio Parky, Connection To Parky Car-park Management System, Connexion Au Systeme De Gestion Des Parkings Parky, Anschluss An Das Parkplatzbewirtschaftungssystem Parky, Conexion Al Sistema De Gestion De Aparcamien tos Parky, Erbinding Met Beheersysteem Parky-parkeerplaatsen.



MENU SEMPLIFICATO

LEGENDA

+ ↑ Scorri su
- ↓ Scorri giù
OK ↵ Conferma/
 Accensione display
+/- Uscita menu



PRESET	DEFAULT	Rr	Sr	Rc	Sc	Ind
PARAMETRI						
Tempo Chiusura Automatica	10	10	10	5	5	5
Coppia Apertura	75	99	99	99	99	99
Coppia Chiusura	75	99	99	99	99	99
Velocità Apertura	99	99	99	99	99	99
Velocità Chiusura	99	99	99	99	99	99
Spazio Rallentamento	70	60 <small>(GIOTTO BT 30/ GIOTTO S BT 30)</small>	60 <small>(GIOTTO BT 30/ GIOTTO S BT 30)</small>	60 <small>(GIOTTO BT 30/ GIOTTO S BT 30)</small>	60 <small>(GIOTTO BT 30/ GIOTTO S BT 30)</small>	60 <small>(GIOTTO BT 30/ GIOTTO S BT 30)</small>
		70 <small>(GIOTTO BT 50/ GIOTTO S BT 50)</small>	70 <small>(GIOTTO BT 50/ GIOTTO S BT 50)</small>	70 <small>(GIOTTO BT 50/ GIOTTO S BT 50)</small>	70 <small>(GIOTTO BT 50/ GIOTTO S BT 50)</small>	70 <small>(GIOTTO BT 50/ GIOTTO S BT 50)</small>
Tempo Allarme	30	60	60	30	30	30
Frenatura	2	2	2	2	2	2
Zona	0	0	0	0	0	0
Calibrazione Quota Apertura	80	80	80	80	80	80
Calibrazione Quota Chiusura	25	25	25	25	25	25
Accelerazione	3	3	3	3	3	3
LOGICHE						
Tempo Chiusura Automatica	ON	ON	OFF	ON	OFF	OFF
Blocca Impulsi apertura	ON	OFF	OFF	ON	ON	OFF
Blocca Impulsi TCA	OFF	OFF	OFF	OFF	OFF	OFF
Logica 2 Passi	OFF	OFF	OFF	OFF	OFF	OFF
Logica 3 Passi	ON	ON	OFF	ON	OFF	OFF
Preallarme	OFF	OFF	OFF	ON	ON	OFF
Uomo presente	OFF	OFF	OFF	OFF	OFF	ON
Fotocellule in apertura	ON	ON	ON	ON	ON	OFF
Chiusura rapida	OFF	OFF	OFF	OFF	OFF	OFF
Test fotocellule	OFF	OFF	OFF	OFF	OFF	OFF
Master/Slave	OFF	OFF	OFF	OFF	OFF	OFF
Codice Fisso	OFF	OFF	OFF	OFF	OFF	OFF
Programmazione radio	ON	ON	ON	ON	ON	ON
Allarme SCA	ON	ON	ON	OFF	OFF	ON
Inversione direzione	OFF	OFF <small>(sinistro)</small>	OFF <small>(sinistro)</small>	OFF <small>(sinistro)</small>	OFF <small>(sinistro)</small>	OFF <small>(sinistro)</small>
		ON <small>(destra)</small>	ON <small>(destra)</small>	ON <small>(destra)</small>	ON <small>(destra)</small>	ON <small>(destra)</small>
Timer su open	OFF	OFF	OFF	ON	ON	OFF



SIMPLIFIED MENU

D811768 001 00_03

LEGENDA

+ ↑
 - ↓
 OK ↵

Scroll up

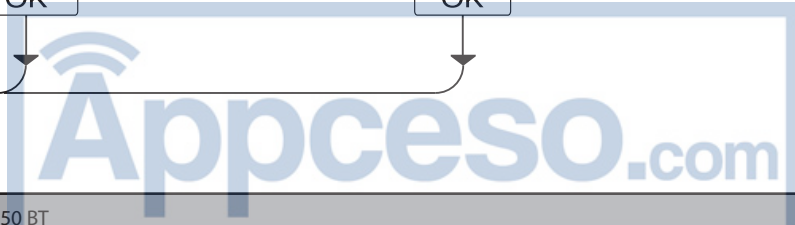
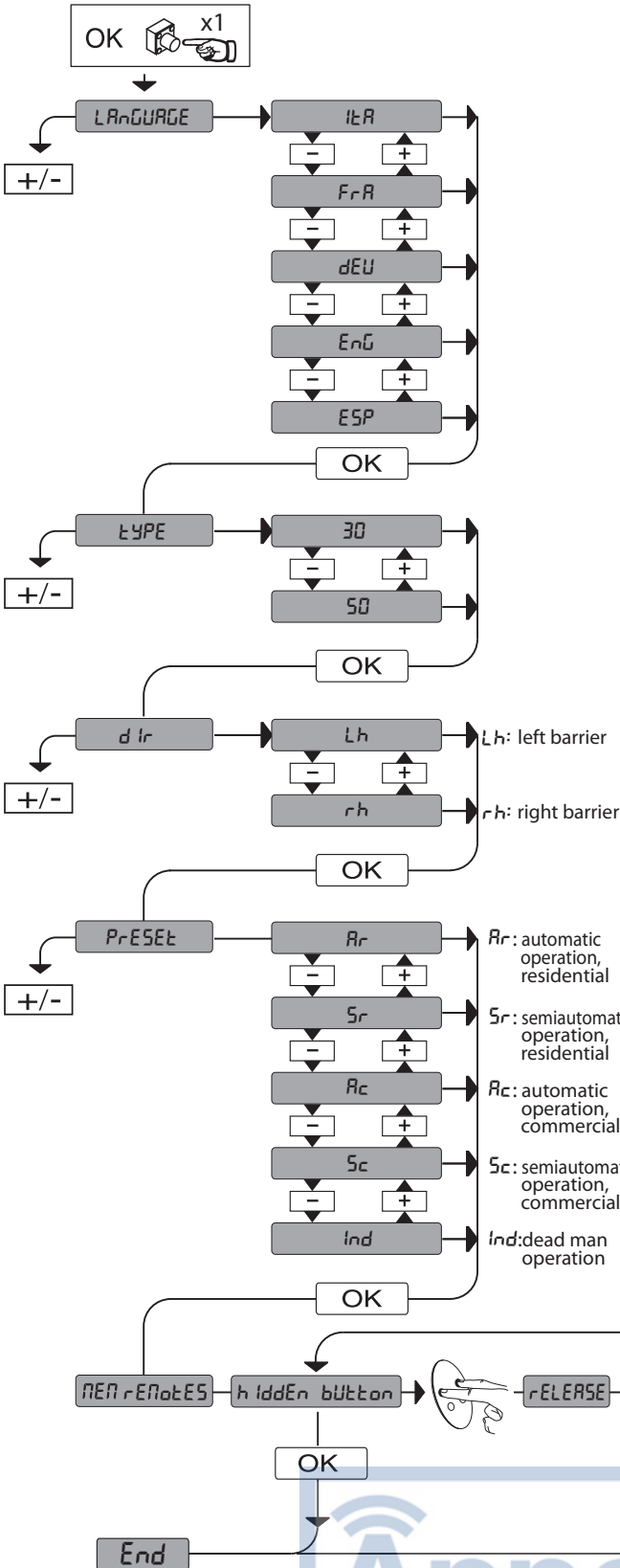
Scroll down

Confirm/Switch on display

+
 -

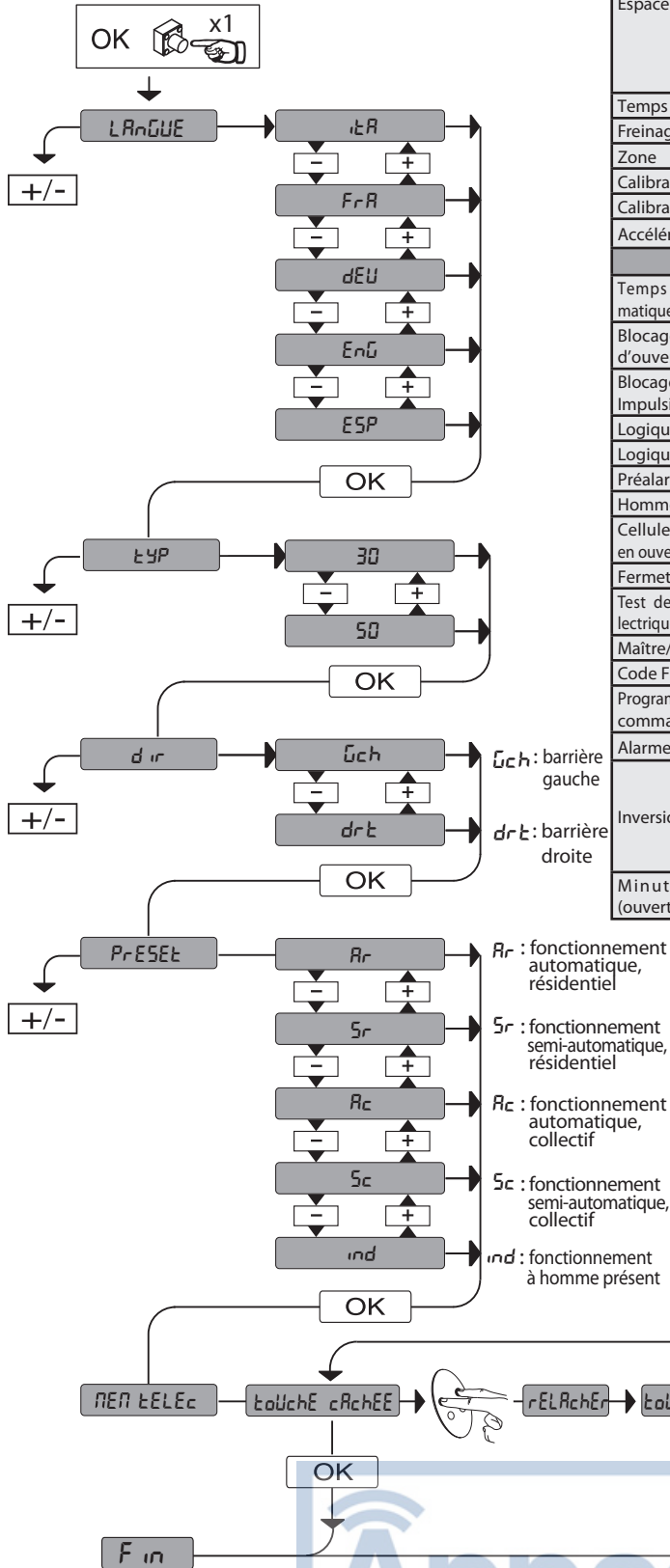
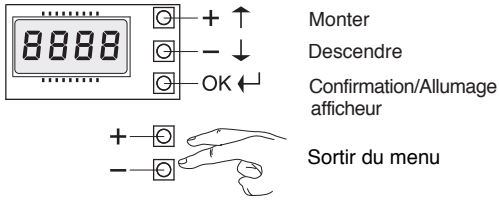
Exit Menu

PRESET	DEFAULT	R _r	S _r	R _c	S _c	ind
PARAMETERS						
Automatic Closing Time	10	10	10	5	5	5
Opening motor torque	75	99	99	99	99	99
Closing motor torque	75	99	99	99	99	99
Speed during opening	99	99	99	99	99	99
Speed during closing	99	99	99	99	99	99
Slow-down distance	70	(GIOTTO BT 30/ GIOTTO S BT 30) 70	(GIOTTO BT 30/ GIOTTO S BT 30) 70	(GIOTTO BT 30/ GIOTTO S BT 30) 70	(GIOTTO BT 30/ GIOTTO S BT 30) 70	(GIOTTO BT 30/ GIOTTO S BT 30) 70
Alarm time	30	60	60	30	30	30
Braking	2	2	2	2	2	2
Zone	0	0	0	0	0	0
Opening value calibration	80	80	80	80	80	80
Closing value calibration	25	25	25	25	25	25
Acceleration	3	3	3	3	3	3
LOGIC						
Automatic Closing Time	ON	ON	OFF	ON	OFF	OFF
Block Pulses	ON	OFF	OFF	ON	ON	OFF
Impulse lock TCA	OFF	OFF	OFF	OFF	OFF	OFF
2 step	OFF	OFF	OFF	OFF	OFF	OFF
3 step	ON	ON	OFF	ON	OFF	OFF
Pre-alarm	OFF	OFF	OFF	ON	ON	OFF
Deadman	OFF	OFF	OFF	OFF	OFF	ON
Photocells during opening	ON	ON	ON	ON	ON	OFF
Rapid closing	OFF	OFF	OFF	OFF	OFF	OFF
Photocell test	OFF	OFF	OFF	OFF	OFF	OFF
Master/slave	OFF	OFF	OFF	OFF	OFF	OFF
Fixed code	OFF	OFF	OFF	OFF	OFF	OFF
Remote control programming	ON	ON	ON	ON	ON	ON
SCA Alarm	ON	ON	ON	OFF	OFF	ON
Reversing motion	OFF	(left) ----- ON (right)	(left) ----- ON (right)	(left) ----- ON (right)	(left) ----- ON (right)	(left) ----- ON (right)
Timer on open	OFF	OFF	OFF	ON	ON	OFF

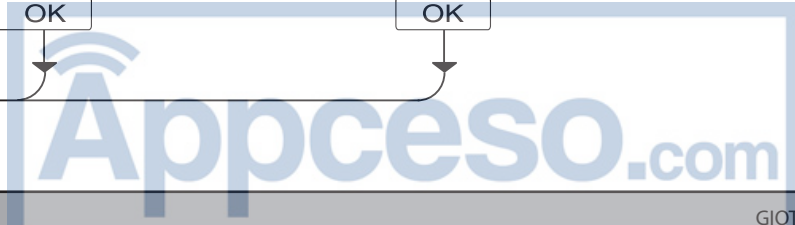


MENU SIMPLIFIÉ

LEGENDA



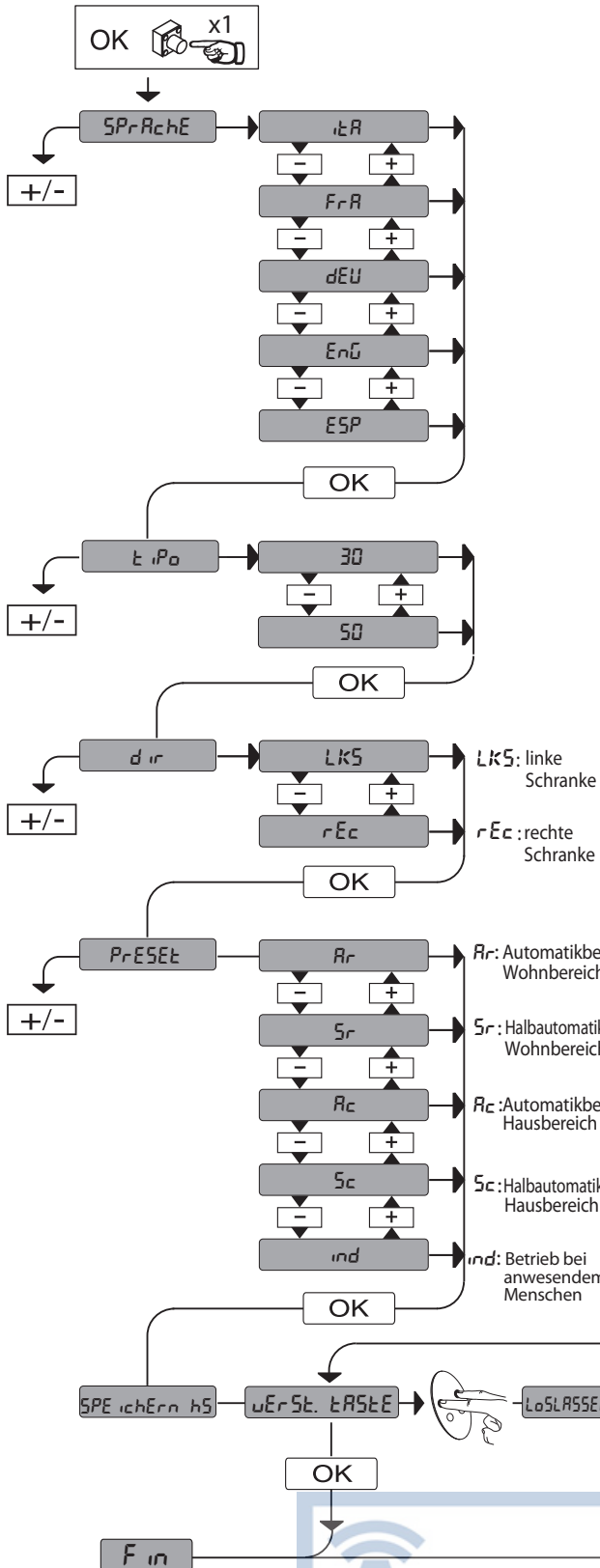
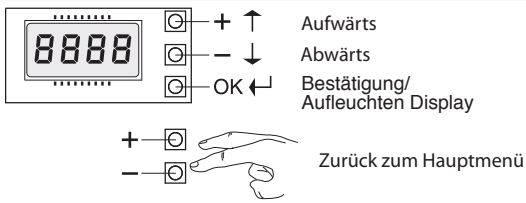
PRESET	DEFAULT	Rr	Sr	Rc	Sc	ind
PARAMÈTRES						
Temps Fermeture Automatique	10	10	10	5	5	5
Couple ouverture	75	99	99	99	99	99
Couple fermeture	75	99	99	99	99	99
Vitesse Ouverture	99	99	99	99	99	99
Vitesse Fermeture	99	99	99	99	99	99
Espace ralentissement	70	60 (GIOTTO BT 30/ GIOTTO S BT 30)	60 (GIOTTO BT 30/ GIOTTO S BT 30)	60 (GIOTTO BT 30/ GIOTTO S BT 30)	60 (GIOTTO BT 30/ GIOTTO S BT 30)	60 (GIOTTO BT 30/ GIOTTO S BT 30)
		70 (GIOTTO BT 50/ GIOTTO S BT 50)	70 (GIOTTO BT 50/ GIOTTO S BT 50)	70 (GIOTTO BT 50/ GIOTTO S BT 50)	70 (GIOTTO BT 50/ GIOTTO S BT 50)	70 (GIOTTO BT 50/ GIOTTO S BT 50)
Temps alarme	30	60	60	30	30	30
Freinage	2	2	2	2	2	2
Zone	0	0	0	0	0	0
Calibrage cote ouverture	80	80	80	80	80	80
Calibrage cote fermeture	25	25	25	25	25	25
Accélération	3	3	3	3	3	3
LOGIQUE						
Temps Fermeture Auto-matique	ON	ON	OFF	ON	OFF	OFF
Blocage des Impulsions d'ouverture	ON	OFF	OFF	ON	ON	OFF
Blocage des Impulsions TCA	OFF	OFF	OFF	OFF	OFF	OFF
Logique 2 pas	OFF	OFF	OFF	OFF	OFF	OFF
Logique 3 pas	ON	ON	OFF	ON	OFF	OFF
Préalarme	OFF	OFF	OFF	ON	ON	OFF
Homme présent	OFF	OFF	OFF	OFF	OFF	ON
Cellules photoélectriques en ouverture	ON	ON	ON	ON	ON	OFF
Fermeture rapide	OFF	OFF	OFF	OFF	OFF	OFF
Test des cellules photoélectrique	OFF	OFF	OFF	OFF	OFF	OFF
Maître/Esclave	OFF	OFF	OFF	OFF	OFF	OFF
Code Fixe	OFF	OFF	OFF	OFF	OFF	OFF
Programmation des radio commandes	ON	ON	ON	ON	ON	ON
Alarme SCA	ON	ON	ON	OFF	OFF	ON
Inversion de Direction	OFF	OFF (gauche) ON (droite)	OFF (gauche) ON (droite)	OFF (gauche) ON (droite)	OFF (gauche) ON (droite)	OFF (gauche) ON (droite)
Minuterie sur Open (ouvert)	OFF	OFF	OFF	ON	ON	OFF



VEREINFACHTES MENÜ

D811768 001 00_03

Legende:



PRESET	DEFAULT	Rr	Sr	Rc	Sc	ind
PARAMETER						
Zeit Schließautomatik	10	10	10	5	5	5
Drehmomente Motoren Öffnung	75	99	99	99	99	99
Drehmoment Motoren Schließung	75	99	99	99	99	99
Geschwindigkeit Öffnung	99	99	99	99	99	99
Geschwindigkeit Schließung	99	99	99	99	99	99
Raum Verlangsamung	70	60 (GIOTTO BT 30/ GIOTTO S BT 30)	60 (GIOTTO BT 30/ GIOTTO S BT 30)	60 (GIOTTO BT 30/ GIOTTO S BT 30)	60 (GIOTTO BT 30/ GIOTTO S BT 30)	60 (GIOTTO BT 30/ GIOTTO S BT 30)
		70 (GIOTTO BT 50/ GIOTTO S BT 50)	70 (GIOTTO BT 50/ GIOTTO S BT 50)	70 (GIOTTO BT 50/ GIOTTO S BT 50)	70 (GIOTTO BT 50/ GIOTTO S BT 50)	70 (GIOTTO BT 50/ GIOTTO S BT 50)
Alarmzeit	30	60	60	30	30	30
Bremmung	2	2	2	2	2	2
Zone	0	0	0	0	0	0
Kalibrierung Öffnungsposition	80	80	80	80	80	80
Kalibrierung Schließposition	25	25	25	25	25	25
Beschleunigung	3	3	3	3	3	3
LOGIK						
Zeit Schließautomatik	ON	ON	OFF	ON	OFF	OFF
Impulssperre in Auf	ON	OFF	OFF	ON	ON	OFF
Impulssperre TCA	OFF	OFF	OFF	OFF	OFF	OFF
2-Schritt-Logik	OFF	OFF	OFF	OFF	OFF	OFF
Schritt-Logik	ON	ON	OFF	ON	OFF	OFF
Voralarm	OFF	OFF	OFF	ON	ON	OFF
Totmannsteuerung	OFF	OFF	OFF	OFF	OFF	ON
Fotozellen bei Öffnung	ON	ON	ON	ON	ON	OFF
Schnellschließung	OFF	OFF	OFF	OFF	OFF	OFF
Lichtschrankentest	OFF	OFF	OFF	OFF	OFF	OFF
Master/Slave	OFF	OFF	OFF	OFF	OFF	OFF
Festcode	OFF	OFF	OFF	OFF	OFF	OFF
Fernbedienungsprogrammierung	ON	ON	ON	ON	ON	ON
Alarmer SCA	ON	ON	ON	OFF	OFF	ON
Reversierung	OFF	OFF (links)	OFF (links)	OFF (links)	OFF (links)	OFF (links)
		ON (rechts)	ON (rechts)	ON (rechts)	ON (rechts)	ON (rechts)
Timer auf open	OFF	OFF	OFF	ON	ON	OFF



MENUS SEMPLIFICADO

LEGENDA

⊕ ↑

⊖ ↓

OK ↵

Desplazar hacia arriba

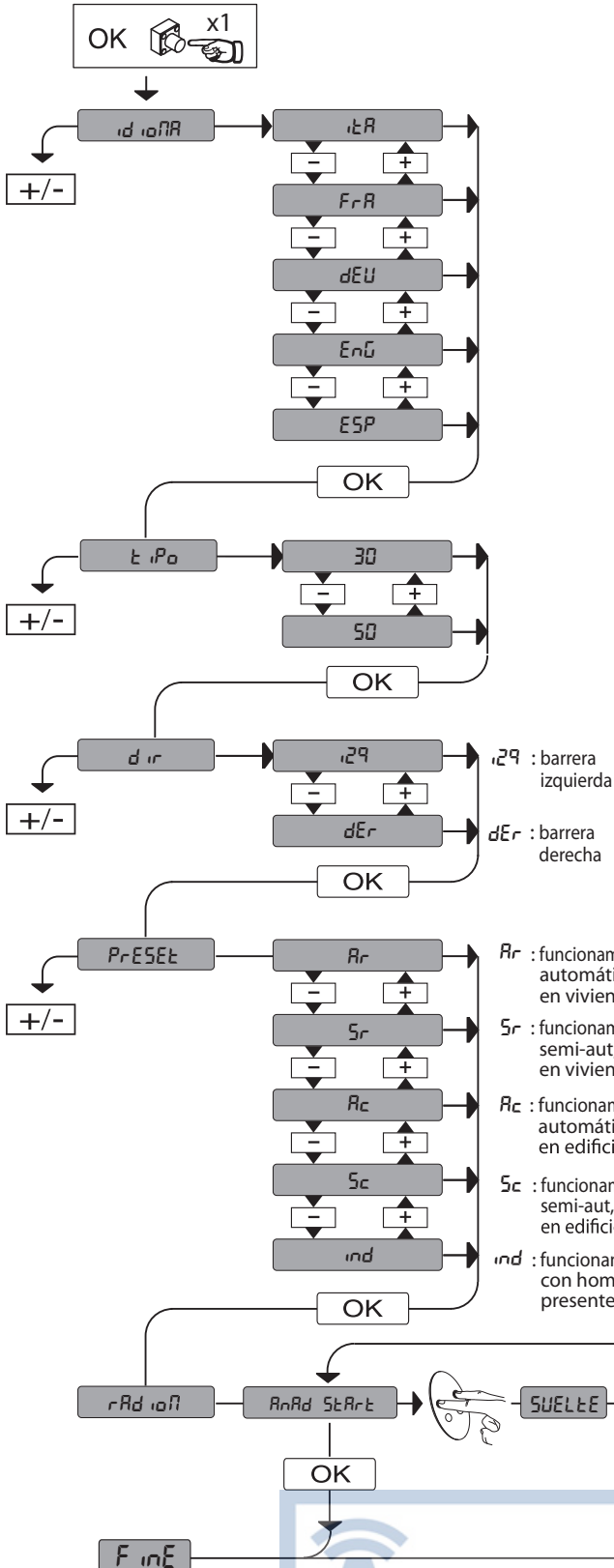
Desplazar hacia abajo

Confirmación/
Encendido pantalla

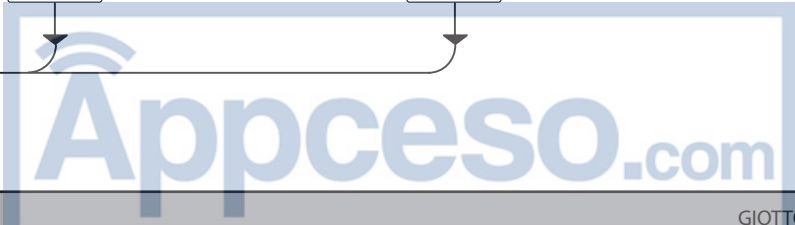
+ ⊖

- ⊖

Retorno al menú principal



PRESET	DEFAULT	Rr	Sr	Rc	Sc	ind
PARÁMETROS						
Tiempo Cierre Auto-mático	10	10	10	5	5	5
Par motores apertura	75	99	99	99	99	99
Par motores cierre	75	99	99	99	99	99
Velocidad en fase de Apertura	99	99	99	99	99	99
Velocidad en fase de cierre	99	99	99	99	99	99
Espacio de deceleración	70	60 <small>(GIOTTO BT 30/ GIOTTO S BT 30)</small> ----- 70 <small>(GIOTTO BT 50/ GIOTTO S BT 50)</small>	60 <small>(GIOTTO BT 30/ GIOTTO S BT 30)</small> ----- 70 <small>(GIOTTO BT 50/ GIOTTO S BT 50)</small>	60 <small>(GIOTTO BT 30/ GIOTTO S BT 30)</small> ----- 70 <small>(GIOTTO BT 50/ GIOTTO S BT 50)</small>	60 <small>(GIOTTO BT 30/ GIOTTO S BT 30)</small> ----- 70 <small>(GIOTTO BT 50/ GIOTTO S BT 50)</small>	60 <small>(GIOTTO BT 30/ GIOTTO S BT 30)</small> ----- 70 <small>(GIOTTO BT 50/ GIOTTO S BT 50)</small>
Tiempo de alarma	30	60	60	30	30	30
Frenado	2	2	2	2	2	2
Zone	0	0	0	0	0	0
Calibrado de la cota de apertura	80	80	80	80	80	80
Calibrado de la cota de cierre	25	25	25	25	25	25
Aceleración	3	3	3	3	3	3
LÓGICA						
Tiempo Cierre Automático	ON	ON	OFF	ON	OFF	OFF
Bloquea Impulsos	ON	OFF	OFF	ON	ON	OFF
Bloquea Impulsos TCA	OFF	OFF	OFF	OFF	OFF	OFF
2 Pasos	OFF	OFF	OFF	OFF	OFF	OFF
3 Pasos	ON	ON	OFF	ON	OFF	OFF
Prealarma	OFF	OFF	OFF	ON	ON	OFF
Hombre presente	OFF	OFF	OFF	OFF	OFF	ON
Fotocélulas en fase de apertura	ON	ON	ON	ON	ON	OFF
Cierre rápido	OFF	OFF	OFF	OFF	OFF	OFF
Prueba de fotocélulas	OFF	OFF	OFF	OFF	OFF	OFF
Master/slave	OFF	OFF	OFF	OFF	OFF	OFF
Código Fijo	OFF	OFF	OFF	OFF	OFF	OFF
Programación radiomandos	ON	ON	ON	ON	ON	ON
Alarma SCA	ON	ON	ON	OFF	OFF	ON
Inversión del movimiento	OFF	OFF <small>(izquierda)</small> ----- ON <small>(derecha)</small>	OFF <small>(izquierda)</small> ----- ON <small>(derecha)</small>	OFF <small>(izquierda)</small> ----- ON <small>(derecha)</small>	OFF <small>(izquierda)</small> ----- ON <small>(derecha)</small>	OFF <small>(izquierda)</small> ----- ON <small>(derecha)</small>
Temporizador en open	OFF	OFF	OFF	ON	ON	OFF



VEREENVOUDIGD MENU

D811768 001 00_03

LEGENDA

+ ↑

- ↓

OK ↵

Doorloop op

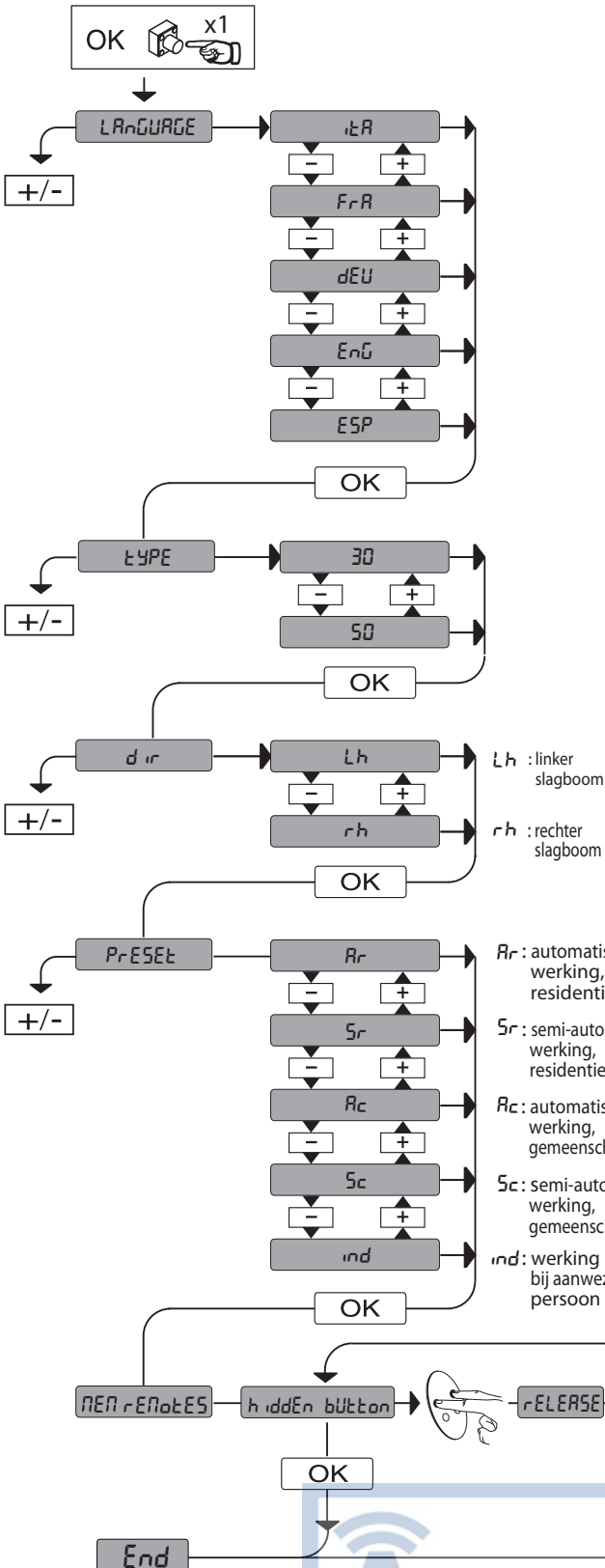
Doorloop neer

Bevestig/Aanschakeling display

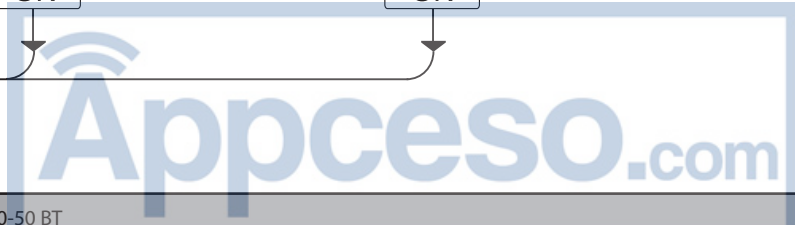
+ ↩

- ↩

Terugkeer naar het hoofdmenu

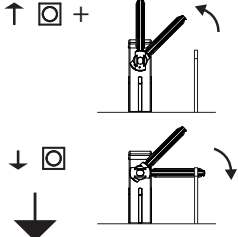


PRESET	DEFAULT	R _r	S _r	R _c	S _c	ind
PARAMETERS						
Tijd Sluiting	10	10	10	5	5	5
Koppel motoren opening	75	99	99	99	99	99
Koppel motoren sluiting	75	99	99	99	99	99
Snelheid in opening	99	99	99	99	99	99
Snelheid in sluiting	99	99	99	99	99	99
Ruimte vertraging	70	(GIOTTO BT 30/ GIOTTO S BT 30) ----- 70	(GIOTTO BT 30/ GIOTTO S BT 30) ----- 70	(GIOTTO BT 30/ GIOTTO S BT 30) ----- 70	(GIOTTO BT 30/ GIOTTO S BT 30) ----- 70	(GIOTTO BT 30/ GIOTTO S BT 30) ----- 70
Tijd alarm	30	60	60	30	30	30
Afremming	2	2	2	2	2	2
Zone	0	0	0	0	0	0
Kalibratie openings-hoek	80	80	80	80	80	80
Kalibratie sluitings-hoek	25	25	25	25	25	25
Versnelling	3	3	3	3	3	3
LOGIC						
Tijd Automatische Sluiting	ON	ON	OFF	ON	OFF	OFF
Blokkeerimpulsen opening	ON	OFF	OFF	ON	ON	OFF
Blokkeer Impulsen TCA	OFF	OFF	OFF	OFF	OFF	OFF
2-staps logica	OFF	OFF	OFF	OFF	OFF	OFF
3-staps logica	ON	ON	OFF	ON	OFF	OFF
Vooralarm	OFF	OFF	OFF	ON	ON	OFF
Persoon Aanwezig	OFF	OFF	OFF	OFF	OFF	ON
Fotocellen bij opening	ON	ON	ON	ON	ON	OFF
Snelle sluiting	OFF	OFF	OFF	OFF	OFF	OFF
Test fotocellen	OFF	OFF	OFF	OFF	OFF	OFF
Master/Slave	OFF	OFF	OFF	OFF	OFF	OFF
Vaste Code	OFF	OFF	OFF	OFF	OFF	OFF
Programmering afstandsbedieningen	ON	ON	ON	ON	ON	ON
Alarm SCA	ON	ON	ON	OFF	OFF	ON
Omkering van Richting	OFF	OFF (links) ----- ON (rechts)	OFF (links) ----- ON (rechts)	OFF (links) ----- ON (rechts)	OFF (links) ----- ON (rechts)	OFF (links) ----- ON (rechts)
Timer op open	OFF	OFF	OFF	ON	ON	OFF



REGOLAZIONI PRELIMINARI, PRELIMINARY ADJUSTMENTS, RÉGLAGES PRÉALABLES, VORLÄUFIGE EINSTELLUNGEN, REGULACIONES PRELIMINARES, VOORLOPIGE AFSTELLINGEN.

I



Modificare i valori seguenti fino a raggiungere il movimento dell'asta desiderato,
 Edit the following values until you are happy with boom movement,
 Modifiez les valeurs suivantes jusqu'à ce que la barre se déplace de la façon voulue,
 Die folgenden Werte verändern, bis die gewünschte Bewegung der Stange erzielt wird,
 Modificar los siguientes valores hasta lograr el movimiento deseado del mástil,
 Onderstaande waarden wijzigen tot de beweging van de gewenste stang bereikt wordt.

OK x 2

PRrRn

OK

cRL AP. - oPEr cRL
 cRL oUu. - oFF. HRL. → OK → [80] default → P1 ↑+ / P2 ↓- → PrG oH

cRL ch-cloS cRL ib.
 -cRLFErR. -SchHRL
 -cRLc iE → OK → [25] default → P1 ↑+ / P2 ↓- → PrG oH

uEL AP. - oP. SPEEd
 - u it oUu -
 oFFnUnGSGESchu → OK → [99] default → P1 ↑+ / P2 ↓- → PrG oH

uEL ch. - cL. SPEEd
 - u it FErR -
 SchL iEbGESchu → OK → [99] default → P1 ↑+ / P2 ↓- → PrG oH

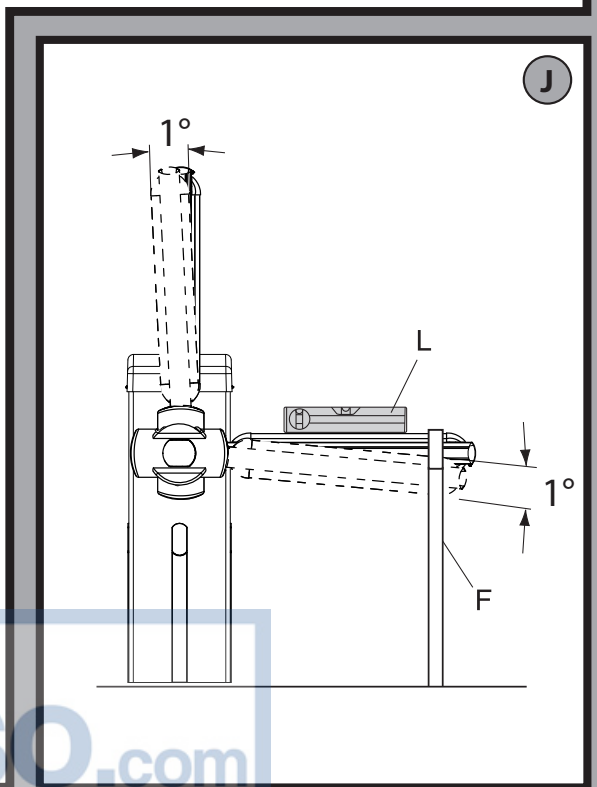
SPR2 io rALL -
 d iStSLoUd -
 ESPrRL - ESPdEcEL → OK → [70] default → P1 ↑+ / P2 ↓- → PrG oH

RccEL. - RccELer -
 RccEL - bESchLEUn GUnG → OK → [3] default → P1 ↑+ / P2 ↓- → PrG oH

FrEno - brAKE -
 FrE in - brENSE → OK → [2] default → P1 ↑+ / P2 ↓- → PrG oH

+
 - x 2

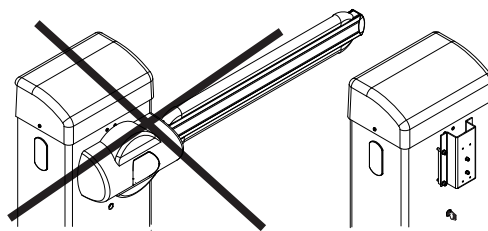
F inE-End-F in



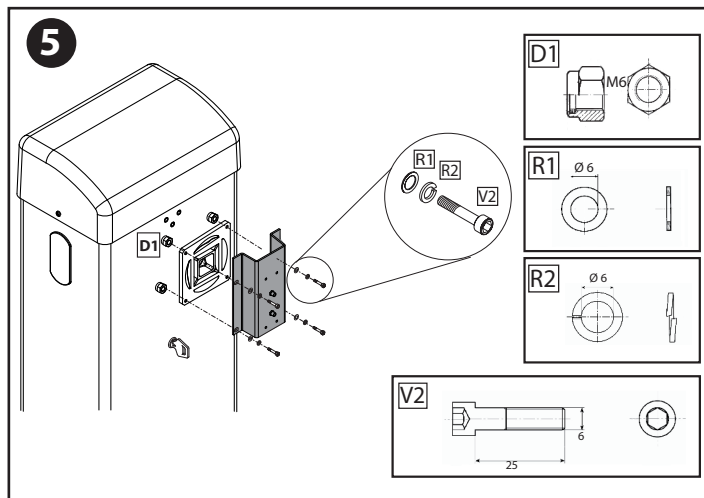
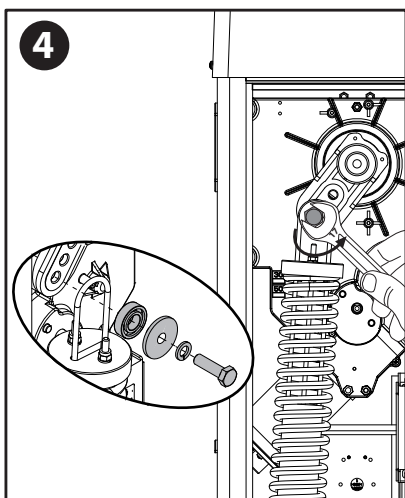
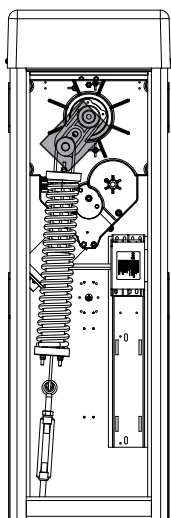
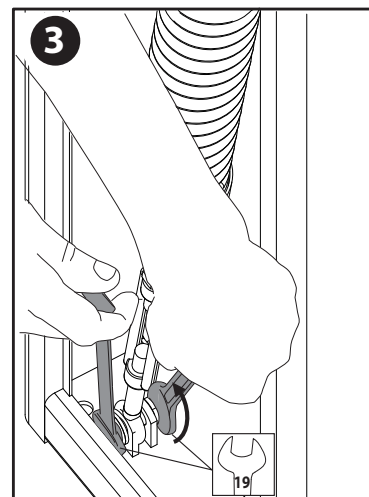
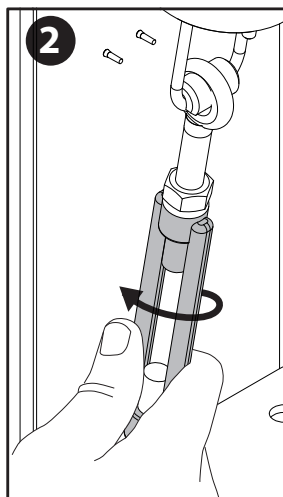
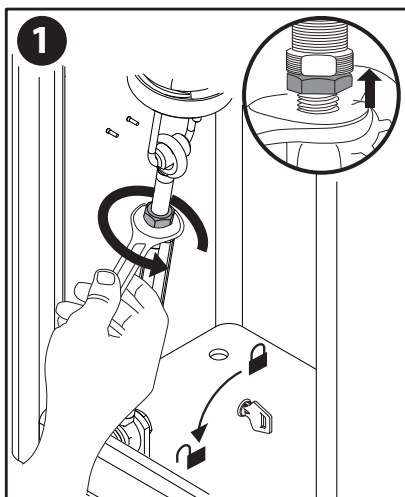
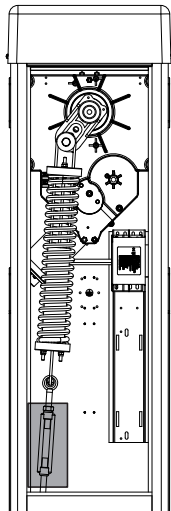
MONTAGGIO ASTA DESTRA, ASSEMBLY OF RIGHT BOOM, MONTAGE DE LA BARRE DROITE, RECHTE MONTAGE DER STANGE, MONTAJE MÁSTIL DERECHO, MONTAGE RECHTERSTANG.

AA

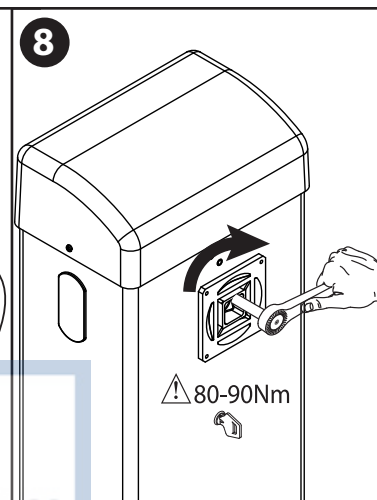
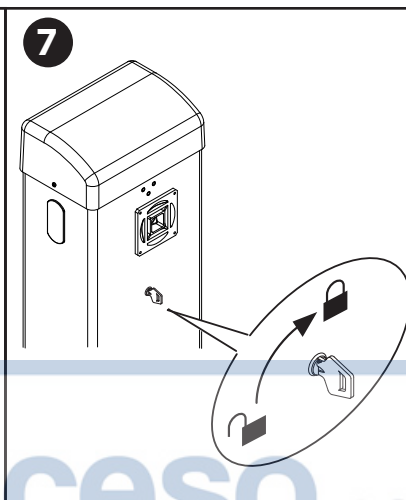
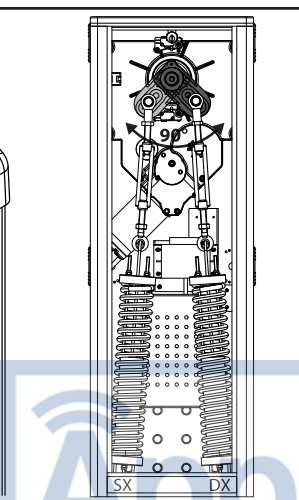
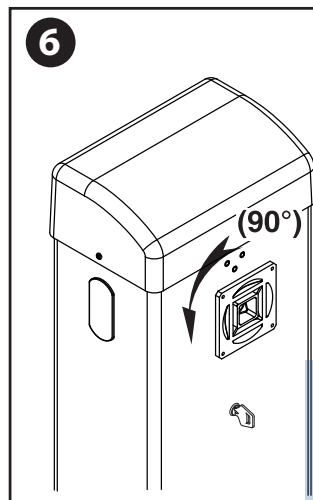
Assicurarsi che la molla non sia in tensione, e l'asta non sia montata.
 Make sure the spring is not under tension and the boom is not fitted.
 Vérifiez si le ressort n'est pas en tension et si la tige n'est pas montée.
 Sicherstellen, dass die Feder nicht gespannt und die Stange nicht montiert ist.
 Asegurarse de que el muelle no esté tensado y de que el mástil no esté montado.
 Controleren of de veer niet onder spanning staat, en de stang niet gemonteerd is.



Smontare il gruppo molla, Remove the spring assembly, Démontez le groupe ressort, Die Feder-Baugruppe ausbauen, Desmontar el grupo muelle, De groep veer demonteren.

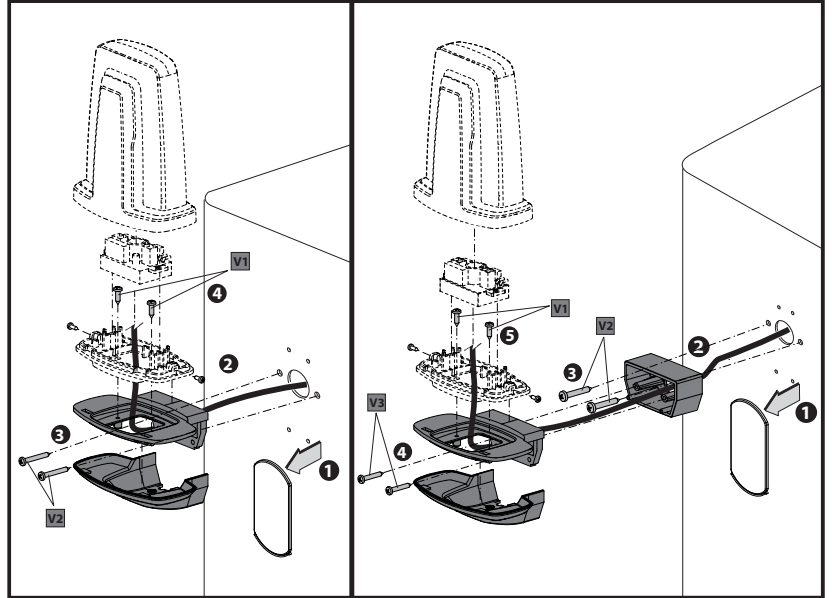
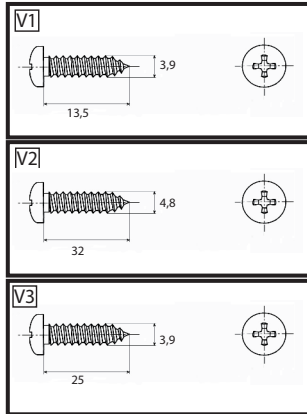
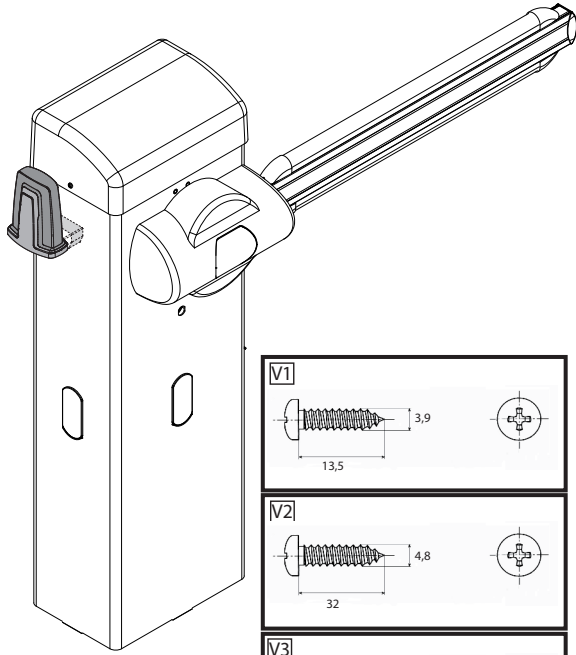


Rimontare il gruppo molla a destra, Refit the right-hand spring assembly, Remontez le groupe ressort à droite, Die Baugruppe neu montieren, Feder rechts, Volver a montar el grupo muelle a la derecha, De veergroep opnieuw rechts monteren.



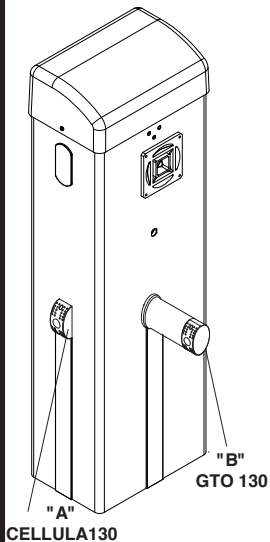
Montaggio lampeggiante, Assembling the flashing light, Montage du clignotant, Montage Blinkleuchte, Montaje luz intermitente, Montage knipperlicht.

AC

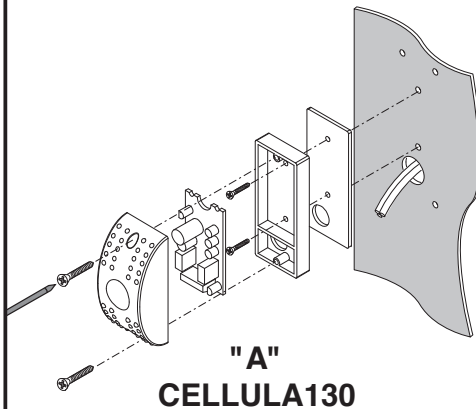


Montaggio Fotocellula Cellula 130 / GTO 130, Assembling Photocell 130/GTO 130, Montage Photocellule Cellula 130 / GTO 130, Montage Fotozelle Cellula 130 / GTO 130, Montaje Fotocélula Cellula 130 / GTO 130, Montage Fotocel Cellula 130 / GTO 130.

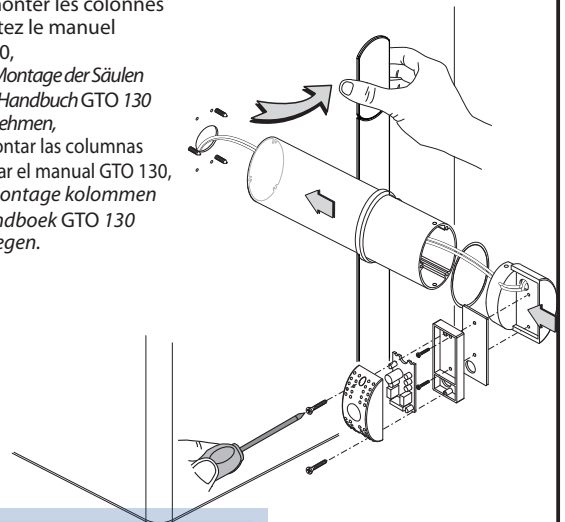
AD

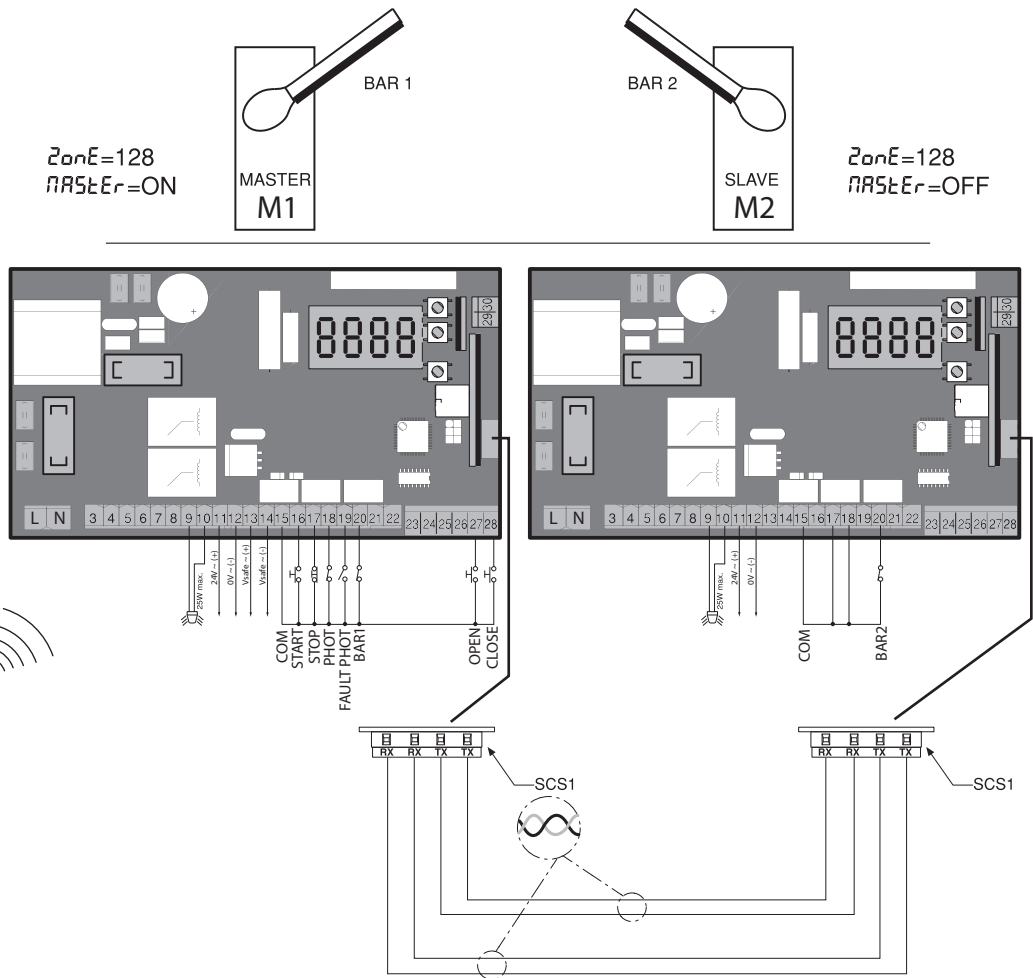
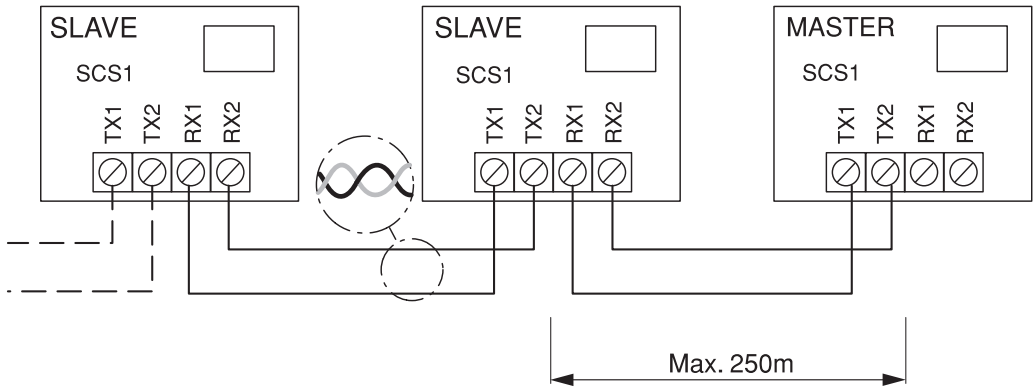


Fare riferimento al manuale Cellula 130,
Refer to PHOTOCELL 130 manual,
Consultez le Manuel CELLULA 130,
Auf das Handbuch CELLULA 130 Bezug nehmen,
Consultar el manual CELLULA 130,
Het handboek CELLULA 130 raadplegen.



Per montaggio colonnine-
fare riferimento al
manuale GTO 130,
Refer to GTO 130 manual
for assembly of stations,
Pour monter les colonnes
consultez le manuel
GTO130,
Für die Montage der Säulen
auf das Handbuch GTO 130
Bezug nehmen,
Para montar las columnas
consultar el manual GTO 130,
Voor montage kolommen
het handboek GTO 130
raadplegen.





ACCESSO AI MENU Fig. 1

LEGENDA

+ ↑ Scorri su

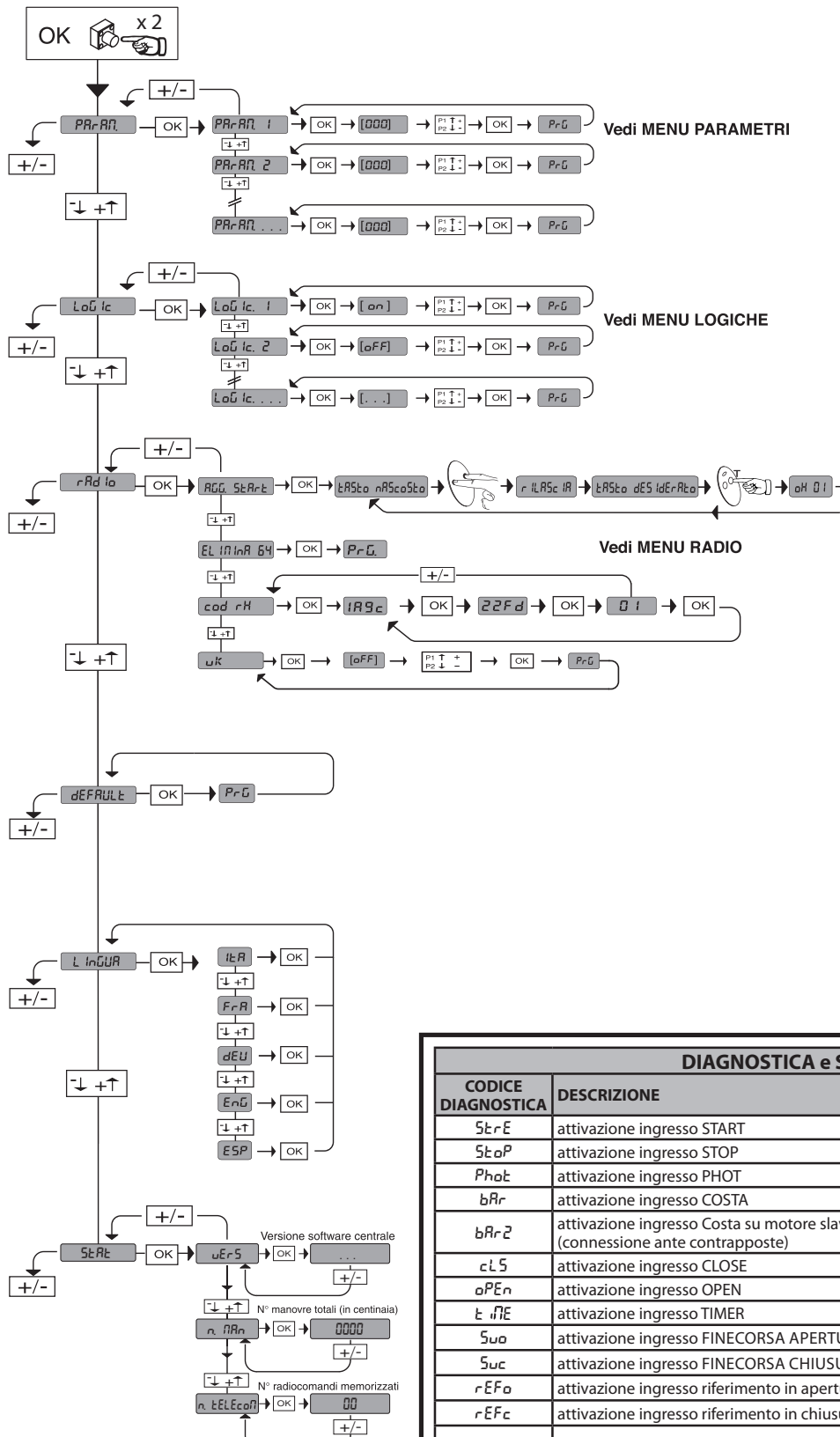
- ↓ Scorri giù

OK ← Conferma/ Accensione display

+ []

- []

Uscita menu



Vedi MENU PARAMETRI

Vedi MENU LOGICHE

Vedi MENU RADIO

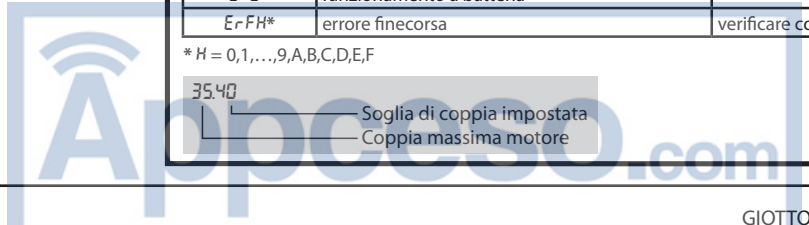
DIAGNOSTICA e SEGNALAZIONI		
CODICE DIAGNOSTICA	DESCRIZIONE	NOTE
StErE	attivazione ingresso START	
StoP	attivazione ingresso STOP	
PhoK	attivazione ingresso PHOT	
bRr	attivazione ingresso COSTA	
bRr2	attivazione ingresso Costa su motore slave (connessione ante contrapposte)	
cL5	attivazione ingresso CLOSE	
oPEn	attivazione ingresso OPEN	
t nE	attivazione ingresso TIMER	
Suo	attivazione ingresso FINECORSA APERTURA	
Suc	attivazione ingresso FINECORSA CHIUSURA	
rEFo	attivazione ingresso riferimento in apertura	
rEFc	attivazione ingresso riferimento in chiusura	
Er01	errore test fotocellule	verificare collegamento fotocellule e/o impostazioni logiche
Er1H*	errore test hardware scheda	verificare collegamenti al motore
Er2H*	Errore encoder	cavi di alimentazione del motore o del segnale encoder invertiti/scollegati
Er3H*	inversione per ostacolo	verificare eventuali ostacoli lungo il percorso
Er4H*	errore termica	attendere il raffreddamento del motore
Er5H*	anomalia comunicazione con dispositivi remoti	verificare collegamenti seriale Scs1
Er61	funzionamento a batteria	
ErFH*	errore finecorsa	verificare collegamenti dei finecorsa

* H = 0,1,...,9,A,B,C,D,E,F

35.40

Soglia di coppia impostata

Coppia massima motore



ATTENZIONE! Importanti istruzioni di sicurezza. Leggere e seguire attentamente tutte le avvertenze e le istruzioni che accompagnano il prodotto poiché un'installazione errata può causare danni a persone, animali o cose. Le avvertenze e le istruzioni forniscono importanti indicazioni riguardanti la sicurezza, l'installazione, l'uso e la manutenzione. Conservare le istruzioni per allegarle al fascicolo tecnico e per consultazioni future.

SICUREZZA GENERALE

Questo prodotto è stato progettato e costruito esclusivamente per l'utilizzo indicato in questa documentazione. Usi diversi da quanto indicato potrebbero essere causa di danni al prodotto e di pericolo.

- Gli elementi costruttivi della macchina e l'installazione devono essere in accordo con le seguenti Direttive Europee, ove applicabili: 2004/108/CE, 2006/95/CE, 2006/42/CE, 89/106/CE, 99/05/CE e loro modifiche successive. Per tutti i Paesi extra CEE, oltre alle norme nazionali vigenti, per un buon livello di sicurezza è opportuno rispettare anche le norme citate.
- La Ditta costruttrice di questo prodotto (di seguito "Ditta") declina qualsiasi responsabilità derivante da un uso improprio o diverso da quello per cui è destinato e indicato nella presente documentazione nonché dall'inosservanza della Buona Tecnica nella costruzione delle chiusure (porte, cancelli, ecc.) e dalle deformazioni che potrebbero verificarsi durante l'uso.
- Prima di installare il prodotto apportare tutte le modifiche strutturali relative alle realizzazioni dei franchi di sicurezza a alla protezione o segregazione di tutte le zone di schiacciamento, cesoiamento, convogliamento e di pericolo in genere, secondo quanto previsto dalle norme EN 12604 ed 12453 o eventuali norme locali di installazione. Verificare che la struttura esistente abbia i necessari requisiti di robustezza e stabilità.
- Prima di iniziare l'installazione verificare l'integrità del prodotto.
- La Ditta non è responsabile della inosservanza della Buona Tecnica nella costruzione e manutenzione degli infissi da motorizzare, nonché delle deformazioni che dovessero intervenire nell'utilizzo.
- Verificare che l'intervallo di temperatura dichiarato sia compatibile con il luogo destinato all'installazione dell'automazione.
- Non installare questo prodotto in atmosfera esplosiva: la presenza di gas o fumi infiammabili costituisce un grave pericolo per la sicurezza.
- Togliere l'alimentazione elettrica, prima di qualsiasi intervento sull'impianto. Scollegare anche eventuali batterie tampone se presenti.
- Prima di collegare l'alimentazione elettrica, accertarsi che i dati di targa corrispondano ai quelli della rete di distribuzione elettrica e che a monte dell'impianto elettrico vi siano un interruttore differenziale e una protezione da sovracorrente adeguati. Prevedere sulla rete di alimentazione dell'automazione, un interruttore o un magnetotermico omipolare con distanza di apertura dei contatti conforme a quanto previsto dalle norme vigenti.
- Verificare che a monte della rete di alimentazione, vi sia un interruttore differenziale con soglia non superiore a 0.03A e a quanto previsto dalle norme vigenti.
- Verificare che l'impianto di terra sia realizzato correttamente: collegare a terra tutte le parti metalliche della chiusura (porte, cancelli, ecc.) e tutti i componenti dell'impianto provvisti di morsetto di terra.
- L'installazione deve essere fatta utilizzando dispositivi di sicurezza e di comandi conformi alla EN 12978 e EN 12453.
- Le forze di impatto possono essere ridotte mediante l'utilizzo di bordi deformabili.
- Nel caso in cui le forze di impatto superino i valori previsti dalle norme, applicare dispositivi elettrosensibili o sensibili alla pressione.
- Applicare tutti i dispositivi di sicurezza (fotocellule, coste sensibili, ecc.) necessari a proteggere l'area da pericoli di impatto, schiacciamento, convogliamento, cesoiamento. Tenere in considerazione le normative e le direttive in vigore, i criteri della Buona Tecnica, l'utilizzo, l'ambiente di installazione, la logica di funzionamento del sistema e le forze sviluppate dall'automazione.
- Applicare i segnali previsti dalle normative vigenti per individuare le zone pericolose (i rischi residui). Ogni installazione deve essere identificata in modo visibile secondo quanto prescritto dalla EN 13241-1.
- Successivamente al completamento dell'installazione, applicare una targa identificativa della porta/cancello.
- Questo prodotto non può essere installato su ante che incorporano delle porte (a meno che il motore sia azionabile esclusivamente a porta chiusa).
- Se l'automazione è installata ad una altezza inferiore a 2,5 m o se è accessibile, è necessario garantire un adeguato grado di protezione delle parti elettriche e meccaniche.
- Installare qualsiasi comando fisso in posizione tale da non causare pericoli e lontano da parti mobili. In particolare i comandi a uomo presente devono essere posizionati in vista diretta della parte guidata, e, a meno che non siano a chiave, devono essere installati a una altezza minima di 1,5 m e in modo tale da non essere accessibili al pubblico.
- Applicare almeno un dispositivo di segnalazione luminosa (lampeggiante) in posizione visibile, fissare inoltre alla struttura un cartello di Attenzione.
- Fissare in modo permanente una etichetta relativa al funzionamento dello sblocco manuale dell'automazione e apporla vicino all'organo di manovra.
- Assicurarsi che durante la manovra siano evitati o protetti i rischi meccanici ed in particolare l'impatto, lo schiacciamento, il convogliamento, il cesoiamento tra parte guidata e parti circostanti.
- Dopo aver eseguito l'installazione, assicurarsi che il settaggio dell'automazione motore sia correttamente impostato e che i sistemi di protezione e di sblocco funzionino correttamente.
- Usare esclusivamente parti originali per qualsiasi manutenzione o riparazione. La Ditta declina ogni responsabilità ai fini della sicurezza e del buon funzionamento dell'automazione se vengono impiegati componenti di altri produttori.
- Non eseguire alcuna modifica ai componenti dell'automazione se non espressamente autorizzata dalla Ditta.
- Istruire l'utilizzatore dell'impianto per quanto riguarda gli eventuali rischi residui, i sistemi di comando applicati e l'esecuzione della manovra apertura manuale in caso di emergenza: consegnare il manuale d'uso all'utilizzatore finale.
- Smaltire i materiali di imballo (plastica, cartone, polistirolo, ecc.) secondo quanto previsto dalle norme vigenti. Non lasciare buste di nylon e polistirolo alla portata dei bambini.

COLLEGAMENTI

ATTENZIONE! Per il collegamento alla rete utilizzare: cavo multipolare di sezione minima 5x1,5mm² o 4x1,5mm² per alimentazioni trifase oppure 3x1,5mm² per alimentazioni monofase (a titolo di esempio, il cavo può essere del tipo H05 VV-F con sezione 4x1,5mm²). Per il collegamento degli ausiliari utilizzare conduttori con sezione minima di 0,5 mm².

- Utilizzare esclusivamente pulsanti con portata non inferiore a 10A-250V.
- I conduttori devono essere vincolati da un fissaggio supplementare in prossimità dei morsetti (per esempio mediante fascette) al fine di tenere nettamente separate le parti in tensione dalle parti in bassissima tensione di sicurezza.
- Il cavo di alimentazione, durante l'installazione, deve essere sguainato in modo da permettere il collegamento del conduttore di terra all'appropriato morsetto lasciando però i conduttori attivi il più corti possibile. Il conduttore di terra deve essere l'ultimo a tendersi in caso di allentamento del dispositivo di fissaggio del cavo.
- ATTENZIONE!** i conduttori a bassissima tensione di sicurezza devono essere fisicamente separati dai conduttori a bassa tensione.
- L'accessibilità alle parti in tensione deve essere possibile esclusivamente per il personale qualificato (installatore professionale)

VERIFICA DELL'AUTOMAZIONE E MANUTENZIONE

Prima di rendere definitivamente operativa l'automazione, e durante gli interventi di manutenzione, controllare scrupolosamente quanto segue:

- Verificare che tutti i componenti siano fissati saldamente;
- Verificare l'operazione di avvio e fermata nel caso di comando manuale.
- Verificare la logica di funzionamento normale o personalizzata.
- Solo per cancelli scorrevoli: verificare il corretto ingranamento cremagliera - pignone con un gioco di 2 mm lungo tutta la cremagliera; tenere la rotaia di scorrimento sempre pulita e libera da detriti.
- Solo per cancelli e porte scorrevoli: verificare che il binario di scorrimento del cancello sia lineare, orizzontale e le ruote siano idonee a sopportare il peso del cancello.
- Solo per cancelli scorrevoli sospesi (Cantilever): verificare che non ci sia abbassamento o oscillazione durante la manovra.
- Solo per cancelli a battente: verificare che l'asse di rotazione delle ante sia perfettamente verticale.
- Controllare il corretto funzionamento di tutti i dispositivi di sicurezza (fotocellule, coste sensibili, ecc) e la corretta regolazione della sicurezza antischiacciamento verificando che il valore della forza d'impatto misurato nei punti previsti dalla norma EN 12445, sia inferiore a quanto indicato nella norma EN 12453.
- Le forze di impatto possono essere ridotte mediante l'utilizzo di bordi deformabili.
- Verificare la funzionalità della manovra di emergenza ove presente.
- Verificare l'operazione di apertura e chiusura con i dispositivi di comando applicati.
- Verificare l'integrità delle connessioni elettriche e dei cablaggi, in particolare lo stato delle guaine isolanti e dei pressa cavi.
- Durante la manutenzione eseguire la pulizia delle ottiche delle fotocellule.
- Per il periodo di fuori servizio dell'automazione, attivare lo sblocco di emergenza (vedi paragrafo "MANOVRA DI EMERGENZA") in modo da rendere folle la parte guidata e permettere così l'apertura e la chiusura manuale del cancello.
- Se il cavo di alimentazione è danneggiato, esso deve essere sostituito dal costruttore o dal suo servizio di assistenza tecnica o comunque da una persona con qualifica simile, in modo da prevenire ogni rischio.
- Se si installano dispositivi di tipo "D" (come definiti dalla EN12453), collegati in modalità non verificata, prescrivere una manutenzione obbligatoria con frequenza almeno semestrale.

ATTENZIONE!

Ricordarsi che la motorizzazione è una facilitazione dell'uso del cancello/porta e non risolve problemi a difetti e deficienze di installazione o di mancata manutenzione.

DEMOLIZIONE

L'eliminazione dei materiali va fatta rispettando le norme vigenti. Nel caso di demolizione dell'automazione non esistono particolari pericoli o rischi derivanti dall'automazione stessa.

È opportuno, in caso di recupero dei materiali, che vengano separati per tipologia (parti elettriche - rame - alluminio - plastica - ecc.).

SMANTELLAMENTO

Nel caso l'automazione venga smontata per essere poi rimontata in altro sito bisogna:

- Togliere l'alimentazione e scollegare tutto l'impianto elettrico.
- Togliere l'attuatore dalla base di fissaggio.
- Smontare tutti i componenti dell'installazione.
- Nel caso alcuni componenti non possano essere rimossi o risultino danneggiati, provvedere alla loro sostituzione.

Tutto quello che non è espressamente previsto nel manuale d'installazione, non è permesso. Il buon funzionamento dell'operatore è garantito solo se vengono rispettati i dati riportati. La ditta non risponde dei danni causati dall'inosservanza delle indicazioni riportate in questo manuale.
Lasciando inalterate le caratteristiche essenziali del prodotto, la Ditta si riserva di apportare in qualunque momento le modifiche che essa ritiene convenienti per migliorare tecnicamente, costruttivamente e commercialmente il prodotto, senza impegnarsi ad aggiornare la presente pubblicazione.

2) GENERALITÀ

Barriera elettromeccanica compatta adatta a limitare aree private, parcheggi, accessi per uso esclusivamente veicolare. Disponibili per passaggi da 3 a 5 metri. Finecorsa elettronici regolabili, garantiscono la corretta posizione d'arresto dell'asta.

Lo sblocco di emergenza per la manovra manuale è comandato da una serratura con chiave personalizzata.

L'attuatore viene sempre fornito predisposto per il montaggio a sinistra. In caso di necessità è comunque possibile invertire il senso di apertura con semplici operazioni.

La base di fondazione mod. CBO (a richiesta) agevola l'installazione della barriera.

Apposite predisposizioni facilitano l'installazione degli accessori.

Il quadro comandi **LIBRA-C-G/LIBRA-C-GS** viene fornito dal costruttore con settaggio standard. Qualsiasi variazione deve essere impostata mediante display incorporato o mediante programmatore universale.

3) DATI TECNICI

MOTORE	
Alimentazione	230V±10% 50Hz(*)
Potenza assorbita max	300W (GIOTTO S BT 30/ GIOTTO S BT 50) 250W (GIOTTO BT 30/GIOTTO BT 50)
Lubrificazione interna	grasso permanente
Coppia max	280 Nm (GIOTTO S BT 30)
	380 Nm (GIOTTO S BT 50)
	250 Nm (GIOTTO BT 30)
	350 Nm (GIOTTO BT 50)
Tempo di apertura	2,5s (GIOTTO S BT 30)
	4s (GIOTTO S BT 50 / (GIOTTO BT 30)
	5s (GIOTTO BT 50)
Lunghezza asta	3 m (GIOTTO S BT 30/ GIOTTO BT 30)
	5 m (GIOTTO S BT 50/ GIOTTO BT 50)
	6 m [(GIOTTO BT 50/ GIOTTO S BT 50) + ATG6]
Sblocco manuale meccanico	chiave personalizzata
Tipo di asta	rettangolare
Fincorsa	elettrici incorporati e regolabili elettronicamente
Tipo di utilizzo	intensivo (GIOTTO S BT 30/ GIOTTO S BT 50)
	semi intensivo (GIOTTO BT 30/ GIOTTO BT 50)
Temperatura di esercizio	da -20°C a +55°C
Grado di protezione	IP 54
Peso attuatore (senza asta)	41 Kg (GIOTTO S BT 30 / (GIOTTO BT 50)
	42 Kg (GIOTTO S BT 50)
	40 Kg (GIOTTO BT 30)
Dimensioni	vedere fig.A
CENTRALE	
Isolamento rete/bassa tensione	> 2MOhm 500V---
Rigidità dielettrica	rete/bt 3750V~ per 1 minuto
Alimentazione accessori	24V~(180 mA assorbimento max)
Spia barriera aperta	24V~ 3W max
Lampeggiante	24V~ 25W max
Fusibili	vedi figura G
N° combinazioni RADIO	4 miliardi
Radiricevente Rolling-Code incorporata	frequenza 433.92MHz
N° max radiocomandi memorizzabili	63
Impostazione parametri e opzioni	Display LCD / programmatore palmare universale

(*)= tensioni speciali di alimentazione a richiesta

Versioni trasmettitori utilizzabili:

Tutti i trasmettitori ROLLING CODE compatibili con: 
 ((€R-Ready))

4.1) PIASTRA DI FONDAZIONE (Fig.B1)

4.2) TIRANTI DI FISSAGGIO (Fig.B2)

5) MONTAGGIO ATTUATORE

ATTENZIONE! La barriera deve essere utilizzata esclusivamente per il passaggio dei veicoli. I pedoni non devono transitare nell'area di manovra dell'automazione. Prevedere un apposito passaggio pedonale.

Il passaggio deve essere opportunamente evidenziato con i segnali d'obbligo evidenziati in Fig.A.

ATTENZIONE: prima di aprire la portina la molla deve essere scaricata (asta verticale). La portina del cassone deve essere rivolta dal lato interno della proprietà. Ponendosi in mezzo al passaggio, rivolti verso l'esterno, se il cassone è a sinistra, la barriera è sinistra: se il cassone è a destra la barriera è destra.

L'attuatore viene sempre fornito predisposto per il montaggio a sinistra.

6) Montaggio sinistro (Fig. A, B, C, D).

7) Montaggio destro (Fig. .)

- Eseguire il bilanciamento dell'asta.
- Nel quadro di comando impostare ad ON la logica Inversione Direzione.

⚠ Attenzione: la logica Inversione Direzione dev'essere configurata su OFF per barriere a montaggio sinistro, su ON per barriere a montaggio destro. In caso contrario i fincorsa non funzioneranno o verrà visualizzato un errore di direzione encoder.

8) BILANCIAMENTO ASTA (Fig. F).

9) ACCESSORI OPZIONALI (Fig.E).

- Base di fondazione CBO
- Kit colonnina fissaggio Cellula 130 KIT GTO 130
- Forcella fissa per appoggio asta FAF
- Gamba mobile per appoggio asta GA
- Gamba mobile ammortizzata per appoggio asta GAMA
- Siepe già assemblata all'asta SB
- Costa sensibile BIR
- Kit luci per aste da 3m a 4,5m KIT GTO LIGHT 3
- Kit luci per aste da 5m o 6m KIT GTO LIGHT 5
- Profilo di copertura inferiore o superiore asta PCA
- ELL ART Asta Articolata
- KIT BAT
- RMM
- THERMO
- GTO ATG-GTO AQQ
- ATG 3-ATG 5 -ATG 6
- AQQ 3-AQQ 5

10) ACCESSORI (LIMITI LUNGHEZZA ASTA E BILANCIAMENTO (Fig. E1)
Per ulteriori informazioni circa l'installazione e l'utilizzo degli accessori fate riferimento al rispettivo manuale istruzione.

11) MONTAGGIO LAMPEGGIANTE RADIUS B LTA24R1/ RADIUS B LTA24R2. (FIG. AC)

- Completare il montaggio ed il cablaggio come indicato nelle istruzioni RADIUS B LTA24R1/ RADIUS B LTA24R2.

12) MONTAGGIO FOTOCELLULA CELLULA 130 / GTO 130 (FIG. AD).

13) PREDISPOSIZIONE DELL'IMPIANTO ELETTRICO

ATTENZIONE: prima di aprire la portina la molla deve essere scaricata (asta verticale). Predisporre l'impianto elettrico (fig. A) facendo riferimento alle norme vigenti. Tenere nettamente separati i collegamenti di alimentazione di rete dai collegamenti di servizio (fotocellule, coste sensibili, dispositivi di comando ecc.).

In fig. A è riportato il numero di collegamenti e la sezione per una lunghezza dei cavi di alimentazione di 100 metri; per lunghezze superiori, calcolare la sezione per il carico reale dell'automazione. Quando le lunghezze dei collegamenti ausiliari superano i 50 metri o passano in zone critiche per i disturbi, è consigliato il disaccoppiamento dei dispositivi di comando e di sicurezza con opportuni relè.

I componenti principali per una automazione sono (fig.A):

- I) Interruttore onnipolare omologato di adeguata portata con apertura contatti di almeno 3,5 mm provvisto di protezione contro i sovraccarichi ed i corto circuiti, atto a sezionare l'automazione dalla rete. Installare a monte dell'automazione, se non già presente, un interruttore onnipolare omologato con soglia 0,03A.
- QR) Quadro comando e ricevente incorporata.
- S) Selettore a chiave.
- AL) Lampeggiante.
- M) Attuatore.
- A) Asta.
- F) Forcella d'appoggio.
- CS) Costa sensibile.
- Ft,Fr) Coppia fotocellule.
- CF) Colonnina fotocellule.
- T) Trasmettitore 1-2-4 canali.
- RMM) Rilevatore di presenza induttivo (Fig. C1).
- LOOP) Spire rilevatore presenza.

14) COLLEGAMENTI (FIG. G)

Passati gli adeguati cavi elettrici nelle canalette e fissati i vari com-

ponenti dell'automazione nei punti prescelti, si passa al loro collegamento secondo le indicazioni e gli schemi riportati nei relativi manuali istruzione. Effettuare la connessione della fase, del neutro e della terra (obbligatoria). Il cavo di rete va bloccato nell'apposito pressacavo, i cavi degli accessori nell'apposito pressacavo, il conduttore di protezione (terra) con guaina isolante di colore giallo/verde, deve essere collegato nell'apposito serratlo.

ATTENZIONE:

I collegamenti elettrici devono essere eseguiti da personale qualificato ed esperto, a regola d'arte, nel rispetto di tutte le normative vigenti, utilizzando materiali appropriati. Predisporre l'impianto elettrico facendo riferimento alle norme vigenti per gli impianti elettrici. Tenere nettamente separati i collegamenti di alimentazione di rete dai collegamenti di servizio. A monte dell'impianto risulta necessario installare un interruttore sezionatore con distanza di apertura dei contatti uguale o superiore a 3,5 mm, avente protezione magnetotermica e differenziale di portata adeguata al consumo dell'apparecchio. Per il cablaggio utilizzare solo cavi conformi a norme armonizzate o nazionali di sezione coordinata con le protezioni a monte, con il consumo dell'apparecchio e con le condizioni di installazione.

MORSETTO	DESCRIZIONE
1-2	Alimentazione di rete monofase 230V~ ±10% (1=L) (2=N)
3-4	Non utilizzati
6-7	Collegamenti motore
15-5	Collegamenti motore, riferimento in chiusura
15-8	Collegamenti motore, riferimento in apertura
9-10	Lampeggiante 24V~ max 25W.
11-12	Alimentazione accessori: 24 V~ funzionamento in presenza di rete. 24 V --- (11+,12-) funzionamento in assenza di rete e kit opzionale batteria tampone
13-14	Uscita alimentazione dispositivi di sicurezza (trasmettitore fotocellule). N.B.: uscita attiva solo durante il ciclo di manovra. 24 V~ Vsafe funzionamento in presenza di rete. 24 V--- (13+,14-) Vsafe funzionamento in assenza di rete e kit opzionale batteria tampone.
15-16	Pulsante di comando START (N.O.). Funzionamento secondo logiche 2-3-4 passi
15-17	Ingresso STOP (N.C.) Il comando interrompe la manovra. Se non si utilizza lasciare il ponticello inserito.
15-18	Ingresso FOTOCELLULA (N.C.) Funzionamento secondo la logica fotocellule in apertura. Se non si utilizza lasciare il ponticello inserito.
19	Ingresso verifica dispositivi di sicurezza FAULT - PHOT (N.O.).
15-20	Ingresso costa sensibile BAR (N.C.) In chiusura il comando inverte il movimento, in apertura il comando blocca il movimento. Se non si utilizza lasciare il ponticello inserito.
21-22	Uscita spia barriera aperta (contatto N.O., 24V~/ 3W max) o, in alternativa, uscita allarme (vedi Tabella "B" Rif. Allarme SCA) e Connessione a Sistema Gestione Parcheggi Parky.
23-24-25-26	Ingressi encoder
15-27	Pulsante di comando OPEN/ TIMER (N.O.) Open - Il comando esegue un'apertura. Timer - Se il contatto è chiuso, le ante si aprono e rimangono aperte fino all'apertura del contatto. Se il contatto collegato è aperto le ante si chiudono e si predispongono al normale funzionamento.
15-28	Pulsante di comando CLOSE (N.O.) Il comando esegue una chiusura

15) DISPOSITIVI DI SICUREZZA FIG.H

Nota: utilizzare solamente dispositivi di sicurezza riceventi con contatto in libero scambio.

15.1) DISPOSITIVI NON VERIFICATI FIG.H1

15.2) DISPOSITIVI VERIFICATI FIG.H2, H3

16) REGOLAZIONI


SEQUENZA DI REGOLAZIONI CONSIGLIATA:

- Regolazione dei finecorsa Fig. 1 (Vedi paragrafo di riferimento)
- Programmazione radiocomando
- Eventuali regolazioni dei parametri / logiche

17) Menu Parametri (PAr Rr)
(TABELLA "A" PARAMETRI)

18) Menu Logiche (L o C)
(TABELLA "B" LOGICHE)

19) MENU RADIO (rPd o)

Logica	Descrizione
RGG 5tAr-t	Aggiungi Tasto start associa il tasto desiderato al comando Start
EL n 54	Elimina Lista  ATTENZIONE! Rimuove completamente dalla memoria della ricevente tutti i radiocomandi memorizzati.
cod rH	Lettura codice ricevitore Visualizza il codice ricevitore necessario per la clonazione dei radiocomandi.
uk	ON = Abilita la programmazione a distanza delle schede tramite un trasmettitore W LINK precedentemente memorizzato. Questa abilitazione rimane attiva 3 minuti dall'ultima pressione del radiocomando W LINK. OFF = Programmazione W LINK disabilitata.

- NOTA IMPORTANTE: CONTRASSEGNARE IL PRIMO TRASMETTITORE MEMORIZZATO CON IL BOLLINO CHIAVE (MASTER).

Il primo trasmettitore, nel caso di programmazione manuale, assegna il CODICE CHIAVE DEL RICEVITORE; questo codice risulta necessario per poter effettuare la successiva clonazione dei radiotrasmettitori.

Il ricevitore di bordo incorporato Clonix dispone inoltre di alcune importanti funzionalità avanzate:

- Clonazione del trasmettitore master (rolling-code o codice fisso)
- Clonazione per sostituzione di trasmettitori già inseriti nel ricevitore
- Gestione database trasmettitori
- Gestione comunità di ricevitori

Per l'utilizzo di queste funzionalità avanzate fate riferimento alle istruzioni del programmatore palmare universale ed alla Guida alla Programmazione CLONIX, fornite con il dispositivo del programmatore palmare universale.

20) MENU DEFAULT (dEFAULt)

Riporta la centrale ai valori preimpostati dei default.

21) MENU LINGUA (L nGUA)

Consente di impostare la lingua del programmatore a display.

22) MENU STATISTICHE

- Consente di visualizzare:
- la versione della scheda
 - il numero delle manovre totali effettuate dall'automazione
 - il numero di telecomandi memorizzati nella ricevente integrata

23) CONNESSIONE A SISTEMA GESTIONE PARCHEGGI PARKY

La scheda è configurabile in modo da mettere a disposizione un'uscita per il controllo dello stato della barriera. Disabilitando la logica Allarme SCA (OFF) e impostando il parametro Tempo Allarme a 0 s, il contatto SCA (21-22) risulta così configurato (Fig. G):

- contatto **chiuso** tra i morsetti **21-22** a barriera **abbassata**
- contatto **aperto** tra i morsetti **21-22** a barriera **alzata**

23.1) CONNESSIONE SERIALE MEDIANTE SCHEDA SCS1 (Fig. AE)

Il quadro di comando **LIBRA-C-G/LIBRA-C-GS** consente, tramite appositi ingressi e uscite seriali (SCS1), la connessione centralizzata di più automazioni. In questo modo è possibile, con un unico comando, eseguire l'apertura o la chiusura di tutte le automazioni connesse.

Seguendo lo schema di Fig. AE, procedere alla connessione di tutti i quadri comando **LIBRA-C-G/LIBRA-C-GS**, utilizzando esclusivamente un doppino di tipo telefonico.

Nel caso si utilizzi un cavo telefonico con più coppie risulta indispensabile utilizzare i fili della stessa coppia.

La lunghezza del cavo telefonico fra una apparecchiatura e la successiva non deve eccedere i 250 m.

A questo punto è necessario configurare opportunamente ogni quadro comando **LIBRA-C-G/LIBRA-C-GS**, impostando inanzitutto una centrale MASTER, che avrà il controllo di tutte le altre, necessariamente settate come SLAVE (vedi menu logiche).

Impostare inoltre il numero di Zona (vedi menu parametri) tra 0 e 127. Il numero di zona consente di creare dei gruppi di automazioni, ognuna delle quali risponde al Master di Zona. **Ogni zona può avere un solo**



Master, il Master della zona 0 controlla anche i Master e gli Slave delle altre zone. ATTENZIONE: la centrale impostata come master deve essere la prima della serie.

23.2) BARRIERE CONTRAPPOSTE (Fig. AF)

Tramite connessione seriale è possibile inoltre realizzare il controllo centralizzato di due barriere/cancelli contrapposti. In questo caso il quadro comando Master M1 comanderà simultaneamente la chiusura e l'apertura del quadro comando Slave M2.

IMPOSTAZIONI NECESSARIE PER IL FUNZIONAMENTO:

- Scheda MASTER: ZONE=128, MASTER=ON

- Scheda SLAVE: ZONE=128, MASTER=OFF

CABLAGGI NECESSARI AL FUNZIONAMENTO:

- La centrale MASTER e la centrale SLAVE sono collegate tra di loro con i 4 fili (RX/TX) relativi alle schede di interfaccia SCS1;

- Tutti i comandi di attivazione, nonché i telecomandi devono riferirsi alla scheda MASTER;

- Tutte le fotocellule (verificate e non) devono essere collegate al MASTER;

- Le coste di sicurezza dell'anta MASTER devono essere collegate alla centrale MASTER;

- Le coste di sicurezza dell'anta SLAVE devono essere collegate alla centrale SLAVE.

24) REGOLAZIONE FINECORSO

ATTENZIONE: prima di aprire la portina la molla deve essere scarica (asta verticale). La barriera dispone di finecorsa elettronici programmabili e di arresto meccanico a finecorsa. Tra fine corsa elettrico ed arresto meccanico deve rimanere un margine di rotazione (circa 1°) sia in chiusura che in apertura (Fig. J).

L'impostazione delle posizioni di finecorsa in apertura e in chiusura va effettuata modificando i parametri del quadro di comando Calibrazione quota Apertura e Calibrazione quota Chiusura: aumentandone il valore

le posizioni di finecorsa si spostano nel senso di apertura. Per valutare correttamente le quote impostate si consiglia di effettuare alcune manovre complete consecutive.

25) SBLOCCO DI EMERGENZA (Fig. Y)

ATTENZIONE: Nel caso si necessiti attivare lo sblocco in un attuatore senza asta, assicurarsi che la molla di bilanciamento non sia compressa (asta in posizione di apertura).

26) MALFUNZIONAMENTO: CAUSE e RIMEDI.

26.1) L'asta non apre. Il motore non gira.

ATTENZIONE: prima di aprire lo sportello la molla deve essere scarica (asta verticale).

- 1) Verificare che fotocellule non siano sporche, o impegnate, o non allineate.
- 2) Verificare il corretto collegamento del motore.
- 3) Verificare che l'apparecchiatura elettronica sia regolarmente alimentata. Verificare l'integrità dei fusibili. In caso di malfunzionamento del fusibile estrarlo (per sostituirlo).
- 4) Mediante l'autodiagnosi del quadro (vedere Tabella "Accesso ai menù"), controllare che le funzioni siano corrette. Individuare eventualmente la causa del difetto. Se l'autodiagnosi indica che persiste un comando di start, controllare che non vi siano radiocomandi, pulsanti di start o altri dispositivi di comando che mantengono attivato (chiuso) il contatto di start.
- 5) Se il quadro non funziona, sostituirlo.
- 6) Verificare l'intervento dei microinterruttori di riferimento controllando i messaggi riportati sul display del quadro di comando.
- 7) Ingrassare i tiranti guida molla in caso di rumori o vibrazioni.

26.2) L'asta non apre. Il motore gira ma non avviene il movimento.

- 1) Lo sblocco manuale è rimasto inserito. Ripristinare il funzionamento motorizzato.
- 2) Se lo sblocco è in posizione di funzionamento motorizzato, verificare l'integrità del riduttore.

TABELLA "A" - MENU PARAMETRI - (PAR-RN)

Parametro	min.	max.	Default	Definizione	Descrizione
tcR	0	180	10	Tempo Chiusura Automatica	Tempo di chiusura automatica [s] Impostare numericamente il valore del tempo di chiusura automatica.
c. AP	40	99	75	Coppia Apertura	Coppia apertura [%] Imposta la sensibilità all'ostacolo durante l'apertura (1=max., 99=min.)
c. ch	40	99	75	Coppia Chiusura	Coppia chiusura [%] Imposta la sensibilità all'ostacolo durante la chiusura (1=max., 99=min.)
VEL. AP.	15	99	99	Velocità Apertura	Velocità a regime in apertura [%] Imposta la velocità che la barriera deve raggiungere a regime in apertura, in percentuale alla massima velocità raggiungibile dall'attuatore.
VEL. ch	15	99	99	Velocità Chiusura	Velocità a regime in chiusura [%] Imposta la velocità che la barriera deve raggiungere a regime in chiusura, in percentuale alla massima velocità raggiungibile dall'attuatore.
TEMPO ALL.	0	240	30	Tempo Allarme	Tempo allarme [s] In caso di rilevamento ostacolo o di impegno delle fotocellule per un tempo superiore a quello impostato (variabile da 10 s a 240 s), il contatto SCA si chiude. Il contatto successivamente viene aperto dal comando Stop o dall'intervento del finecorsa di chiusura. Attivo solo impostando la logica Allarme SCA su OFF. Se impostato a 0 s il contatto SCA diventa connessione a sistema Parky (vedi Paragrafo Connessione A Sistema Gestione Parcheggi Parky).
FRENO	1	10	2	Frenatura	Frenatura [%] Impostare la frenatura da applicare durante le fermate della barriera.
ZONE	0	128	0	Zona	Zona [] Imposta il numero di zona della porta inserita nella connessione seriale per comandi centralizzati. Zona=128 Connessione seriale barriere contrapposte.
cAL. AP. (par speciale 1*)	0	100	80	Calibrazione Quota Apertura	Calibrazione quota apertura [%] Impostare la quota di riferimento da 0,0 a 100,0, per la posizione di apertura desiderata (vedi Paragrafo Regolazione Finecorsa).
cAL. ch (par speciale 2*)	0	100	25	Calibrazione Quota Chiusura	Calibrazione quota chiusura [%] Impostare la quota di riferimento, da 0,0 a 100,0, per la posizione di chiusura desiderata (vedi Paragrafo Regolazione Finecorsa).
ACC.EL. (par speciale 6*)	1	10	3	Accelerazione	Accelerazione [%] Impostare l'accelerazione da applicare all'inizio di ciascun movimento.
SPAZZ. DECEL. (par speciale 18*)	0	99	70	Spazio Decelerazione	Spazio Decelerazione [%] Imposta lo spazio che impiega la barriera per passare da velocità alta a velocità bassa in percentuale alla corsa totale.

*=Riferimento per programmatore palmare universale.

TABELLA "B" - MENU LOGICHE - (L.00.1C)

Logica	default	Definizione	Barrare il settaggio eseguito	Descrizione																				
t c R	ON	Tempo Chiusura Automatica	ON	Attiva la chiusura automatica																				
			OFF	Esclude la chiusura automatica.																				
b L i n P A P	ON	Blocca Impulsi apertura	ON	L'impulso di start non ha alcun effetto durante la fase di apertura.																				
			OFF	L'impulso di start ha effetto durante la fase di apertura.																				
b L i n P t c R	OFF	Blocca Impulsi TCA	ON	L'impulso di start non ha effetto durante la pausa TCA.																				
			OFF	L'impulso di start ha effetto durante la pausa TCA.																				
2 P A S S I	OFF	Logica 2 passi	ON	Abilita la logica 2 passi (prevale su "Logica 3 passi").																				
			OFF	Disabilita la logica 2 passi attivando la logica 4 passi se "Logica 3 passi" è OFF.																				
3 P A S S I	ON	Logica 3 passi	ON	Abilita la logica 3 passi (se "Logica 2 passi" è OFF).																				
			OFF	Disabilita la logica 3 passi attivando la logica 4 passi se "Logica 2 passi" è OFF.																				
<i>Risposta all'impulso di START:</i>																								
<table border="1" style="width: 100%; border-collapse: collapse;"> <thead> <tr> <th>Barriera</th> <th>2 passi</th> <th>3 passi</th> <th>4 passi</th> </tr> </thead> <tbody> <tr> <td>chiusa</td> <td rowspan="2">apre</td> <td rowspan="2">apre</td> <td>apre</td> </tr> <tr> <td>in chiusura</td> <td>stop</td> </tr> <tr> <td>aperta</td> <td rowspan="2">chiude</td> <td rowspan="2">chiude</td> <td>chiude</td> </tr> <tr> <td>in apertura</td> <td>stop + TCA</td> </tr> <tr> <td>dopo stop</td> <td>apre</td> <td>apre</td> <td>apre</td> </tr> </tbody> </table>					Barriera	2 passi	3 passi	4 passi	chiusa	apre	apre	apre	in chiusura	stop	aperta	chiude	chiude	chiude	in apertura	stop + TCA	dopo stop	apre	apre	apre
Barriera	2 passi	3 passi	4 passi																					
chiusa	apre	apre	apre																					
in chiusura			stop																					
aperta	chiude	chiude	chiude																					
in apertura			stop + TCA																					
dopo stop	apre	apre	apre																					
P r E A L L	OFF	Preallarme	ON	Il lampeggiante si accende circa 3 secondi prima della partenza del motore.																				
			OFF	Il lampeggiante si accende contemporaneamente alla partenza dei motori.																				
U o m o P r E S	OFF	Uomo Presente	ON	Funzionamento a uomo presente: la manovra continua finché viene mantenuta la pressione sui tasti di comando OPEN e CLOSE. Non è possibile utilizzare il radiocomando.																				
			OFF	Funzionamento normale a impulsi.																				
F o t o c. A P	ON	Fotocellule in apertura	ON	In caso di oscuramento, esclude il funzionamento della fotocellula in apertura. In fase di chiusura, inverte immediatamente.																				
			OFF	In caso di oscuramento, le fotocellule sono attive sia in apertura che in chiusura. Un oscuramento della fotocellula in chiusura, inverte il moto solo dopo il disimpegno della fotocellula.																				
c h r A P i d R	OFF	Chiusura rapida	ON	Chiude la barriera dopo il disimpegno delle fotocellule prima di attendere il termine del TCA impostato.																				
			OFF	Comando non inserito.																				
t E S T P h o t	OFF	Test fotocellule	ON	Attiva la verifica delle fotocellule																				
			OFF	Disattiva la verifica delle fotocellule																				
M A S T E R	OFF	Master/Slave	ON	Il quadro comando viene settato come Master in un collegamento centralizzato.																				
			OFF	Il quadro comando viene settato come Slave in un collegamento centralizzato.																				
c o d. F i s s o	OFF	Codice Fisso	ON	Il ricevitore risulta configurato per il funzionamento in modalità codice fisso.																				
			OFF	Il ricevitore risulta configurato per il funzionamento in modalità rolling-code.																				
P r o g. r A d i o	ON	Programmazione Radiocomandi	ON	Abilita la memorizzazione via radio dei trasmettitori: 1- Premere in sequenza il tasto nascosto (P1) e il tasto normale (T1-T2-T3-T4) di un trasmettitore già memorizzato in modalità standard attraverso il menu radio. 2- Premere entro 10s il tasto nascosto (P1) ed il tasto normale (T1-T2-T3-T4) di un trasmettitore da memorizzare. La ricevente esce dalla modalità programmazione dopo 10s, entro questo tempo è possibile inserire ulteriori nuovi trasmettitori. Questa modalità non richiede l'accesso al quadro comando. IMPORTANTE: Abilita l'inserimento automatico di nuovi radiocomandi, cloni e replay.																				
			OFF	Disabilita la memorizzazione via radio dei trasmettitori. I trasmettitori vengono memorizzati solo utilizzando l'apposito menu Radio. IMPORTANTE: Disabilita l'inserimento automatico di nuovi radiocomandi, cloni e replay.																				
A L L. S c A	ON	Allarme SCA	ON	Il contatto SCA (morsetti 21-22) ha il seguente comportamento: - a barriera aperta e in apertura: contatto chiuso (spia accesa) - a barriera chiusa: contatto aperto (spia spenta) - in chiusura: contatto intermittente (lampeggio)																				
			OFF	Il contatto SCA si chiude secondo le modalità previste dal parametro Tempo allarme.																				
i n v. d i r	OFF	Inversione Direzione	ON	Per barriera a montaggio destro (vedi Par. Montaggio destro)																				
			OFF	Per barriera a montaggio sinistro																				
o P E N - t i M E R (dip speciale 2*)	OFF	Timer su open	ON	L'ingresso tra i due morsetti 15 - 27 funziona come TIMER.																				
			OFF	L'ingresso tra i due morsetti 15 - 27 funziona come OPEN.																				

*=Riferimento per programmatore palmare universale.



ACCESS TO MENUS Fig. 1

LEGENDA

8888

+ ↑

Scroll up

8888

- ↓

Scroll down

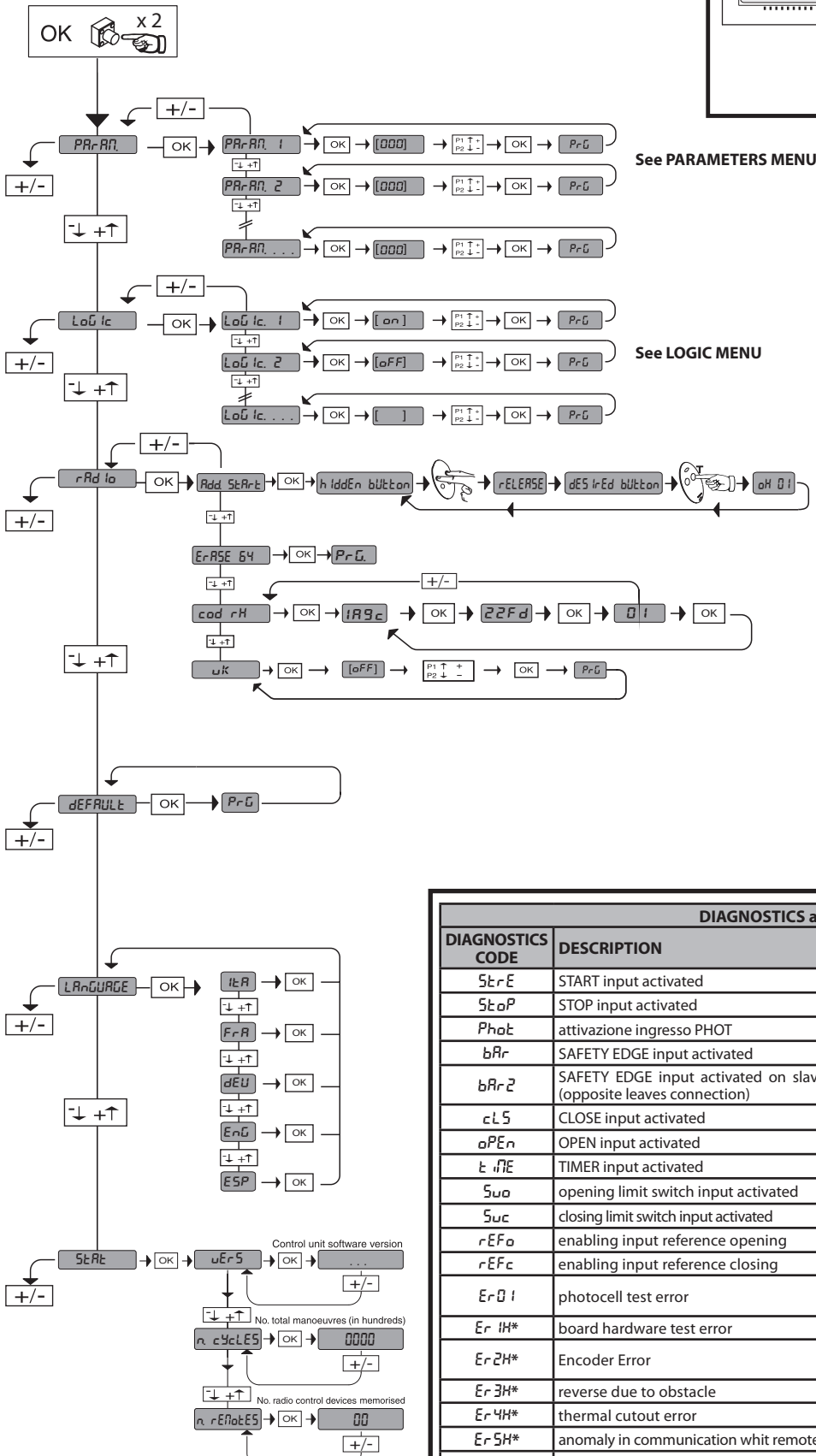
8888

OK ↵

Confirm/Switch on display

+ / -

Exit Menu



See PARAMETERS MENU

See LOGIC MENU

DIAGNOSTICS and WARNINGS		
DIAGNOSTICS CODE	DESCRIPTION	NOTES
StErE	START input activated	
StoP	STOP input activated	
PhoE	attivazione ingresso PHOT	
bRr	SAFETY EDGE input activated	
bRr2	SAFETY EDGE input activated on slave motor (opposite leaves connection)	
cL5	CLOSE input activated	
oPEn	OPEN input activated	
t rE	TIMER input activated	
SuO	opening limit switch input activated	
SuC	closing limit switch input activated	
rEFo	enabling input reference opening	
rEFc	enabling input reference closing	
Er0 i	photocell test error	check photocell connection and/or logic settings
Er 1H*	board hardware test error	check connections to motor
Er 2H*	Encoder Error	motor or signal encoder power leads inverted/disconnected
Er 3H*	reverse due to obstacle	check for obstacles in path
Er 4H*	thermal cutout error	Allow motor to cool
Er 5H*	anomaly in communication whit remote devices	check Scs1 serial connections
Er 6 i	running off battery	
Er FH*	limit switch error	check limit switch connections

* H = 0,1,...,9,A,B,C,D,E,F

3540

- Set torque threshold
- Maximum instantaneous motor torque

INSTALLER WARNINGS

WARNING! Important safety instructions. Carefully read and comply with all the warnings and instructions that come with the product as incorrect installation can cause injury to people and animals and damage to property. The warnings and instructions give important information regarding safety, installation, use and maintenance. Keep hold of instructions so that you can attach them to the technical file and keep them handy for future reference.

GENERAL SAFETY

This product has been designed and built solely for the purpose indicated herein. Uses other than those indicated herein might cause damage to the product and create a hazard.

- The units making up the machine and its installation must meet the requirements of the following European Directives, where applicable: 2004/108/EC, 2006/95/EC, 2006/42/EC, 89/106/EC, 99/05/EC and later amendments. For all countries outside the EEC, it is advisable to comply with the standards mentioned, in addition to any national standards in force, to achieve a good level of safety.
- The Manufacturer of this product (hereinafter referred to as the "Firm") disclaims all responsibility resulting from improper use or any use other than that for which the product has been designed, as indicated herein, as well as for failure to apply Good Practice in the construction of entry systems (doors, gates, etc.) and for deformation that could occur during use.
- Before installing the product, make all structural changes required to produce safety gaps and to provide protection from or isolate all crushing, shearing and dragging hazard areas and danger zones in general in accordance with the provisions of standards EN 12604 and 12453 or any local installation standards. Check that the existing structure meets the necessary strength and stability requirements.
- Before commencing installation, check the product for damage.
- The Firm is not responsible for failure to apply Good Practice in the construction and maintenance of the doors, gates, etc. to be motorized, or for deformation that might occur during use.
- Make sure the stated temperature range is compatible with the site in which the automated system is due to be installed.
- Do not install this product in an explosive atmosphere: the presence of flammable fumes or gas constitutes a serious safety hazard.
- Disconnect the electricity supply before performing any work on the system. Also disconnect buffer batteries, if any are connected.
- Before connecting the power supply, make sure the product's ratings match the mains ratings and that a suitable residual current circuit breaker and overcurrent protection device have been installed upline from the electrical system. Have the automated system's mains power supply fitted with a switch or omnipolar thermal-magnetic circuit breaker with a contact separation that meets code requirements.
- Make sure that upline from the mains power supply there is a residual current circuit breaker that trips at no more than 0.03A as well as any other equipment required by code.
- Make sure the earth system has been installed correctly: earth all the metal parts belonging to the entry system (doors, gates, etc.) and all parts of the system featuring an earth terminal.
- Installation must be carried out using safety devices and controls that meet standards EN 12978 and EN 12453.
- Impact forces can be reduced by using deformable edges.
- In the event impact forces exceed the values laid down by the relevant standards, apply electro-sensitive or pressure-sensitive devices.
- Apply all safety devices (photocells, safety edges, etc.) required to keep the area free of impact, crushing, dragging and shearing hazards. Bear in mind the standards and directives in force, Good Practice criteria, intended use, the installation environment, the operating logic of the system and forces generated by the automated system.
- Apply all signs required by current code to identify hazardous areas (residual risks). All installations must be visibly identified in compliance with the provisions of standard EN 13241-1.
- Once installation is complete, apply a nameplate featuring the door/gate's data.
- This product cannot be installed on leaves incorporating doors (unless the motor can be activated only when the door is closed).
- If the automated system is installed at a height of less than 2.5 m or is accessible, the electrical and mechanical parts must be suitably protected.
- Install any fixed controls in a position where they will not cause a hazard, away from moving parts. More specifically, hold-to-run controls must be positioned within direct sight of the part being controlled and, unless they are key operated, must be installed at a height of at least 1.5 m and in a place where they cannot be reached by the public.
- Apply at least one warning light (flashing light) in a visible position, and also attach a Warning sign to the structure.
- Attach a label near the operating device, in a permanent fashion, with information on how to operate the automated system's manual release.
- Make sure that, during operation, mechanical risks are avoided or relevant protective measures taken and, more specifically, that nothing can be banged, crushed, caught or cut between the part being operated and surrounding parts.
- Once installation is complete, make sure the motor automation settings are correct and that the safety and release systems are working properly.
- Only use original spare parts for any maintenance or repair work. The Firm disclaims all responsibility for the correct operation and safety of the automated system if parts from other manufacturers are used.
- Do not make any modifications to the automated system's components unless explicitly authorized by the Firm.
- Instruct the system's user on what residual risks may be encountered, on the control systems that have been applied and on how to open the system manually in an emergency. Give the user guide to the end user.
- Dispose of packaging materials (plastic, cardboard, polystyrene, etc.) in accordance with the provisions of the laws in force. Keep nylon bags and polystyrene out of reach of children.

WIRING

WARNING! For connection to the mains power supply, use: a multicore cable with a cross-sectional area of at least 5x1.5mm² or 4x1.5mm² when dealing with three-phase power supplies or 3x1.5mm² for single-phase supplies (by way of example, type H05 VV-F cable can be used with a cross-sectional area of 4x1.5mm²). To connect auxiliary equipment, use wires with a cross-sectional area of at least 0.5 mm².

- Only use pushbuttons with a capacity of 10A-250V or more.
- Wires must be secured with additional fastening near the terminals (for example, using cable clamps) in order to keep live parts well separated from safety extra low voltage parts.
- During installation, the power cable must be stripped to allow the earth wire to be connected to the relevant terminal, while leaving the live wires as short as possible. The earth wire must be the last to be pulled taut in the event the cable's fastening device comes loose.

WARNING! safety extra low voltage wires must be kept physically separate from low voltage wires.

Only qualified personnel (professional installer) should be allowed to access live parts.

CHECKING THE AUTOMATED SYSTEM AND MAINTENANCE

Before the automated system is finally put into operation, and during maintenance work, perform the following checks meticulously:

- Make sure all components are fastened securely.
- Check starting and stopping operations in the case of manual control.
- Check the logic for normal or personalized operation.
- For sliding gates only: check that the rack and pinion mesh correctly with 2 mm of play along the full length of the rack; keep the track the gate slides on clean and free of debris at all times.
- For sliding gates and doors only: make sure the gate's running track is straight and horizontal and that the wheels are strong enough to take the weight of the gate.
- For cantilever sliding gates only: make sure there is no dipping or swinging during operation.
- For swing gates only: make sure the leaves' axis of rotation is perfectly vertical.
- Check that all safety devices (photocells, safety edges, etc.) are working properly and that the anti-crush safety device is set correctly, making sure that the force of impact measured at the points provided for by standard EN 12445 is lower than the value laid down by standard EN 12453.
- Impact forces can be reduced by using deformable edges.
- Make sure that the emergency operation works, where this feature is provided.
- Check opening and closing operations with the control devices applied.
- Check that electrical connections and cabling are intact, making extra sure that insulating sheaths and cable glands are undamaged.
- While performing maintenance, clean the photocells' optics.
- When the automated system is out of service for any length of time, activate the emergency release (see "EMERGENCY OPERATION" section) so that the operated part is made idle, thus allowing the gate to be opened and closed manually.
- If the power cord is damaged, it must be replaced by the manufacturer or their technical assistance department or other such qualified person to avoid any risk.
- If "D" type devices are installed (as defined by EN12453), connect in unverified mode, foresee mandatory maintenance at least every six months

WARNING!

Remember that the drive is designed to make the gate/door easier to use and will not solve problems as a result of defective or poorly performed installation or lack of maintenance

SCRAPPING

Materials must be disposed of in accordance with the regulations in force. There are no particular hazards or risks involved in scrapping the automated system. For the purpose of recycling, it is best to separate dismantled parts into like materials (electrical parts - copper - aluminium - plastic - etc.).

DISMANTLING

If the automated system is being dismantled in order to be reassembled at another site, you are required to:

- Cut off the power and disconnect the whole electrical system.
- Remove the actuator from the base it is mounted on.
- Remove all the installation's components.
- See to the replacement of any components that cannot be removed or happen to be damaged.

Anything that is not explicitly provided for in the installation manual is not allowed. The operator's proper operation can only be guaranteed if the information given is complied with. The Firm shall not be answerable for damage caused by failure to comply with the instructions featured herein.

While we will not alter the product's essential features, the Firm reserves the right, at any time, to make those changes deemed opportune to improve the product from a technical, design or commercial point of view, and will not be required to update this publication accordingly.

2) GENERAL OUTLINE

Compact electromechanical barrier suitable for limiting private areas, parkings, access areas for vehicles only. Available for passageways from 3 to 5 metres. Adjustable electronic limit switches, they guarantee correct boom stopping position.

The emergency release device for manual manoeuvre is controlled by a personalised key lock.

The actuator is always supplied for left-hand side fitting. However, when necessary, the opening direction can be reversed by means of simple operations.

The CBO mod. foundation base (on request) makes barrier installation easier. Appropriate fittings make it easy to install accessories.

The LIBRA-C-G/LIBRA-C-GS control panel is supplied by the manufacturer with standard setting. Any change must be set by means of the incorporated display or by means of the universal programmer.

3) TECHNICAL SPECIFICATIONS

MOTOR	
Power supply	230V±10% 50Hz(*)
Power absorbed	300W (GIOTTO S BT 30/ GIOTTO S BT 50) 250W (GIOTTO BT 30/GIOTTO BT 50)
Internal lubrication	permanent grease
Max torque	280 Nm (GIOTTO S BT 30)
	380 Nm (GIOTTO S BT 50)
	250 Nm (GIOTTO BT 30)
	350 Nm (GIOTTO BT 50)
Opening time	2,5s (GIOTTO S BT 30)
	4s (GIOTTO S BT 50 / (GIOTTO BT 30)
	5s (GIOTTO BT 50)
Boom length	3 m (GIOTTO S BT 30/ GIOTTO BT 30)
	5 m (GIOTTO S BT 50/ GIOTTO BT 50)
	6 m [(GIOTTO BT 50/ GIOTTO S BT 50) + ATG6]
Manual mechanical release	customised key
Type of boom	rectangular
Limit devices	electrical incorporated and electronically adjustable
Type of use	intensive (GIOTTO S BT 30/ GIOTTO S BT 50)
	semi intensive (GIOTTO BT 30/ GIOTTO BT 50)
Working temperature	from -20°C to +55°C
Degree of protection	IP 54
Operator weight (without boom)	41 Kg (GIOTTO S BT 30 / (GIOTTO BT 50)
	42 Kg (GIOTTO S BT 50)
	40 Kg (GIOTTO BT 30)
Dimensions	see fig. A
CONTROL UNIT	
Mains/low voltage insulation	> 2MOhm 500V---
Dielectric strength	mains/low voltage 3750V~ for 1 minute
Supply to accessories	24V~ (180 mA max absorption)
Barrie-open warning light	24V~ 3W max
Blinker	24V~ 25W max
Fuses	see Fig. G
N° of combinations	4 billion
Built-in Rolling-Code radio-receiver	frequency 433.92MHz
Max. n° of remotes that can be memorized	63
Setting of parameters and options	Universal handheld programmer/LCD display

(*)= special power supply voltages on request.

Usable transmitter versions:

All ROLLING CODE transmitters compatible with: 

4.1) FOUNDATION PLATE (Fig. B1).

4.2) FASTENING ANCHOR BOLTS (Fig. B2).

5) FITTING OF THE ACTUATOR

WARNING! The barrier must be exclusively used for vehicles to drive through. Pedestrians must not walk within the operator manoeuvring area. An appropriate pedestrian passageway must be provided for.

The passageway must be suitably indicated by means of the warning signs illustrated in Fig.A.

WARNING: before opening the door, the spring must be unloaded

(vertical boom). The door of the box must be facing towards the inside of the property. When you stand in the middle of the passageway, facing outwards, if the box is on your left, the barrier is left-hand fitted, if the box is on your right, the barrier is right-hand fitted.

The actuator is always supplied for left-hand side fitting.

6) Left-hand fitting (Fig. A, B, C, D).

7) Right-hand fitting (Fig. AA)

- Carry out bar balancing.
- Set the Direction Reversal logic to ON in the control panel.

Warning: the Direction Reversal logic must be configured to OFF for left-hand fitted barriers, and to ON for right-hand fitted barriers. Otherwise, the limit devices will not operate or an encoder direction error will be displayed.

8) BAR BALANCING (Fig. F).

9) OPTIONAL ACCESSORIES (Fig.E)

- Foundation base CBO
- Photocell 130 fastening post kit KIT GTO 130
- Fixed end rest for boom FAF
- Folding leg to support boom GA
- Cushioned folding leg to support boom GAMA
- Skirt ready assembled on boom SB
- Safety edge BIR
- Lights kit for booms between 3m and 4.5m long KIT GTO LIGHT 3
- Lights kit for booms 5m or 6m long KIT GTO LIGHT 5
- Top or bottom boom covering profile PCA
- ELL ART Articulated Boom
- KIT BAT
- RMM
- THERMO
- GTO ATG-GTO AQQ
- ATG 3-ATG 5 -ATG 6
- AQQ 3-AQQ 5

10) Accessories: boom length limits and balancing (Fig. E1).

For further information about the installation and use of accessories, refer to the respective instruction manuals.

11) Assembling the flashing light RADIUS B LTA24R1/ RADIUS B LTA24R2. (FIG. AC)

- Complete assembly and wiring as directed in instructions provided for RADIUS B LTA24R1/ RADIUS B LTA24R2.

12) Assembling Photocell 130 / GTO 130 (FIG. AD).

13) ELECTRICAL INSTALLATION SET-UP

WARNING: before opening the door, the spring must be unloaded (vertical boom). Set up the electrical installation (fig. A) with reference to the current regulations for electrical installations. Keep the mains power supply con-nections definitely separate from the service connections (photocells, electric edges, control devices etc.).

Fig. A shows the number of connections and section for a 100m length of power supply cables; for greater lengths, calculate the section for the true automation load. When the auxiliary connections exceed 50 metre lengths or go through critical disturbance areas, it is recommended to decouple the control and safety devices by means of suitable relays.

The main automation components are (fig. A):

- I) Type-approved adequately rated omnipolar circuit-breaker with at least 3,5 mm contact opening, provided with protection against overloads and short circuits, suitable for cutting out automation from the mains. Place, if not already installed, a type-approved differential switch with a 0.03A threshold just before the automation system.
- QR) Control panel and incorporated receiver.
- S) Key selector.
- AL) Blinker
- M) Actuators.
- A) Bar.
- F) Rest fork.
- CS) Electric edge.
- Ft,Fr) Pair of photocells.
- CF) Photocell post.
- T) 1-2-4 channel transmitter.
- RMM) Inductive metal mass detector (Fig. C1).
- LOOP) Mass detector loops.

14) CONNECTION (Fig. G)

Once suitable electric cables have been run through the raceways and the automated device's various components have been fastened at the predetermined points, the next step is to connect them as directed and illustrated in the diagrams contained in the relevant instruction manuals. Connect the live, neutral and earth wire (compulsory). The mains cable must be clamped in the relevant cable gland, and the accessories' wires in the cable gland, while the earth wire with the yellow/green-coloured

sheath must be connected in the relevant terminal.

WARNING: The electrical connections must be carried out workmanlike by qualified experienced personnel, in conformity with all the current standards and with the use of appropriate materials.

Lay out the electrical installation with reference to the current electrical standards.

Keep the mains supply connections clearly separated from the service connections.

In the initial section of the electrical installation, fit a circuit breaker with a contact opening distance equal to or greater than 3,5 mm, provided with magnetothermal protection and a differential switch having adequate capacity for the appliance consumption. For the wiring, only use cables conforming to the harmonised or national standards, having a cross section corresponding to the initial protection, the appliance consumption and the installation conditions, for example a 3x1.5 sq mm (H 05 VV-F) cable.

TERMINAL	DESCRIPTION
1-2	Control for cooling fan 230V~ ±10% (1=L) (2=N)
3-4	Not used
6-7	Motor connections
15-5	Motor connections, closing reference
15-8	Motor connections, opening reference
9-10	Flashing light (24 V~, 25W)
11-12	Accessories power supply: 24 V operation with mains power on. 24 V (11+,12-) operation with no mains power and optional buffer battery kit.
13-14	Safety device power supply output (photocell transmitter). N.B.: output active only during operating cycle. 24 V Vsafe operation with mains power on. 24 V (13+,14-) Vsafe operation with no mains power and optional buffer battery kit.
15-16	START button (N.O.) This option can be set via the "logic menu". Start - operation according to 2-3-4 step logic.
15-17	STOP input (N.C.) The command stops movement. If not used, leave jumper inserted.
15-18	PHOTOCELL input (N.C.) Operation according to photocell during opening logic. If not used, leave jumper inserted.
19	Safety device test input FAULT - PHOT (N.O.).
15-20	SAFETY EDGE input BAR (N.C.) The command reverses movement during closing and stops movement during opening. If not used, leave jumper inserted.
21-22	Barrier-open warning light output (N.O. contact, 24V~/3W max) or, in alternative, alarm output (see Table "B", Alarm SCA) and Connection To Parky Car-Park Management System
23-24-25-26	Encoder inputs
15-27	OPEN/ TIMER control button (N.O.) Open - Gate opened with this command. Timer - If the contact is closed, the leaves open and stay open until the contact is opened. If the contact connected is open, the leaves close and are ready for normal operation.
15-28	Close button CLOSE (N.O.) The command causes the leaf to close.

15) SAFETY DEVICES FIG. H

Note: only use receiving safety devices with free changeover contact.

15.1) NON-TESTED DEVICES FIG. H1

15.2) TESTED DEVICES FIG. H2, H3

16) ADJUSTMENTS


<p>RECOMMENDED ADJUSTMENT SEQUENCE: Adjusting the limit switches Fig.I (See reference section) Programming remote controls Setting of parameters/logic, where necessary</p>

17) PARAMETERS MENU (PAr Rr)
(TABLE "A" PARAMETERS)

18) LOGIC MENU (Ld ū ic)

(TABLE "B" LOGIC)

19) RADIO MENU (rRd id)

Logic	Description
Add Start	Add Start Key associates the desired key with the Start command
Erase	Erase List  WARNING! Erases all memorized remote controls from the receiver's memory.
code	Read receiver code Displays receiver code required for cloning remote controls.
uk	ON = Enables remote programming of cards via a previously memorized WLINK transmitter. It remains enabled for 3 minutes from the time the W LINK remote control is last pressed. OFF =W LINK programming disabled.

- IMPORTANT NOTE: THE FIRST TRANSMITTER MEMORIZED MUST BE IDENTIFIED BY ATTACHING THE KEY LABEL (MASTER).

In the event of manual programming, the first transmitter assigns the RECEIVER'S KEY CODE: this code is required to subsequently clone the radio transmitters.

The Clonix built-in on-board receiver also has a number of important advanced features:

- Cloning of master transmitter (rolling code or fixed code)
- Cloning to replace transmitters already entered in receiver
- Transmitter database management
- Receiver community management

To use these advanced features, refer to the universal handheld programmer's instructions and to the CLONIX Programming Guide, which come with the universal handheld programmer device.

20) DEFAULT MENU (dEFAULt)

Restores the controller's default factory settings.

21) LANGUAGE MENU (LAnGUAGE)

Used to set the programmer's language on the display.

22) STATISTICS MENU

Shows:

- board version
- number of total manoeuvres made by the automation
- number of remote controls saved to the built-in receiver

23) CONNECTION TO PARKY CAR-PARK MANAGEMENT SYSTEM

The board can be configured in order to make an output available for controlling the barrier status. When the SCA Alarm logic is disabled (OFF) and the Alarm Time parameter is set to 0 s, the SCA contact (21-22) is configured as follows (Fig. G):

- contact **closed** between terminals **21-22** with the barrier **lowered**
- contact **open** between terminals **21-22** with the barrier **lifted**

23.1) SERIAL CONNECTION USING SCS1 BOARD (Fig. AE)

The **LIBRA-C-G/LIBRA-C-GS** control panel allows several automation units (SCS1) to be connected in a centralised way by means of appropriate serial inputs and outputs. This makes it possible to use one single command to open and close all the automation units connected.

Following the diagram in Fig. AE, proceed to connecting all the **LIBRA-C-G/LIBRA-C-GS** control panels, exclusively using a telephone-type line. Should a telephone cable with more than one pair be needed, it is indispensable to use wires from the same pair.

The length of the telephone cable between one appliance and the next must not exceed 250 m.

At this point, each of the **LIBRA-C-G/LIBRA-C-GS** control panels must be appropriately configured, by setting a MASTER unit first of all, which will have control over all the others, to be necessarily set as SLAVE (see logic menu).

Also set the Zone number (see parameter menu) between 0 and 127.

The zone number allows you to create groups of automation units, each one answering to the Zone Master unit. **Each zone can only be assigned one Master unit, the Master unit in zone 0 also controls the Slave units in the other zones. WARNING: the control panel set as the master must be the first in the series.**

23.2) Opposite Barriers (Fig. AF)

By means of a serial connection, it is also possible to obtain centralised control of two opposite barriers/gates.

In this case, the Master M1 control panel will simultaneously manage closing and opening for the Slave M2 control panel.

SETTING REQUIRED FOR OPERATION:

- MASTER board: Zone=128, rRStEr=ON
- SLAVE board: Zone=128, rRStEr=OFF

WIRING REQUIRED FOR OPERATION:

- The MASTER and SLAVE control units are interconnected through the

- 4 wires (RX/TX) for the SCS1 interface boards;
- All the activation controls, as well as the remote controls must refer to the MASTER board;
 - All the photocells must be connected to the MASTER control panel;
 - The safety edges of the MASTER leaf must be connected to the MASTER control unit;
 - The safety edges of the SLAVE leaf must be connected to the SLAVE control unit.

24) LIMIT SWITCH SETTING

WARNING: before opening the door, the spring must be unloaded (vertical boom). The barrier is provided with programmable electronic limit switches and mechanical stop devices. There must be a rotation margin (about 1°) on closing and opening between the electrical limit switches and mechanical stop devices (Fig. J). To evaluate correctly the values set, you are advised to carry out a few complete consecutive manoeuvres.

25) EMERGENCY RELEASE (Fig. Y)

WARNING! When an actuator without bar needs to be released, ensure that the balancing spring is not compressed (bar in the opening position).

26) MALFUNCTION: CAUSES and REMEDIES

26.1) The bar does not open. The motor does not turn.

WARNING: before opening the door, the spring must be unloaded

(vertical boom).

- 1) Check that the photocells are not dirty, or engaged, or not aligned. Proceed accordingly. Check the electric edge.
- 2) Check the correct connection of the drive motor and capacitor.
- 3) Check that the electronic appliance is correctly supplied. Check the integrity of the fuses.
- 4) Use the control unit self-diagnosis (see "Acces to Menus"), to check whether the functions are correct. Identify any possible cause for the fault. If self-diagnosis indicates that a start command persists, check that there are no radio transmitters, start buttons or other control devices keeping the start contact activated (closed).
- 5) If the control unit does not work, it must be replaced.
- 6) Check the activation of the reference microswitches by checking the messages appearing on the control panel display.
- 7) Lubrificate the guide-ressort tirants in case of rumors or vibrations.

26.2) The bar does not open. The motor turns but there is no movement.

- 1) The manual release was left engaged. Reset the motorised operation.
- 2) If the release is in the motorised operation position, check the gearmotor for integrity.

TABLE "A" - PARAMETERS MENU - (PRR-RF)

PARAMETERS	min.	max.	default	Definition	Description
t c R	0	180	10	Automatic Closing Time	Automatic Closing Time [s] Set the numerical value of the automatic closing time.
o P. t S L o u	40	99	75	Opening motor torque	Opening torque [%] Sets sensitivity to obstacles during opening (1=max., 99=min.)
c L S t S L o u	40	99	75	Closing motor torque	Closing torque [%] Sets sensitivity to obstacles during closing (1=max., 99=min.)
o P. S P E E d	15	99	99	Speed during opening	Running speed during opening [%] Sets the running speed that the barrier must reach during opening, as a percentage of the maximum speed the actuator can reach.
c L S P E E d	15	99	99	Speed during closing	Running speed during closing [%] Sets the running speed that the barrier must reach during closing, as a percentage of the maximum speed the actuator can reach.
R L R r n t n E	0	240	30	Alarm time	Alarm time [%] In the case of obstacle detection or photocell engagement for a period exceeding the time set (ranging from 10 s to 240 s), the SCA contact closes. The contact is subsequently opened by the STOP command or by triggering of the closing limit switch. Only active when the SCA Alarm logic is set to OFF. If set to 0 s, the SCA contact becomes a connection to the Parky system (see Paragraph Connection To Parky Car-Park Management System).
b r A H E	1	10	2	Braking	Braking [%] Set the braking rate to be applied while the barrier is stopping.
Z o n E	0	128	0	Zone	Zone [] Set the zone number between a minimum value of 0 and a maximum value of 128.
o P E n. c R L i b. (Special par. 1)*	0	100	80	Opening value calibration	Opening value calibration [%] Set the reference value from 0,0 to 100,0 for the required opening position (see Paragraph Limit Switch Setting).
c L o S. c R L i b. (Special par. 2)*	0	100	25	Closing value calibration	Closing value calibration [%] Set the reference value from 0,0 to 100,0 for the required closing position (see Paragraph Limit Switch Setting).
R c c E L. (Special par. 6)*	1	10	3	Acceleration	Acceleration [%] Set the acceleration to be applied at the beginning of each movement.
d i S t. d E c E L. (Special par. 18)*	0	99	70	Slow-down distance	Slow-down distance [%] Set the distance the barrier needs to go from high to low speed in percentage to total travel.

*=Refer for universal handheld programmer.

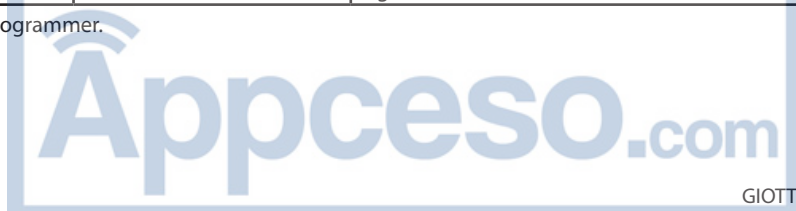


TABLE B: LOGIC MENU (Logic)

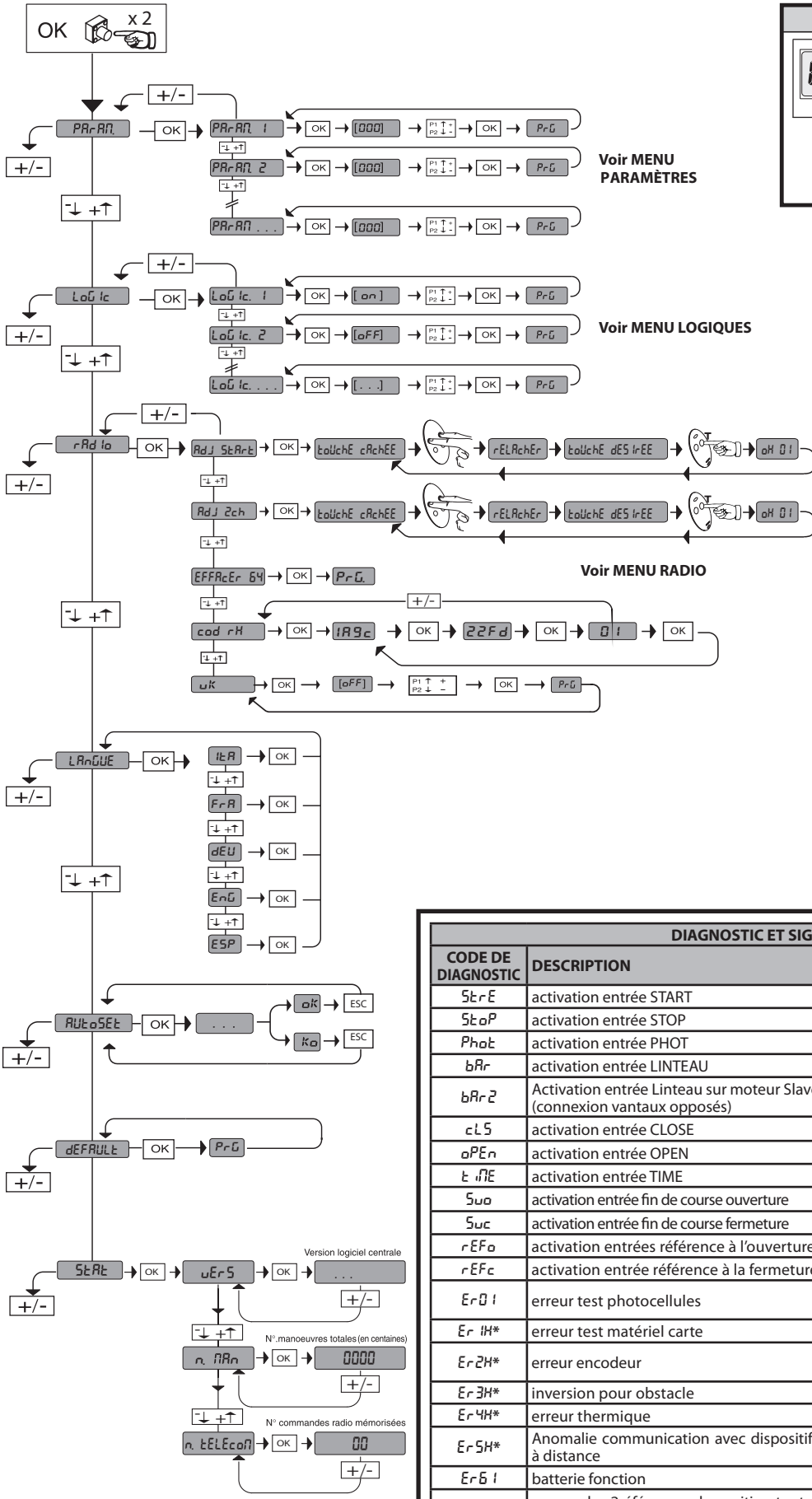
Logic	Default	Definition	Cross out setting used	Description																				
t c R	ON	Automatic Closing Time	ON	Switches automatic closing on.																				
			OFF	Switches automatic closing off.																				
i b l o P E n	ON	Block Pulses	ON	The start pulse has no effect during opening.																				
			OFF	The start pulse has effect during opening or closing.																				
i b l t c R	OFF	Impulse lock TCA	ON	The Start impulse has no effect during the TCA dwell period.																				
			OFF	The Start impulse becomes effective during the TCA dwell period.																				
2 S t e P	OFF	2 step	ON	Enables the 2-step logic (prevails over the "3-step logic").																				
			OFF	Disables the 2-step logic, activating the 4-step logic if the "3-step logic" is OFF.																				
3 S t e P	ON	3 step	ON	Enables the 3-step logic (if the "2-step logic" is OFF).																				
			OFF	Disables the 3-step logic, activating the 4-step logic if the "2-step logic" is OFF.																				
<i>Response to the START impulse</i>																								
<table border="1" style="width: 100%; border-collapse: collapse;"> <thead> <tr> <th style="width: 15%;">Barrier</th> <th style="width: 15%;">2 steps</th> <th style="width: 15%;">3 steps</th> <th style="width: 15%;">4 steps</th> </tr> </thead> <tbody> <tr> <td>closed</td> <td rowspan="2">opens</td> <td rowspan="2">opens</td> <td>opens</td> </tr> <tr> <td>on closing</td> <td>stop</td> </tr> <tr> <td>open</td> <td rowspan="2">closes</td> <td rowspan="2">closes</td> <td>stops + TCA</td> </tr> <tr> <td>on opening</td> <td>stop + TCA</td> </tr> <tr> <td>after stop</td> <td>opens</td> <td>opens</td> <td>opens</td> </tr> </tbody> </table>					Barrier	2 steps	3 steps	4 steps	closed	opens	opens	opens	on closing	stop	open	closes	closes	stops + TCA	on opening	stop + TCA	after stop	opens	opens	opens
Barrier	2 steps	3 steps	4 steps																					
closed	opens	opens	opens																					
on closing			stop																					
open	closes	closes	stops + TCA																					
on opening			stop + TCA																					
after stop	opens	opens	opens																					
P r e A L	OFF	Pre-alarm	ON	The flashing light comes on approx. 3 seconds before the motors start.																				
			OFF	The flashing light comes on at the same time as the motors start.																				
h o l d t o r u n	OFF	Deadman	ON	Hold-to-run operation: the manoeuvre continues as long as the OPEN and CLOSE control keys are kept pressed. The radio transmitter cannot be used.																				
			OFF	Normal impulse operation.																				
P h o t o c o P E n	ON	Photocells during opening	ON	When beam is broken, operation of the photocell is switched off during opening. During closing, movement is reversed immediately.																				
			OFF	When beam is broken, photocells are active during both opening and closing. When beam is broken during closing, movement is reversed only once the photocell is cleared.																				
F A S T c L S	OFF	Rapid closing	ON	Closes barrier after photocell disengagement, before waiting for the end of the TCA (automatic closing time) set.																				
			OFF	Command not entered.																				
t E S T P h o t	OFF	Photocell test	ON	Switches photocell testing on																				
			OFF	Switches photocell testing off If disabled (OFF), it inhibits the photocell testing function, enabling connection of devices not equipped with supplementary test contacts.																				
M A S T E R	OFF	Master/slave	ON	Control panel is set up as the Master unit in a centralized serial connection system.																				
			OFF	Control panel is set up as a Slave unit in a centralized serial connection system.																				
F i x e d c o d E	OFF	Fixed code	ON	Receiver is configured for operation in fixed-code mode.																				
			OFF	Receiver is configured for operation in rolling-code mode.																				
r A d i o P r o G	ON	Remote control programming	ON	Enables wireless memorizing of transmitters: 1- Press in sequence the hidden key (P1) and normal key (T1-T2-T3-T4) of a transmitter that has already been memorized in standard mode via the radio menu. 2- Press within 10 secs. the hidden key (P1) and normal key (T1-T2-T3-T4) of a transmitter to be memorized. The receiver exits programming mode after 10 secs.: you can use this time to enter other new transmitters. This mode does not require access to the control panel. IMPORTANT: Enables the automatic addition of new transmitters, clones and replays.																				
			OFF	Disables wireless memorizing of transmitters. Transmitters are memorized only using the relevant Radio menu. IMPORTANT: Disables the automatic addition of new transmitters, clones and replays.																				
A L A R M S c A	ON	SCA Alarm	ON	The SCA contact (terminals 21-22) behaves as follows: - with barrier open and on opening: contact closed (warning light on) - with barrier closed: contact open: (warning light off) - on closing: intermittent contact (blinking)																				
			OFF	The SCA contact closes according to the modes set by the Alarm Time parameter.																				
c h A n G E M o t.	OFF	Reversing motion	ON	Change this parameter if the opening direction needs to be changed																				
			OFF	Standard operating mode.																				
o P E n - t i M E r (special dip 2*)	OFF	TIMER su OPEN	ON	Input between terminals 15-27 works as TIMER.																				
			OFF	Input between terminals 15-27 works as OPEN.																				

*=Refer for universal handheld programmer.



ACCES AUX MENUS Fig. 1

D811768 00100_03



LEGENDA

+
↑
Monter

-
↓
Descendre

OK
←
Con firmation /
Allumage afficheur

+

-

Sortir du menu

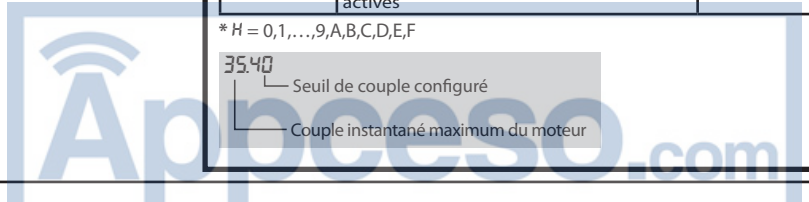
DIAGNOSTIC ET SIGNALISATIONS		
CODE DE DIAGNOSTIC	DESCRIPTION	REMARQUE
StErE	activation entrée START	
StoP	activation entrée STOP	
PhoK	activation entrée PHOT	
bAR	activation entrée LINTEAU	
bAR2	Activation entrée Linteau sur moteur Slave (connexion vantaux opposés)	
cL5	activation entrée CLOSE	
oPEn	activation entrée OPEN	
tIME	activation entrée TIME	
SwO	activation entrée fin de course ouverture	
SwC	activation entrée fin de course fermeture	
rEFo	activation entrées référence à l'ouverture	
rEFc	activation entrée référence à la fermeture	
ErD1	erreur test photocellules	vérifier connexion photocellules et/ou configurations logiques
ErIH*	erreur test matériel carte	vérifier les connexions sur le moteur
Er2H*	erreur encodeur	Câbles d'alimentation du moteur du signal encodeur invertis/débranchés
Er3H*	inversion pour obstacle	vérifier éventuels obstacles le long du parcours
Er4H*	erreur thermique	Attendre le refroidissement du moteur
Er5H*	Anomalie communication avec dispositifs à distance	vérifier connexions série Scs1
Er51	batterie fonction	
ErFH*	erreur des 2références de position toutes actives	vérifier connexions des fins de course

* H = 0,1,...,9,A,B,C,D,E,F

35.40 — Seuil de couple configuré

— Couple instantané maximum du moteur

FRANÇAIS



AVERTISSEMENTS POUR LE MONTEUR

ATTENTION ! Instructions de sécurité importantes. Veuillez lire et suivre attentivement tous les avertissements et toutes les instructions fournis avec le produit sachant qu'une installation incorrecte peut provoquer des préjudices aux personnes, aux animaux ou aux biens. Les avertissements fournissent des indications importantes concernant la sécurité, l'installation, l'utilisation et l'entretien. Veuillez conserver les instructions pour les joindre au dossier technique et pour d'ultérieures consultations.

SECURITE GÉNÉRALE

Ce produit a été conçu et réalisé exclusivement pour l'usage indiqué dans cette documentation. Tout usage autre que celui indiqué risque d'endommager le produit et d'être une source de danger.

-Les éléments qui composent l'appareil et le montage doivent être conformes aux Directives Européennes suivantes : 2004/108/CE, 2006/95/CE, 2006/42/CE, 89/106/CE, 99/05/CE et leurs modifications successives. Pour les pays n'appartenant pas à la CEE, il est conseillé de respecter également les normes citées, outre les règlements nationaux en vigueur, afin de garantir un bon niveau de sécurité.

-Le Fabricant de ce produit (par la suite « le Fabricant ») décline toute responsabilité dérivant d'un usage incorrect ou différent de celui prévu et indiqué dans la présente documentation, de l'inobservation de la bonne technique de construction des huisseries (portes, portails, etc.) et des déformations pouvant apparaître à l'usage.

-Avant d'installer le produit apportez toutes les modifications structurelles nécessaires pour réaliser les butées de sécurité et la protection ou ségrégation de toutes les zones présentant un risque d'écrasement, de cisaillement, d'entraînement ou autre, conformément aux normes EN 12604 et 12453 ou les éventuelles normes locales sur l'installation. - Vérifiez si la structure existante est suffisamment robuste et stable.

-Avant de commencer le montage, vérifiez l'intégrité du produit.

-Le fabricant décline toute responsabilité en cas d'inobservation de la bonne technique de construction et d'entretien des huisseries motorisées, ainsi que de déformations survenant en cours d'utilisation.

-Vérifier si l'intervalle de température déclaré est compatible avec le lieu destiné à l'installation de l'automatisation.

-Ne pas installer ce produit dans une atmosphère explosive: la présence de gaz ou de fumées inflammables constitue un grave danger pour la sécurité.

-Mettre hors tensions l'installation avant d'accomplir une quelconque intervention. Déconnecter également les batteries tampon éventuellement présentes.

-Avant de mettre hors tension, vérifier si les données de la plaque d'identification correspondent à celles du secteur et s'il y a en amont de l'installation électrique un disjoncteur et une protection adéquats contre la surintensité. Prévoir sur le réseau d'alimentation de l'automatisation un interrupteur ou un magnétothermique omnipolaire ayant une distance d'ouverture des contacts conforme aux règlements en vigueur.

-Vérifier s'il y a en amont du réseau d'alimentation un disjoncteur dont le seuil ne dépasse pas 0,03A et les prescriptions des règlements en vigueur.

-Vérifier si l'installation de mise à la terre est réalisée correctement. Connecter toutes les parties métalliques de la fermeture (portes, portails, etc.) et tous les composants de l'installation munis de borne de terre.

-L'installation doit être équipée de dispositifs de sécurité et de commandes conformes aux normes EN 12978 et EN12453.

-Les forces de choc peuvent être réduites à l'aide de rebords déformables.

-Si les forces de choc dépassent les valeurs prévues par les normes, appliquer des dispositifs électrosensibles ou sensibles à la pression.

-Appliquer tous les dispositifs de sécurité (photocellules, linteaux sensibles, etc.) nécessaires pour protéger la zone contre les risques de choc, d'écrasement, d'entraînement ou de cisaillement. Tenir compte des règlements et des directives en vigueur, des critères de bonne technique, de l'utilisation, de l'environnement de l'installation, de la logique de fonctionnement du système et des forces développées par l'automatisation.

-Appliquer les signaux prévus par les règlements en vigueur pour indiquer les zones de danger (risques résiduels). Toutes les installations doivent être identifiées de façon visible conformément aux prescriptions de EN13241-1.

-Au terme de l'installation, appliquez une plaque d'identification de la porte/du portail.

-Ce produit ne peut pas être installé sur des vantaux munis de portes (à moins que le moteur ne puisse être actionné qu'avec la porte fermée).

bSi l'automatisation est installée à une hauteur inférieure à 2,5 m ou si elle est accessible, il est indispensable de garantir un degré de protection adapté aux parties électriques et mécaniques.

-Installer toutes commandes fixes en hauteur de façon à ce qu'elles ne représentent pas une source de danger et qu'elles soient éloignées des parties mobiles. En particulier les commandes à homme présent doivent être visibles directement de la partie guidée et- à moins qu'il n'y ait une clé, se trouver à 1,5 m minimum de hauteur de façon à être inaccessibles au public.

-Appliquer au moins un dispositif de signalement lumineux (clignotant) visible, fixer également un panneau Attention sur la structure.

-Fixer, à proximité de l'organe de manœuvre et de façon permanente, une étiquette sur le fonctionnement du déverrouillage manuel de l'automatisation.

-S'assurer que soient évités pendant la manœuvre les risques mécaniques et, en particulier, l'écrasement, l'entraînement et le cisaillement par la partie guidée et les parties voisines.

-Une fois l'installation accomplie, s'assurer que le réglage du moteur est correct et que les systèmes de protection et de déverrouillage fonctionnent correctement.

-Utiliser exclusivement des pièces détachées originales pour les opérations d'entretien ou les réparations. Le Fabricant décline toute responsabilité quant à la sécurité et au bon fonctionnement de l'automatisation en cas d'utilisation de composants d'autres Fabricants.

-Ne modifier d'aucune façon les composants de l'automatisation sans l'autorisation expresse du Fabricant.

-Informez l'utilisateur de l'installation sur les risques résiduels éventuels, sur les systèmes de commande appliqués et sur la façon de procéder à l'ouverture manuelle en cas d'urgence: remettre le manuel d'utilisation à l'utilisateur final.

-Éliminer les matériaux d'emballage (plastique, carton, polystyrène, etc.) conformément aux normes en vigueur. Ne pas laisser les sachets en plastique et la mousse de polystyrène à la portée des enfants.

CONNEXIONS

ATTENTION ! Pour le branchement sur le secteur, utiliser un câble multipolaire ayant une section minimum de 5x1,5mm² ou de 4x1,5mm² pour alimentation triphasée ou de 3x1,5mm² pour alimentation monophasée (par exemple, le câble peut être du type H05 VV-F avec une section de 4x1,5mm²). Pour le branchement des auxiliaires, utiliser des conducteurs de 0,5 mm² de section minimum.

-Utiliser exclusivement des touches ayant une portée supérieure ou égale à 10A-250V.

-Immobiliser les conducteurs à l'aide d'une fixation supplémentaire à proximité des bornes (par exemple, à l'aide d'un collier) afin de séparer nettement les parties sous tension des parties sous très faible tension de sécurité.

-Pendant l'installation, dénuder le câble d'alimentation afin de pouvoir brancher le conducteur de terre sur la borne appropriée en laissant cependant les conducteurs actifs aussi courts que possibles. Le conducteur de terre doit être le dernier à se tendre en cas de desserrement du dispositif de fixation du câble.

ATTENTION ! Les conducteurs à très faible tension de sécurité doivent être physiquement séparés des conducteurs à basse tension.

Seul le personnel qualifié (monteur professionnel) doit pouvoir accéder aux parties sous tension.

VÉRIFICATION DE L'AUTOMATISATION ET ENTRETIEN

Vérifier scrupuleusement ce qui suit avant de rendre l'automatisation définitivement opérationnelle et pendant les interventions d'entretien:

-Vérifier si tous les composants sont solidement fixés.

-Vérifier le fonctionnement du démarrage et de l'arrêt en cas de commande manuelle.

-Vérifier la logique de fonctionnement normale ou personnalisée.

-Uniquement sur les portails coulissants: vérifier si l'engrenage crémaillère - pignon est correct, avec un jeu de 2 mm le long de toute la crémaillère; le rail de glissement doit être toujours propre et dépourvu de débris.

-Uniquement sur les portails coulissants: vérifier si le rail du portail est droit et horizontal et si les roues sont en mesure de supporter le poids du portail.

-Uniquement sur les portails coulissants suspendus en porte-à-faux: vérifier l'absence d'abaissement ou d'oscillation pendant la manœuvre.

-Uniquement sur les portails à battant: vérifier si l'axe de rotation des vantaux est parfaitement vertical.

-Contrôler le bon fonctionnement de tous les dispositifs de sécurité (photocellules, linteaux sensibles etc.) et le bon réglage du dispositif de sécurité anti-écrasement, en vérifiant si la valeur de la force de choc mesurée aux endroits prévus par la norme EN12445 est inférieure à celle indiquée par la norme EN12453.

-Les forces de choc peuvent être réduites à l'aide de rebords déformables.

-Vérifier le bon fonctionnement de la manœuvre d'urgence s'il y en a une.

-Vérifier le bon fonctionnement à l'ouverture et à la fermeture avec les dispositifs de commande appliqués.

-Vérifier l'intégrité des connexions électriques et des câblages, en particulier l'état des gaines isolantes et des presse-câbles.

-Pendant les opérations d'entretien, nettoyez les lentilles des photocellules.

-Pendant la période de mise hors service de l'automatisation, activer le déverrouillage d'urgence (cf. paragraphe MANŒUVRE D'URGENCE) de façon à libérer la partie guidée et à pouvoir accomplir l'ouverture et la fermeture manuelles du portail.

-Si le câble d'alimentation est endommagé, il doit être remplacé par le constructeur ou par son service après-vente ou par une personne qualifiée, afin d'éviter tout risque.

-Si on installe des dispositifs du type D (tels que définis par la EN12453), branchés en mode non vérifié, prescrire un entretien obligatoire au moins tous les six mois.

ATTENTION !

Ne pas oublier que la motorisation facilite l'utilisation du portail/de la porte mais qu'elle ne résout pas les problèmes imputables à des défauts ou à des erreurs de montage ou encore à l'absence d'entretien.

DÉMOLITION

L'élimination des matériaux doit être faite conformément aux normes en vigueur. En cas de démolition de l'automatisation, il n'existe ni dangers particuliers, ni risques dérivant de l'automatisation en question. En cas de récupération des matériaux, séparez-les par type (parties électriques - cuivre - aluminium - plastique - etc.).

DÉMANTÈLEMENT

Si l'automatisation est démontée pour ensuite être remontée sur un autre site, il faut:

- Couper l'alimentation et débrancher toute l'installation électrique.

- Retirer l'actionneur de la base de fixation.

- Démontez tous les composants de l'installation.

- Remplacer les composants ne pouvant pas être retirés ou endommagés.

Tout ce qui n'est pas expressément prévu dans le manuel de montage est interdit. Le bon fonctionnement de l'appareil n'est garanti que si les données indiquées sont respectées. Le Fabricant ne répond pas des dommages provoqués par l'inobservation des indications données dans ce manuel.

En laissant inaltérées les caractéristiques essentielles de l'appareil, l'entreprise se réserve le droit d'apporter à tout moment les modifications qu'elle jugera opportunes pour améliorer le produit du point de vue technique, commercial et de sa construction, sans s'engager à mettre à jour la présente publication.

2) GENERALITES

Barrière électromagnétique compacte adaptée pour limiter les zones privées, les parkings, les accès uniquement prévus pour les véhicules. Disponible pour des passages de 3 à 5 mètres. Les fins de course électroniques réglables garantissent la position correcte d'arrêt de la lisse.

Le déblocage d'urgence pour permettre la manœuvre manuelle est commandé par une serrure accompagnée d'une clé personnelle.

L'actionneur est toujours fourni déjà prédisposé pour le montage à gauche. En cas de besoin, il est cependant possible d'inverser le sens d'ouverture par le biais d'opérations simples.

La base de fondation mod. CBO (sur demande) facilite l'installation de la barrière.

Des prédispositions spéciales facilitent l'installation des accessoires sans besoin de percer.

Le tableau de commandes LIBRA-C-G/LIBRA-C-GS est fourni par le fabricant avec un réglage standard. Toute modification doit être programmée à l'aide de l'afficheur incorporé ou à l'aide d'un programmeur universel.

3) TECHNICAL SPECIFICATIONS

MOTOR	
Alimentation:	230V±10% 50Hz(*)
Puissance absorbée:	300W (GIOTTO S BT 30/ GIOTTO S BT 50)
	250W (GIOTTO BT 30/GIOTTO BT 50)
Lubrification du réducteur:	graisse permanente
Couple maximum:	280 Nm (GIOTTO S BT 30)
	380 Nm (GIOTTO S BT 50)
	250 Nm (GIOTTO BT 30)
	350 Nm (GIOTTO BT 50)
Temps d'ouverture:	2,5s (GIOTTO S BT 30)
	4s (GIOTTO S BT 50 / (GIOTTO BT 30)
	5s (GIOTTO BT 50)
Longueur de la lisse:	3 m (GIOTTO S BT 30/ GIOTTO BT 30)
	5 m (GIOTTO S BT 50/ GIOTTO BT 50)
	6 m [(GIOTTO BT 50/ GIOTTO S BT 50) + ATG6]
Déblocage mécanique:	clé personnalisée
Type de lisse:	rectangulaire
Fins de course:	Électriques incorporées et réglables
Type d'utilisation:	usage continue (GIOTTO S BT 30/ GIOTTO S BT 50)
	semi-intensive (GIOTTO BT 30/ GIOTTO BT 50)
Température d'exercice:	-20°C +55°C
Degré de protection:	IP 54
Poids de l'opérateur (sans lisse):	41 Kg (GIOTTO S BT 30 / (GIOTTO BT 50)
	42 Kg (GIOTTO S BT 50)
	40 Kg (GIOTTO BT 30)
Dimensions:	Voir fig. A
TABLEAU DE COMMANDES	
Isolement réseau/basse tension:	> 2MOhm 500V:~
Rigidité diélectrique:	réseau/bt 3750V~ pendant 1 minute
Alimentation accessoires:	24V~ (180 mA max absorption)
Témoin de portail ouvert:	24V~ 3W max
Feu clignotant:	24V~ 25W max
Fusibles:	voir Fig. G
Récepteur radio code rolling intégré:	fréquence 433,92MHz
N.° combinaisons:	4 milliards
N° maxi radiocommandes mémorisables:	63
Réglage des paramètres et options:	Afficheur LCD/programmeur palmaire universel

(*)Tensions spéciales d'alimentation sur demande.

Versions d'émetteurs utilisables :

Tous les émetteurs ROLLING CODE compatibles:  ((ER-Ready))

4.1) PLAQUE D'ASSISE (Fig. B1)

4.2) FIXAGE DES TIRANTS (Fig. B2)

5) MONTAGE DU VERIN

ATTENTION! La barrière doit être exclusivement utilisée pour le passage des véhicules. Les piétons ne doivent pas passer dans l'aire de manœuvre de l'automatisme. Prévoir un passage piétons spécial. Le passage doit être opportunément signalé par les signaux obligatoires indiqués à la Fig. A.

ATTENTION : avant d'ouvrir le portillon, le ressort doit être débandé (lisse verticale). Le portillon du caisson doit être dirigé vers l'intérieur de la propriété. En se plaçant au milieu du passage, si le caisson est à gauche, la barrière est gauche, si le caisson est à droite, la barrière est droite. Le vérin est toujours fourni prédisposé pour le montage à gauche.

6) Montage gauche (Fig. A, B, C, D).

7) Montage droit (Fig. AA).

- Effectuer l'équilibrage de la lisse.
- Placer sur ON la logique Inversion de Direction sur le tableau de commande.

Attention: la logique Inversion de Direction doit être configurée sur OFF pour les barrières montées à gauche et sur ON pour les barrières montées à droite. Dans le cas contraire, les fins de course ne fonctionneront pas ou une erreur de direction du codeur s'affichera.

8) BILANCIAMENTO ASTA (Fig. F).

9) ACCESSOIRES EN OPTION (Fig.E)

- Base de fondation CBO
- Kit colonne de fixation pour Cellula 130 KIT GTO 130
- Fourche fixe d'appui de la barre FAF
- Pied mobile d'appui de la barre GA
- Pied mobile amorti d'appui de la barre GAMA
- Haie déjà montée sur la barre SB
- Linteau sensible BIR
- Kit lumières pour barre de 3m à 4,5m KIT GTO LIGHT 3
- Kit lumières pour barre de 5m à 6m KIT GTO LIGHT 5
- Profilé de couverture inférieure ou supérieure barre PCA
- Lisse Articulée ELL ART
- KIT BAT
- RMM
- THERMO
- GTO ATG-GTO AQG
- ATG 3-ATG 5 -ATG 6
- AQG 3-AQG 5

10) Accessoires (limites longueur barre et équilibrage Fig. E1)

Pour en savoir davantage sur l'installation et l'utilisation des accessoires, consultez le manuel d'instruction de chaque accessoire.

11) Montage du clignotant RADIUS B LTA24R1/ RADIUS B LTA24R2. (FIG. AC)

- Achevez le montage et le câblage de la façon indiquée dans les instructions RADIUS B LTA24R1/ RADIUS B LTA24R2.

12) MONTAGE PHOTOCELLULE CELLULA 130 / GTO 130 (FIG. AD).

13) PREDISPOSITION DE L'INSTALLATION ELECTRIQUE

ATTENTION : avant d'ouvrir le portillon, le ressort doit être débandé (lisse verticale). Prédisposer l'installation électrique (Fig. A) en se référant aux normes en vigueur. Tenir nettement séparées les connexions d'alimentation de ligne des connexions de service (cellules photo-électriques, barres palpeuses, dispositifs de commande etc.).

La Fig. A illustre le nombre de connexions et la section pour une longueur des câbles d'alimentation de 100 mètres; pour des longueurs supérieures, calculer la section pour la charge réelle de l'automatisme. Lorsque les longueurs des connexions auxiliaires dépassent les 50 mètres ou passent dans des zones critiques pour les perturbations, il est conseillé de désaccoupler les dispositifs de commande et de sécurité avec des relais spéciaux.

Les composants principaux d'une automatisation sont (Fig. A):

- I) Interrupteur omnipolaire homologué de portée adéquate avec ouverture des contacts d'au moins 3,5 mm, doté de protection contre les surcharges et les courts-circuits, en mesure de couper l'automatisme de la ligne. Prévoir en amont de la motorisation un interrupteur différentiel homologué avec seuil de 0,03A.
- Qr) Tableau de commande et récepteur incorporé.
- S) Sélecteur à clé.
- AL) Feu clignotant.
- M) Vérins.
- A) Lisse.
- F) Fourche d'appui.
- CS) Barre palpeuse.
- Ft, Fr) Couple de cellules photoélectriques.
- CF) Colonnnette cellules photoélectriques.
- T) Emetteur 1-2-4 canaux.
- RMM) Détecteur de présence inductif (Fig. C1).
- LOOP) Spires de détection présence.

14) BRANCHEMENT ELECTRIQUE (Fig. G)

Une fois que les câbles électriques adaptés ont été passés dans les gaines et

que les différents composants de l'automatisation ont été fixés au niveau des points choisis préalablement, branchez-les selon les indications et les schémas indiqués dans les manuels d'instruction correspondants. Accomplissez la connexion de la phase, du neutre et de la terre (obligatoire). Le câble du secteur est immobilisé dans le presse-câble prévu à cet effet, les câbles des accessoires dans le presse-câble, le conducteur de protection (terre), avec une gaine isolante jaune/verte, doit être branché dans le serre-fil prévu à cet effet.

ATTENTION: Les branchements électriques doivent être effectués par un personnel qualifié et compétent, selon les règles de l'art, dans le respect de toutes les normes en vigueur et en utilisant des matériaux appropriés. Prédisposer l'installation électrique se référant aux normes en vigueur pour les installations électriques. Tenir nettement séparés les branchements d'alimentation de secteur des branchements de service. En amont de l'installation, il faut installer un disjoncteur avec distance d'ouverture des contacts égale ou supérieure à 3,5 mm, avec protection magnétothermique et différentiel de portée adéquate à la consommation de l'appareil. Pour le câblage, utiliser uniquement des câbles conformes aux normes harmonisées ou nationales ayant une section indiquée aux protections en amont, à la consommation de l'appareil et aux conditions d'installation.

BORNE	DESCRIPTION
1-2	Alimentation 230V +/- 10% 50Hz (1=L) (2=N)
3-4	Non utilisés
6-7	Moteur Branchements
15-5	Moteur Branchements, référence en fermeture
15-8	Moteur Branchements, référence en ouverture
9-10	Clignotant 24 V~, 25W
11-12	Alimentation des accessoires: 24 V~ fonctionnement en présence de secteur. 24 V --- (11+,12-) fonctionnement en absence de secteur et kit batterie secours en option
13-14	Sortie alimentation dispositifs de sécurité (émetteur photocellules) N.B.: Sortie active uniquement pendant le cycle de manœuvre 24 V Vsafe fonctionnement en présence de secteur 24 V (13+,14-) Vsafe fonctionnement en absence de secteur et kit batterie secours en option.
15-16	Touche de commande START (N.O.) L'option peut se configurer à partir du Menu logiques. Fonctionnement selon logiques 2-3-4 pas
15-17	Entrée STOP (N.F.) La commande interrompt la manœuvre. Si vous ne l'utilisez pas, laissez la barrette en place.
15-18	Entrée PHOTOCELLULE (N.F.) Fonctionnement selon la logique photocellule à l'ouverture. Si vous ne l'utilisez pas, laissez la barrette en place.
19	Entrée vérification dispositifs de sécurité ERREUR - PHOT (N.O.).
15-20	Entrée linteau sensible BAR (NF) A la fermeture la commande inverse le mouvement, à l'ouverture la commande verrouille le mouvement. Si vous ne l'utilisez pas, laissez la barrette en place.
21-22	Sortie voyant barrière ouverte (contact N.O., 24V~/3W maxi.) ou en alternative sortie alarmes (voir Tableau «B», Alarme SCA), Connexion Au Système De Gestion Des Parkings Parky
23-24 25-26	Entrées codeur
15-27	Touche de commande OPEN/TIMER (ouvert/minuterie) (N.O.) Open (ouvert)- La commande accomplit une ouverture. Timer (minuterie) – Si le contact est fermé, les vantaux s'ouvrent et restent ouverts jusqu'à l'ouverture du contact. Si le contact branché est ouvert les vantaux se ferment et de préparent au fonctionnement normal.
15-28	Touche de commande CLOSE (NO) La commande accomplit une fermeture

15) DISPOSITIFS DE SÉCURITÉ FIG. H

Remarque: utiliser uniquement les dispositifs de sécurité récepteurs avec contact en libre échange.

15.1) DISPOSITIFS NON VÉRIFIÉS FIG. H1

15.2) DISPOSITIFS VÉRIFIÉS FIG. H2, H3

16) RÉGLAGES

SÉQUENCE CONSEILLÉE POUR LES RÉGLAGES:
Réglage des fins de course (Fig. I)
Programmation de la radiocommande
Réglages éventuels des paramètres/logiques

**17) Menu Paramètres (PARRIT)
(TABLEAU "A" PARAMÈTRES)**

**18) Menu Logiques (LOGIC)
(TABLEAU "B" LOGIQUES)**

19) MENU RADIO (RADIO)

Logique	Description
RdJ StRrE	Ajouter Touche Start associe la touche voulue à la commande Start
EFFRcEr 54	Eliminer Liste ATTENTION! Elimine complètement de la mémoire du récepteur toutes les radiocommandes mémorisées.
cod rH	Lecture code récepteur Affiche le code récepteur nécessaire pour la radiocommande.
uk	ON = Active la programmation à distance des fiches à travers un transmetteur W LINK précédemment mémorisé. Cette activation reste active 3 minutes à compter de la dernière pression de la radiocommande W LINK. OFF = Programmation W LINK désactivée.

- REMARQUE : MARQUER LE PREMIER ÉMETTEUR MÉMORISÉ AVEC LE TIMBRE CLÉ (MASTER).

En programmation manuelle, le premier émetteur attribue le CODE CLÉ DU RÉCEPTEUR; ce code est nécessaire pour accomplir ensuite le clonage des émetteurs radio.

Le récepteur de bord intégré Clonix dispose également de quelques fonctionnalités avancées importantes:

- Clonage du transmetteur master (rolling code ou code fixe)
- Clonage par substitution de transmetteurs déjà insérés dans le récepteur
- Gestion base de données transmetteurs
- Gestion communauté de récepteurs

Pour l'utilisation de ces fonctionnalités avancées, se référer aux instructions du programmeur palmaire universel et au guide à la programmation CLONIX, fournies avec le dispositif du programmeur palmaire universel.

20) MENU DEFAULT (DEFAULT)

Il reporte la centrale aux valeurs réglées par défaut.

21) MENU LANGUE (LANGUAGE)

Il permet de régler la langue du programmeur à afficher.

22) MEN STATISTIQUES

- permet d'afficher:
- la version de la carte
 - le nombre total de manœuvres accomplies par l'automatisme
 - le nombre de télécommandes mémorisées dans le récepteur intégré

23) CONNEXION AU SYSTÈME DE GESTION DES PARKINGS PARKY

La fiche peut être configurée de façon à mettre à disposition une sortie pour le contrôle de l'état de la barrière. En désactivant la logique Alarme SCA (OFF) et en programmant le paramètre Temps Alarme à 0 s, le contact SCA (21-22) est configuré de la façon suivante (Fig. G):

- contact **fermé** entre les bornes 21-22 avec la barrière **abaissée**
- contact **ouvert** entre les bornes 21-22 avec la barrière **relevée**

23.1) CONNEXION SÉRIE À TRAVERS LA CARTE SCS1 (Fig.AE)

Le tableau de commande **LIBRA-C-G/LIBRA-C-GS** permet, à travers les entrées et les sorties série prévues à cet effet (SCS1), la connexion centralisée de plusieurs automatisations. Cela permet d'accomplir, avec une seule commande, l'ouverture ou la fermeture de toutes les automatisations connectées.

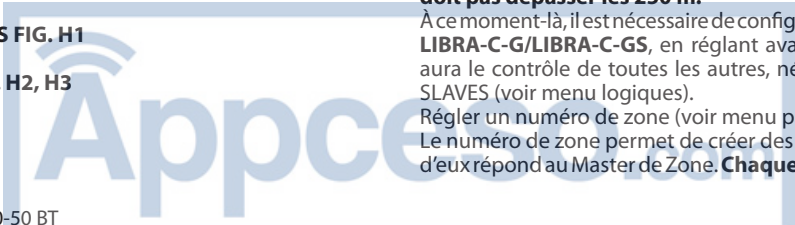
En suivant le schéma de la Fig. AE, connecter tous les tableaux de commande **LIBRA-C-G/LIBRA-C-GS**, en utilisant exclusivement une boucle téléphonique.

Si un câble téléphonique avec plusieurs paires est utilisé, il est indispensable d'utiliser les fils d'une même paire.

La longueur du câble téléphonique entre un appareil et le suivant ne doit pas dépasser les 250 m.

À ce moment-là, il est nécessaire de configurer chaque centrale de commande **LIBRA-C-G/LIBRA-C-GS**, en réglant avant tout une centrale MASTER, qui aura le contrôle de toutes les autres, nécessairement réglées en tant que SLAVES (voir menu logiques).

Régler un numéro de zone (voir menu paramètre) compris entre 0 et 127. Le numéro de zone permet de créer des groupes d'automatisation, chacun d'eux répond au Master de Zone. **Chaque zone peut avoir un seul MASTER.**



Le master de la zone 0 contrôle aussi les Master e les Slaves des autres zones. ATTENTION : la centrale configurée comme master doit être la première de la série.

23.2) Barrières opposés (Fig. AF)

Il est possible de réaliser le contrôle centralisé de deux barrières/portails opposés à l'aide de la connexion série.

Dans ce cas, le tableau de commande Master M1 commandera simultanément la fermeture et l'ouverture du tableau de commande Slave M2.

PROGRAMMATIONS NÉCESSAIRES POUR LE FONCTIONNEMENT:

- Carte MASTER: ZONE=128, MASTER=ON

- Carte SLAVE: ZONE=128, MASTER=OFF

CÂBLAGES NÉCESSAIRES POUR LE FONCTIONNEMENT:

- L'unité de commande MASTER et l'unité de commande SLAVE sont branchées entre elles par le biais de 4 fils (RX/TX) relatifs aux cartes d'interface SCS1;

- Toutes les commandes de mise en marche ainsi que les télécommandes doivent faire référence à la carte MASTER;

- Toutes les cellules photoélectriques (vérifiées et non vérifiées) doivent être connectées à la carte MASTER;

- Les barres de sécurité du vantail MASTER doivent être connectées à l'unité de commande MASTER;

- Les barres de sécurité du vantail SLAVE doivent être connectées à l'unité de commande SLAVE.

24) RÉGLAGE FIN DE COURSE

ATTENTION : avant d'ouvrir le portillon, le ressort doit être débandé (lisse verticale). La barrière dispose de fins de course électroniques programmables et d'un arrêt mécanique par fin de course. Entre la fin de course électrique et l'arrêt mécanique, une marge de rotation (environ 1°) doit être présente aussi bien en fermeture qu'en ouverture (Fig. J).

La programmation des positions de fin de course en ouverture et en fermeture doit être effectuée en modifiant les paramètres de Calibrage de la Cote d'Ouverture et Calibrage de la Cote d'Ouverture: en augmentant la valeur,

les positions des fins de course se déplacent dans le sens de l'ouverture.

25) DEVERROUILLAGE D'URGENCE (Fig. Y)

ATTENTION: S'il se rend nécessaire d'activer le déverrouillage dans un vérin sans lisse, s'assurer que le ressort d'équilibrage n'est pas comprimé (lisse en position d'ouverture).

26) MAUVAIS FONCTIONNEMENT. CAUSES ET REMEDES

26.1) La lisse ne s'ouvre pas. Le moteur ne tourne pas.

ATTENTION: avant d'ouvrir la porte, le ressort doit être déchargé (lisse verticale).

- 1) S'assurer que les cellules photoélectriques ne sont pas sales, ou occultées, ou non alignées. Si cela était le cas, résoudre le problème. Vérifier la barre palpeuse.
- 2) Vérifier la bonne connexion du moteur et du condensateur de marche.
- 3) Vérifier que l'appareillage électronique est alimenté régulièrement. Vérifier l'intégrité des fusibles. En cas de mauvais fonctionnement du fusible, l'extraire (pour le remplacer).
- 4) Avec l'autodiagnostic de l'unité de commande (voir tableau ACCES AUX MENU), contrôler si les fonctions sont exactes. Localiser éventuellement la cause du défaut. Si l'autodiagnostic indique qu'une commande de start persiste, contrôler qu'aucune radiocommande, touche de start ou autre dispositif de commande ne maintienne activé (fermé) le contact de start.
- 5) Si la centrale ne fonctionne pas, la remplacer.
- 6) Vérifier le mouvement des tiges porte-came. Si le mouvement n'est pas fluide, il faut les lubrifier.
- 7) Lubrifier les verquoquets guide-ressort en cas de bruits ou de vibrations.

26.2) La lisse ne s'ouvre pas. Le moteur tourne mais le mouvement n'a pas lieu.

- 1) Le déverrouillage manuel est resté activé. Rétablir le fonctionnement motorisé.
- 2) Si le déverrouillage est en position de fonctionnement motorisé, s'assurer de l'intégrité du réducteur.

TABLEAU "A" - MENU PARAMÈTRES - (PARAM)

PARAMÈTRES	min.	max.	default	Définition	Description
tCR	0	180	10	Temps Fermeture Auto-matique	Temps Fermeture Automatique [s] Programmer avec des chiffres la valeur du temps de fermeture automatique.
c. oUu	40	99	75	Couple ouverture	Couple ouverture [%] Règle la sensibilité à l'obstacle pendant l'ouverture (1=max., 99=min.)
c. FEru	40	99	75	Couple fermeture	Couple fermeture [%] Règle la sensibilité à l'obstacle pendant la fermeture (1=max., 99=min.)
u t. oUu	15	99	99	Vitesse Ouverture	Vitesse Ouverture [%] Programmer avec des barrière la valeur de la vitesse: 1% correspond à la vitesse de ralentissement, 99% à la vitesse maximum.
u t. FEru	15	99	99	Vitesse Fermeture	Vitesse Fermeture [%] Programmer avec des barrière la valeur de la vitesse: 1% correspond à la vitesse de ralentissement, 99% à la vitesse maximum.
t. RLARN	0	240	30	Temps alarme	Temps alarme [%] En cas de relevé d'un obstacle ou d'engagement des cellules photoélectriques pour un délai supérieur à celui programmé (variable de 10 secondes à 240 secondes), le contact SCA se ferme. Le contact est ouvert ensuite par la commande de Stop ou par l'intervention de la fin de course de fermeture. Il est activé uniquement en programmant la logique Alarme SCA sur OFF. S'il est programmé sur 0 s, le contact SCA devient une connexion au système Parky (voir paragraphe Connexion Au Système De Gestion Des Parkings Parky).
FEru	1	10	2	Freinage	Freinage [%] Programmer le freinage à appliquer pendant la phase de ralentissement.
ZONE	0	128	0	Zone	Zone [] Programmer le nombre de zone entre la valeur minimum de 0 et la valeur maximum de 128.
cRL. oUu (par. spécial 1)*	0	100	80	Calibrage cote ouverture	Calibrage cote ouverture [%] Programmer la cote de référence de 0,0 à 100,0 pour la position de fermeture désirée (voir paragraphe Réglage Fin De Course).
cRL. FEru (par. spécial 2)*	0	100	25	Calibrage cote fermeture	Calibrage cote fermeture [%] Programmer la cote de référence de 0,0 à 100,0 pour la position de fermeture désirée (voir paragraphe Réglage Fin De Course).
RcEL (par. spécial 6)*	1	10	3	Accélération	Accélération [%] Programmer l'accélération à appliquer au début de chaque mouvement.
ESP. rRL (par. spécial 18)*	0	99	70	Distance de décélération	Distance de décélération [%] Règle l'espace de rapprochement à la fin de course. Cet espace est effectué à vitesse faible.

*=Refer for universal handheld programmer.

TABLEAU "B" - MENU LOGIQUES - (Logique)

Logique	default	Définition	Cochez réglage accompli	Description																								
t.c.R	ON	Temps Fermeture Automatique	ON	Active la fermeture automatique.																								
			OFF	Exclut la fermeture automatique. Remarque: la fermeture automatique à la relâche du TIMER ne peut pas être désactivée.																								
b.L. i.N.P. o.U.U.	ON	Blocage des Impulsions d'ouverture	ON	L'impulsion de start n'a aucun effet pendant la phase d'ouverture.																								
			OFF	L'impulsion de start a effet pendant la phase d'ouverture.																								
b.L. i.N.P. t.c.R	OFF	Blocage des Impulsions TCA	ON	L'impulsion de start n'a aucun effet pendant la pause TCA.																								
			OFF	L'impulsion de start a effet pendant la pause TCA.																								
2 PAS	OFF	Logique 2 pas	ON	Il active la logique 2 pas (elle prévaut sur la "Logique 3 pas").																								
			OFF	Il désactive la logique 2 pas en activant la logique 4 pas si la "Logique 3 pas" est OFF.																								
3 PAS	ON	Logique 3 pas	ON	Il active la logique 3 pas (si la "Logique 2 pas" est OFF).																								
			OFF	il désactive la logique 3 pas en activant la logique 4 pas si la "Logique 2 pas" est OFF.																								
<i>Réponse à l'impulsion de START</i>																												
<table border="1" style="width: 100%; border-collapse: collapse;"> <thead> <tr> <th style="width: 15%;">Barrière</th> <th style="width: 15%;">2 pas</th> <th style="width: 15%;">3 pas</th> <th style="width: 15%;">4 pas</th> </tr> </thead> <tbody> <tr> <td>fermée</td> <td>ouvre</td> <td>ouvre</td> <td>ouvre</td> </tr> <tr> <td>En fermeture</td> <td>ouvre</td> <td>ouvre</td> <td>stop</td> </tr> <tr> <td>ouverte</td> <td>ferme</td> <td>ferme</td> <td>ferme</td> </tr> <tr> <td>En ouverture</td> <td>ferme</td> <td>stop + TCA</td> <td>stop + TCA</td> </tr> <tr> <td>après stop</td> <td>ouvre</td> <td>ouvre</td> <td>ouvre</td> </tr> </tbody> </table>					Barrière	2 pas	3 pas	4 pas	fermée	ouvre	ouvre	ouvre	En fermeture	ouvre	ouvre	stop	ouverte	ferme	ferme	ferme	En ouverture	ferme	stop + TCA	stop + TCA	après stop	ouvre	ouvre	ouvre
Barrière	2 pas	3 pas	4 pas																									
fermée	ouvre	ouvre	ouvre																									
En fermeture	ouvre	ouvre	stop																									
ouverte	ferme	ferme	ferme																									
En ouverture	ferme	stop + TCA	stop + TCA																									
après stop	ouvre	ouvre	ouvre																									
PrEARL	OFF	Préalarme	ON	Le feu clignotant s'allume environ 3 secondes avant le démarrage du moteur.																								
			OFF	Le feu clignotant s'allume simultanément au démarrage du moteur.																								
hoMME PrES	OFF	Homme présent	ON	Fonctionnement avec homme présent : la manoeuvre continue tant que la pression est maintenue sur les touches de commande OPEN et CLOSE. La radiocommande ne peut pas être utilisée.																								
			OFF	Fonctionnement normal à impulsions.																								
cELL. o.U.U.	ON	Cellules photoélectriques en ouverture	ON	En cas d'occultation, il exclut le fonctionnement de la cellule photo électrique en ouverture. Dans la phase de fermeture, il inverse immédiatement le mouvement.																								
			OFF	En cas d'occultation, les cellules photoélectriques sont actives tant en ouverture qu'en fermeture. Une occultation de la cellule photoélectrique en fermeture ne provoque l'inversion du mouvement qu'après le dégagement de la cellule photoélectrique.																								
FErR RAP	OFF	Fermeture rapide	ON	Ferme la barrière après le dégagement des cellules photoélectriques avant d'attendre la fin du TCA programmé.																								
			OFF	Commande non insérée																								
tEST Phot	OFF	Test des cellules photoélectrique	ON	Il active la vérification des cellules photoélectriques																								
			OFF	Il désactive la vérification des cellules photoélectriques.																								
MASTEeR	OFF	Maître/Esclave	ON	La centrale de commande est réglée comme Maître dans une connexion centralisée.																								
			OFF	La centrale de commande est réglée comme Esclave dans une connexion centralisée.																								
codE FiXE	OFF	Code Fixe	ON	Le récepteur est configuré pour le fonctionnement en modalité code fixe, voir paragraphe "Clonage des Émetteurs radio".																								
			OFF	Le récepteur est configuré pour le fonctionnement en modalité rolling-code, voir paragraphe "Clonage des Émetteurs radio".																								
ProG. rAd io	ON	Programmation des radio commandes	ON	Active la mémorisation par radio des émetteurs: 1 - Appuyer en séquence sur la touche cachée (P1) et sur la touche normale (T1-T2-T3-T4) d'un émetteur déjà mémorisé en modalité standard au moyen du menu radio. 2 - Appuyer dans 10 s sur la touche cachée (P1) et sur la touche normale (T1-T2-T3-T4) d'un émetteur à mémoriser. Le récepteur quitte la modalité programmation après 10s, pendant lesquelles il est possible d'introduire de nouveaux émetteurs. Cette modalité n'exige par l'accès à l'unité de commande. IMPORTANT: Activer l'engagement automatique de nouvelles radiocommandes, clones et replay.																								
			OFF	Désactive la mémorisation par radio des émetteurs. Les émetteurs ne sont mémorisés qu'en utilisant le menu Radio spécialement prévu. IMPORTANT: Désactiver l'engagement automatique de nouvelles radiocommandes, clones et replay.																								
ALARME SCA	ON	Alarme SCA	ON	Le contact SCA (bornes 21-22) a le comportement suivant: - avec la barrière ouverte et en ouverture: contact fermé (témoin allumé) - avec la barrière fermée: contact ouvert (témoin éteint) - en fermeture: contact intermittent (clignotement)																								
			OFF	Le contact SCA se ferme selon les modalités prévues par le paramètre Temps alarme.																								
i.NV. d. r	OFF	Inversion de Direction	ON	Pour les barrières avec le montage à droite (voir Par. Montage droit)																								
			OFF	Pour les barrières avec le montage à gauche.																								
oPEN-t. iNEr (dip spécial 2)*	OFF	Minuterie sur Open (ouvert)	ON	L'entrée entre les deux bornes 15 et 27 fonctionne comme TIMER.																								
			OFF	L'entrée entre les deux bornes 15 et 27 fonctionne comme OPEN.																								

*=Refer for universal handheld programmer.



MENÜZUGRIFF Fig. 1

Legende:

+ ↑

- ↓

OK ↵

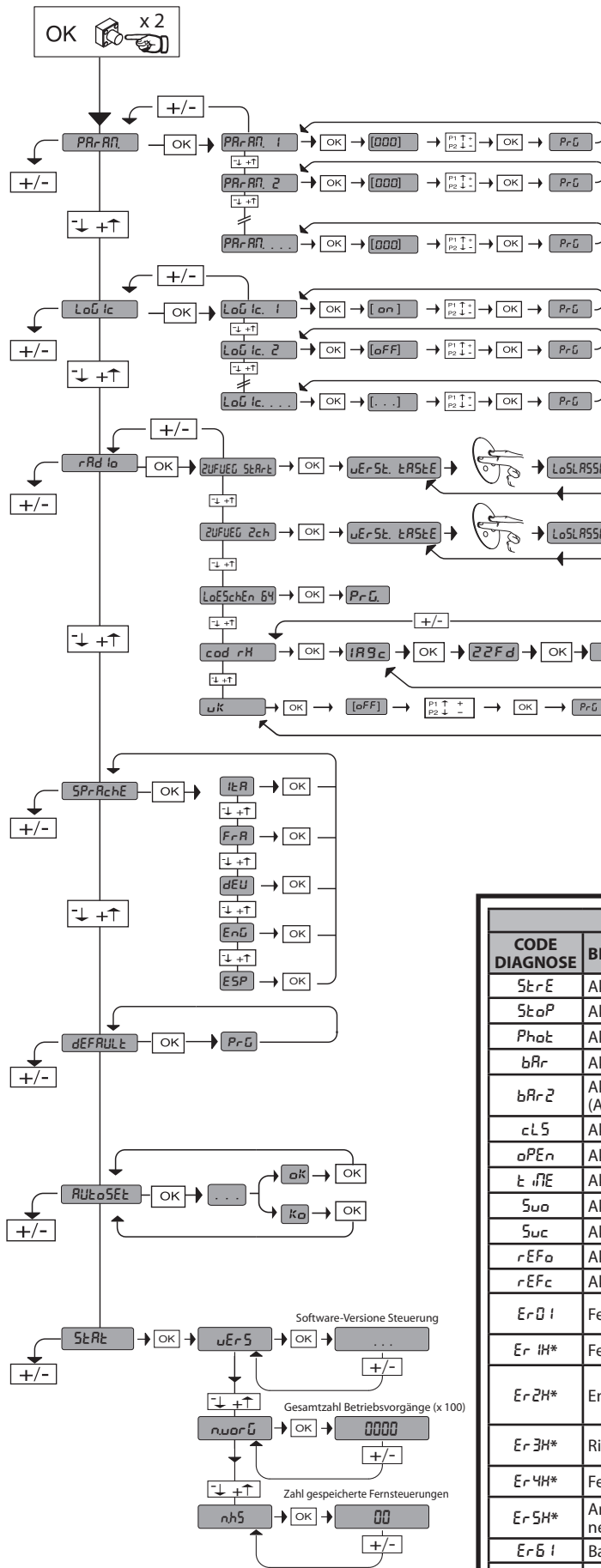
Aufwärts

Abwärts

Bestätigung/
Aufleuchten Display

+ -

Zurück zum Hauptmenü



Siehe MENÜ PARAMETER

Siehe MENÜ LOGIKEN

Siehe MENÜ FUNK

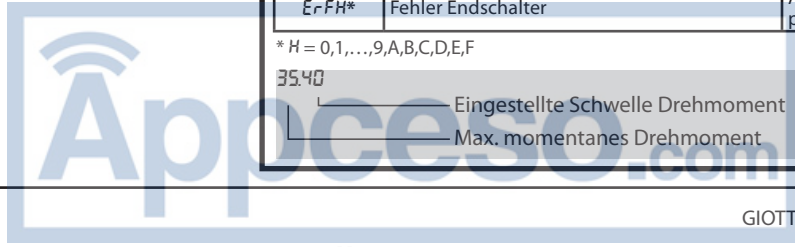
DIAGNOSE und ANZEIGEN		
CODE DIAGNOSE	BESCHREIBUNG	ANMERKUNGEN
StRE	Aktivierung Eingang START	
StOP	Aktivierung Eingang STOPP	
PhoE	Aktivierung Eingang PHOT	
bAr	Aktivierung Eingang LEISTE	
bAr2	Aktivierung Eingang Leiste an Slave-Motor (Anschluss einander entgegengesetzte Flügel)	
cL5	Aktivierung Eingang CLOSE	
oPEn	Aktivierung Eingang OPEN	
tIME	Aktivierung Eingang TIME	
Swa	Aktivierung Eingang Endschalter Öffnung	
Swc	Aktivierung Eingang Endschalter Schließung	
rEFo	Aktivierung Bezugseingang bei Öffnung	
rEFc	Aktivierung Bezugseingang bei Schließung	
Er01	Fehler Test Fotozellen	Anschluss Fotozelle und/oder Einstellung Logiken überprüfen
Er1H*	Fehler Test Hardware Karte	Anschlüsse an Motor überprüfen
Er2H*	Encoderfehler	Stromversorgungskabel des Motors oder des Encodersignals vertauscht bzw. nicht angeschlossen
Er3H*	Richtungswechsel wegen Hindernis	Eventuelle Hindernisse auf dem Weg überprüfen
Er4H*	Fehler Thermoelement	Abkühlen des Motors abwarten
Er5H*	Anomalie Kommunikation mit angeschlossenen Geräten	Serielle Anschlüsse Scs1 überprüfen
Er51	Batteriebetrieb	
ErFH*	Fehler Endschalter	Anschlüsse der Endschalter überprüfen

* H = 0,1,...,9,A,B,C,D,E,F

35,40

— Eingestellte Schwelle Drehmoment

— Max. momentanes Drehmoment



ACHTUNG! Wichtige Hinweise zur Sicherheit. Bitte lesen und befolgen Sie aufmerksam die Hinweise sowie die Bedienungsanleitung, die das Produkt begleitet, denn eine falsche Installation des Produkts kann zu Verletzungen von Menschen und Tieren sowie zu Sachschäden führen. Sie liefern wichtige Hinweise zur Sicherheit, zur Installation, zur Benutzung und zur Wartung. Bewahren Sie die Anweisungen auf, um sie der technischen Dokumentation hinzuzufügen und sie später konsultieren zu können.

1) ALLGEMEINE SICHERHEIT

Dieses Produkt wurde ausschließlich für die in der vorliegenden Dokumentation angegebene Verwendung konzipiert und gefertigt. Andere Verwendungen können zu Beschädigungen des Produkts sowie zu Gefahren führen.

- Die Konstruktionsmaterialien der Maschine und die Installation müssen wo anwendbar den folgenden EU-Richtlinien entsprechen: 2004/108, 2006/95, 2006/42, 89/106, 99/05 sowie den nachfolgenden Abänderungen. In allen Ländern außerhalb der Europäischen Union sollten außer den geltenden nationalen Bestimmungen auch die vorgenannten Normen zur Gewährleistung der Sicherheit befolgt werden.
- Die Firma, die dieses Produkt herstellt (im Folgenden die „Firma“) lehnt jegliche Haftung für Schäden ab, sind zurückzuführen sind auf eine unsachgemäße Benutzung, die von der in der vorliegenden Dokumentation verschieden ist, auf die Nichtbeachtung des Prinzips der sachgerechten Ausführung bei den Türen, Toren usw. oder Verformungen, die während der Benutzung auftreten können.
- Nehmen Sie vor der Installation des Produkts allen strukturellen Änderungen der Sicherheitselemente sowie der Schutz- und Abtrennvorrichtungen aller Bereiche mit Quetschungs- und Abtrenngefahr sowie allgemeinen Gefahren gemäß den Bestimmungen der Normen EN 12604 und 12453 oder der eventuellen lokalen Installationsnormen vor. Stellen Sie sicher, dass die gesamte Struktur die Anforderungen an Robustheit und Stabilität erfüllt.
- Vor der Installation muss die Unversehrtheit des Produkts überprüft werden.
- Die Firma haftet nicht für die Folgen der Nichtbeachtung der Regeln der guten Technik bei der Konstruktion und der Wartung der zu motorisierenden Tür- und Fensterrahmen sowie für Verformungen, die sich während der Benutzung ergeben.
- Stellen Sie bei der Installation sicher, dass das angegebene Temperaturintervall mit dem Installationsort der Automatisierung kompatibel ist.
- Installieren Sie das Produkt nicht in einer explosionsgefährdeten Umgebung. Das Vorhandensein von entzündlichen Gasen stellt eine große Gefahr für die Sicherheit dar.
- Unterbrechen Sie vor sämtlichen Eingriffen an der Anlage die Stromversorgung. Klemmen Sie falls vorhanden auch die eventuellen Pufferbatterien ab.
- Stellen Sie vor der Ausführung des elektrischen Anschlusses sicher, dass die Daten auf dem Typenschild mit denen des Stromnetzes übereinstimmen und, dass der elektrische Anlage ein Differentialschalter sowie ein angemessener Schutz gegen Überstrom vorgeschaltet sind. Schalten Sie der Stromversorgung der Automatisierung einen Schalter oder einen allpoligen thermomagnetischen Schutzschalter mit einer Kontaktöffnung vor, die den geltenden gesetzlichen Bestimmungen entsprechen.
- Stellen Sie sicher, dass der Stromversorgung ein Differentialschalter mit einer Eingriffsschwelle von nicht mehr als 0,03 A vorgeschaltet ist, der den geltenden Normen entspricht.
- Stellen Sie sicher, dass die Anlage ordnungsgemäß geerdet wird: Schließen Sie alle Metallteile der Schließvorrichtung (Türen, Tore usw.) und alle Komponenten der Anlage an, die eine Erdungsklemme aufweisen.
- Die Installation muss unter Verwendung von Sicherheits- und Steuerungsvorrichtungen vorgenommen werden, die der Norm EN 12978 und EN 12453 entsprechen.
- Die Aufprallkräfte können durch die Verwendung von verformbaren Leisten reduziert werden.
- Verwenden Sie elektrosensible oder druckempfindliche Vorrichtungen, falls die Aufprallkräfte die von den Normen vorgesehenen Werte überschreiten.
- Wenden Sie alle Sicherheitsvorrichtungen (Fotozellen, Sensoren usw.) an, die zum Schutz des Gefahrenbereiches gegen Aufprall, Quetschung, Erfassung und Abtrennung von Gliedmaßen erforderlich sind. Berücksichtigen Sie die geltenden Normen und Richtlinien, die Regeln der guten Technik, die Einsatzweise, die Installationsumgebung, die Betriebsweise sowie die vom System entwickelten Kräfte.
- Bringen Sie die von den geltenden Normen zur Ausweisung von Gefahrenbereichen (die Restrisiken) die vorgesehenen Signale an. Alle Installationen müssen wie von EN 13241-1 vorgeschrieben identifiziert werden.
- Bringen Sie nach Abschluss der Installation ein Typenschild an der Tür bzw. am Tor an.
- Dieses Produkt kann nicht an Toren installiert werden, in die Türen integriert sind (es sei denn, der Motor wird ausschließlich bei geschlossener Tür aktiviert).
- Falls die Automatisierung auf einer Höhe von weniger als 2,5 m installiert wird oder zugänglich ist, muss ein angemessener Schutz der elektrischen und mechanischen Bauteile gewährleistet werden.
- Installieren Sie alle feststehenden Bedienelemente so, dass sie keine Gefahren erzeugen und fern von beweglichen Bauteilen. Insbesondere die Totmannvorrichtungen müssen mit direkter Sicht auf den geführten Teil positioniert werden und falls sie keinen Schlüssel aufweisen, müssen sie in einer Höhe von mindestens 1,5 m installiert werden, sodass sie für das Publikum zugänglich sind.
- Bringen Sie zumindest eine optische Anzeigevorrichtung (Blinkleuchte) in gut sichtbarer Position an und befestigen Sie außerdem ein Schild Achtung an der Struktur.
- Bringen Sie einen Aufkleber, der die Funktionsweise der manuellen Entsperrung der Automatisierung angibt, in der Nähe des Manöverorgans an.
- Stellen Sie sicher, dass während des Manövers mechanische Risiken wie Quetschung, Abtrennung und Erfassung zwischen dem geführten Bauteil und dem feststehenden Bauteil vermieden werden.
- Stellen Sie nach der Installation sicher, dass der Motor der Automatisierung richtig eingestellt worden ist und, dass die Schutzsysteme den Betrieb ordnungsgemäß blockieren.
- Verwenden Sie bei allen Wartungs- und Reparaturarbeiten ausschließlich Originalersatzteile. Die Firma haftet nicht für die Sicherheit und den ordnungsgemäßen Betrieb der Automatik, falls Komponenten von anderen Herstellern verwendet werden.
- Nehmen Sie keine Änderungen an den Komponenten der Automatik vor, die von der Firma nicht ausdrücklich genehmigt werden.
- Unterweisen Sie die Benutzer der Anlage hinsichtlich der angewendeten Steuerungssysteme sowie des manuellen Manövers zur Öffnung im Notfall. Händigen Sie das Handbuch dem Endanwender aus.
- Entsorgen Sie die Verpackungsmaterialien (Plastik, Karton, Styropor usw.) unter Beachtung der geltenden Bestimmungen. Halten Sie Plastiktüten und Styropor von Kindern fern.

ANSCHLÜSSE

ACHTUNG! Verwenden Sie für den Anschluss an das Stromnetz: ein mehradriges Kabel mit einem Mindestquerschnitt von $5 \times 1,5 \text{ mm}^2$ oder $4 \times 1,5 \text{ mm}^2$ für die Drehstromspeisung oder $3 \times 1,5 \text{ mm}^2$ für die einphasige Speisung (das Kabel kann zum Beispiel dem Typ H05 VV-F mit Querschnitt von $4 \times 1,5 \text{ mm}^2$ entsprechen). Verwenden Sie für den Anschluss der Zusatzanlage Leiter mit einem Mindestquerschnitt von $0,5 \text{ mm}^2$.

- Verwenden Sie ausschließlich Tasten mit einer Schaltleistung von mindestens 10 A – 250 V.
- Die Leiter müssen in der Nähe der Klemmen zusätzlich befestigt werden (zum Beispiel mit Kabelbindern), um die spannungsführenden Bauteile von den Bauteilen mit niedriger Sicherheitsspannung zu trennen.

Das Netzkabel muss bei der Installation so abisoliert werden, dass der Erdungsleiter an die entsprechende Klemme angeschlossen werden kann. Dabei sollten die beiden anderen Leiter so kurz wie möglich gelassen werden. Der Erdungsleiter muss der letzte sein, der sich löst, falls das Kabel Zug ausgesetzt wird.

ACHTUNG! Die Leiter mit sehr niedriger Sicherheitsspannung müssen von den Leitern mit niedriger Spannung getrennt verlegt werden. Der Zugang zu den spannungsführenden Bauteilen darf ausschließlich für Fachpersonal (professioneller Installateur) möglich sein.

ÜBERPRÜFUNG UND WARTUNG DER AUTOMATISIERUNG

Nehmen Sie vor der Inbetriebnahme der Automatisierung sowie während der Wartungseingriffe eine sorgfältige Kontrolle der folgenden Punkte vor:

- Stellen Sie sicher, dass alle Komponenten sicher befestigt worden sind.
- Überprüfen Sie das Starten und das Anhalten mit manueller Steuerung.
- Überprüfen Sie die normale oder die individuell angepasste Funktionsweise.
- Nur für Schiebetore: stellen Sie sicher, dass die Zahnstange und das Ritzel mit einem Spiel von 2 mm auf der gesamten Länge der Zahnstange ineinander greifen; halten Sie die Gleitschiene immer sauber und frei von Schmutz.
- Nur für Schiebetore und Schiebetüren: Sicherstellen, dass die Gleitschiene des Tors gerade und horizontal ist und, dass die Räder dem Gewicht des Tors angemessen sind.
- Nur für hängende Schiebetore (Cantilever): Sicherstellen, dass während des Manövers keine Absenkung und keine Oszillationen vorhanden sind.
- Nur für angeschlagene Tore: Sicherstellen, dass die Rotationsachse des Torflügels vollkommen vertikal ist.
- Überprüfen Sie den ordnungsgemäßen Betrieb aller Sicherheitsvorrichtungen (Fotozellen, Tastleisten usw.) sowie die richtige Einstellung der Quetschschutzeinrichtung; überprüfen Sie dazu, ob der Wert der Aufprallkraft, der von der Norm EN 12445 vorgeschrieben wird, unterhalb der Angaben in der Norm EN 12453 liegt.
- Die Aufprallkräfte können durch die Verwendung von verformbaren Leisten reduziert werden.
- Überprüfen Sie die Funktionsweise des Notfallmanövers, falls vorgesehen.
- Überprüfen Sie die Öffnung und die Schließung mit angeschlossenen Steuervorrichtungen.
- Überprüfen Sie die elektrischen Anschlüsse und die Verkabelung sowie insbesondere den Zustand der Isolierungen und der Kabeldurchführungen.
- Nehmen Sie während der Wartung eine Reinigung der Linsen der Fotozellen vor.
- Aktivieren Sie während der Nichtbenutzung der Automatisierung der Notfallentsperrung (siehe Abschnitt "NOTFALLMANÖVER"), um den geführten Teil in Leerlauf zu setzen und so das Öffnen und Schließen von Hand zu ermöglichen.
- Falls das Netzkabel beschädigt ist, muss es vom Hersteller, von dessen Kundendienst oder von ähnlich qualifiziertem Personal ausgewechselt werden, um alle Risiken zu vermeiden.
- Bei Installation von Vorrichtungen vom Typ "D" (wie definiert von EN 12453) mit nicht überprüfem Anschluss wird eine obligatorische Wartung mit zumindest halbjährlicher Frequenz vorgeschrieben.

ACHTUNG!

Die Motorisierung dient zur Vereinfachung der Benutzung des Tors bzw. der Tür und sie löst keine Installations- oder Wartungsmängel.

VERSCHROTTUNG

Bei der Entsorgung der Materialien müssen die geltenden Bestimmungen beachtet werden. Bei der Verschrottung der Automatisierung gibt es keine besonderen Risiken, die auf der Automatisierung selbst beruhen. Bei der Wiederverwertung der Materialien sollte sie nach Typen getrennt werden (elektrische Teile - Kupfer - Aluminium - Kunststoff usw.).

ENTSORGUNG

Falls die Automatisierung ausgebaut wird, um an einem anderen Ort wieder eingebaut zu werden, muss Folgendes beachtet werden:

- Unterbrechen Sie die Stromversorgung und klemmen Sie die gesamte elektrische Anlage ab.
- Entfernen Sie den Trieb von der Befestigungsbasis.
- Bauen Sie sämtliche Komponenten der Installation ab.
- Nehmen Sie die Ersetzung der Bauteile vor, die nicht ausgebaut werden können oder beschädigt sind.

Alles, was im Installationshandbuch nicht ausdrücklich vorgesehen ist, ist untersagt. Der ordnungsgemäße Betrieb des Triebs kann nur garantiert werden, wenn alle angegebenen Daten eingehalten werden. Die Firma haftet nicht für Schäden, die auf die Nichtbeachtung der Hinweise im vorliegenden Handbuch zurückzuführen sind. Unter Beibehaltung der wesentlichen Eigenschaften des Produktes kann die Firma jederzeit und ohne Verpflichtung zur Aktualisierung des vorliegenden Handbuchs Änderungen zur technischen, konstruktiven oder handelstechnischen Verbesserung vornehmen.

2) ALLGEMEINES

Kompakte elektromechanische Schranke zum Absperrn von Privatgrundstücken, Parkplätzen oder Zufahrten. Erhältlich für Durchfahrtsbreiten von 3 bis 5 Metern. Einstellbare elektronische Endlagenschalter garantieren dafür, dass der Baum an der richtigen Stelle anhält. Die Notfallentriegelung für die Handbedienung wird durch über ein Schloss veranlasst, in das nur ein individueller Schlüssel passt.

Der Antrieb ist bei der Lieferung standardmäßig für den linksseitigen Aufbau ausgelegt.

Bei Bedarf kann die Öffnungsrichtung jedoch mit einfachen Handgriffen umgekehrt werden.

Die Grundplatte des Modells CBO (auf Anfrage erhältlich) erleichtert die Schrankeninstallation.

Bereits vorhandene Vorrichtungen vereinfachen die Zubehörmontage, ohne dass Bohrungen notwendig sind.

Die Steuerung **LIBRA-C-G/LIBRA-C-GS** wird vom Hersteller mit Standard-einstellungen geliefert, die auf dem integrierten Display oder mittels Universal-Programmiergerät änderbar sind.

3) TECHNISCHE DATEN

MOTOR	
Versorgungsspannung:	230V±10% 50Hz(*)
Leistungsaufnahme:	300W (GIOTTO S BT 30/ GIOTTO S BT 50)
	250W (GIOTTO BT 30/ GIOTTO BT 50)
Interne Schmierung:	Dauerfett
Max. Drehmoment:	280 Nm (GIOTTO S BT 30)
	380 Nm (GIOTTO S BT 50)
	250 Nm (GIOTTO BT 30)
	350 Nm (GIOTTO BT 50)
Öffnungsdauer:	2,5s (GIOTTO S BT 30)
	4s (GIOTTO S BT 50 / GIOTTO BT 30)
	5s (GIOTTO BT 50)
Baumlänge:	3 m (GIOTTO S BT 30/ GIOTTO BT 30)
	5 m (GIOTTO S BT 50/ GIOTTO BT 50)
	6 m [(GIOTTO BT 50/ GIOTTO S BT 50) + ATG6]
Mechanische Handentriegelung:	Individueller Schlüssel
Baumart:	rechteckig
Fins de course:	Eingebaute, elektronisch einstellbare Endschalter
Benutzungstyp	intensiv (GIOTTO S BT 30/ GIOTTO S BT 50)
	halbintensiv (GIOTTO BT 30/ GIOTTO BT 50)
Betriebstemperatur:	-20°C bis +55°C
Schutzart:	IP 54
Antriebsgewicht (ohne Baum):	41 Kg (GIOTTO S BT 30 / (GIOTTO BT 50)
	42 Kg (GIOTTO S BT 50)
	40 Kg (GIOTTO BT 30)
Abmessungen:	siehe Fig. A
STEUERGERÄT	
Netzisolierung/Niederspannung:	> 2MΩhm 500V ---
Spannungsfestigkeit:	Netz/bt 3750V ~ für 1 Minute
Zubehörspeisung:	24V~(180mA Aufnahme max)
Kontrollampe Tor offen:	24V~ 3W max
Blinkleuchte:	24V~ 25W max
Schmelzsicherungen:	siehe Fig. G
Eingebauter Funkempfänger Rolling-Code:	Frequenz 433,92MHz
Kombinationen:	4 Milliarden
Max. Anzahl abspeicherbare Fernbedienungen:	63
Einstellung Parameter und Optionen:	LCD-Display/Universal-Handprogrammiergerät

(*)= Spezialspannungen auf Anfrage.

Verwendbare Sendertypen:

Alle kompatiblen Sender mit ROLLING CODE  ((CR-Ready))

4.1) GRUNDPLATTE (Fig. B1)**4.2) BEFESTIGUNG VERANKERUNG (Fig. B2)****5) MONTAGE DES ANTRIEBS**

⚠ VORSICHT! Die Schranke ist ausschließlich für durchfahrende Fahrzeuge bestimmt. Fußgänger dürfen den Aktionsbereich der

Anlage nicht passieren. Für sie ist deshalb ein eigener Fußgängerweg vorzusehen.

Die Durchfahrt ist mit der Pflichtbeschilderung aus Fig. A angemessen zu kennzeichnen.

ACHTUNG: Vor dem Öffnen der Klappe muss die Feder entlastet sein (Baum in senkrechter Stellung). Die Gehäuseklappe muss zum Grundstückseigentum gerichtet sein. Befindet sich das Gehäuse, wenn man in der Durchfahrt steht und vom abgesperrten Grundstück wegschaut, auf der linken Seite, ist die Schranke "links", befindet sich das Gehäuse auf der rechten Seite, ist die Schranke "rechts".

Der Antrieb wird stets für die linksseitige Montage vorbereitet geliefert.

6) Montage gauche (Fig. A, B, C, D).**7) Rechtsseitige Montage (Fig. AA)**

- Die Auswuchtung des Schrankenbaumes beschrieben vornehmen.

- An der Steuerung die Betriebslogik für die Reversierung auf ON setzen.

⚠ Achtung: Die Reversierungslogik muss für linksseitig aufgebaute Schranken auf OFF, für Schranken mit rechtsseitigem Aufbau auf ON gesetzt werden. Andernfalls funktionieren die Endlagenschalter nicht oder es wird eine Fehlermeldung bezüglich der Encoderrichtung ausgegeben.

8) AUSBALANCIEREN DER SCHRANKE (Fig. F).**9) ZUBEHÖRVORRICHTUNGEN (Fig. E)**

- Fundamentplatte CBO
- Kit Befestigungssäule Cellula 130 KIT GTO 130
- Feste Gabel für die Auflage der Schranke FAF
- Bewegliches Bein für die Auflage der Schranke GA
- Gedämpftes bewegliches Bein für die Auflage der Schranke GAMA
- Bereits an der Schranke montierte Schürze SB
- Druckempfindliche Leiste BIR
- Kit Beleuchtung für Schranke von 3 m bis 4,5 m KIT GTO LIGHT 3
- Kit Beleuchtung für Schranke von 5 m oder 6 m KIT GTO LIGHT 5
- Unteres oder oberes Abdeckprofil Schranke PCA
- Knickbaum ELL ART
- KIT BAT
- RMM
- THERMO
- GTO ATG-GTO AQG
- ATG 3-ATG 5 -ATG 6
- AQG 3-AQG 5

10) Zubehörvorrichtungen (Begrenzung Länge Schranke und Ausbalancierung (Fig. E1)

Bitte nehmen Sie für weitergehende Informationen zur Installation der Zubehörvorrichtungen auf das entsprechende Installationshandbuch Bezug.

11) Montage Blinkleuchte RADIUS B LTA24R1/ RADIUS B LTA24R2. (FIG. AC)

- Nehmen Sie die Montage und die Verkabelung vor, wie in den Anweisungen RADIUS B LTA24R1/ RADIUS B LTA24R2 angegeben.

12) Montage Fotozelle Cellula 130 / GTO 130 (FIG. AD).**13) VORBEREITUNG DER ELEKTRISCHEN INSTALLATION**

ACHTUNG: Vor dem Öffnen der Klappe muss die Feder entlastet sein (Baum in senkrechter Stellung). Die elektrische Installation (Fig. A) unter Beachtung der für elektrische Anlagen geltenden Vorschriften. Der Netzanschluss ist klar von den Steuerleitungen (Lichtschranke, Sicherheitsleiste, etc.) getrennt zu halten.

In Fig. A werden die Anzahl und der Querschnitt für die Stromkabelänge von 100 Metern angegeben. Sollte sie höher sein, muß der Querschnitt anhand des vorhandenen Leitungswiderstandes berechnet werden. Sind die Steuerleitungen länger als 50 Meter oder erreichen kritische Störbereiche, ist eine Entkopplung der Steuer- und Sicherheitseinrichtungen durch geeignete Relais ratsam.

Hauptbestandteilen einer Anlage sind (Fig. A):

I) Allpoliger geprüfter, ausreichend stromfester Schalter mit Kontaktabstand von mindestens 3,5 mm, versehen mit einer Einrichtung, die die Anlage als Schutz gegen Überlastungen und Kurzschlüsse vom Netz trennen kann. Falls noch nicht vorhanden, muß der Anlage zusätzlich ein geprüfter Fehlerstromschutzschalter mit einer Schwelle von 0.03A vorgeschaltet werden.

Steuerung und Funkempfänger.

S) Schlüsselschalter.

AL) Blinkleuchte.

M) Antriebe.

A) Schrankenbaum.

F) Auflagegabel.

CS) Sicherheitsleiste.

Ft, Fr) Lichtschrankenpaar.

CF) Lichtschrankenständer.

T) Sender 1-2-4 Kanäle.

RMM) Induktionsschleifendetektor (Fig. C1).

LOOP) Induktionsschleife.

14) ELEKTRISCHER ANSCHLUSS (Fig. G)

Nach der Verlegung der Kabel in den Kabelkanälen und der Befestigung der verschiedenen Komponenten der Automatisierung an den vorgesehenen Punkten wird der Anschluss gemäß den Angaben auf den Schaltplänen in den entsprechenden Anweisungshandbüchern vorgenommen. Schließen Sie die Phase, den Nullleiter und die Erdung an (obligatorisch). Das Netzkabel wird mit der entsprechenden Kabelsperrung blockiert, die Kabel der Zubehörvorrichtungen in der Kabelsperrung und der Schutzleiter (Erde) mit der gelb/grünen Isolierung muss an die entsprechende Kabelklemme angeschlossen werden.

VORSICHT: Die Elektroanschlüsse müssen von erfahrenen Fachleuten fachgerecht vorgenommen werden. Dabei ist geeignetes Material zu benutzen, alle geltenden Bestimmungen sind zu beachten.

Die Netzanschlüsse sind klar von den Betriebsanschlüssen zu trennen. Bereiten Sie die elektrische Anlage nach den einschlägigen Vorschriften für elektrische Anlagen.

Der Anlage vorzuschalten ist ein Trennschalter mit Kontaktabstand von mindestens 3,5 mm, versehen mit einem magnetthermischen und Differentialschutz, dessen Höchstlast dem Energieverbrauch des Gerätes angepaßt ist. Benutzen Sie ausschließlich Kabel, z. B. mit einem Querschnitt von 3x1.5mm² (H05VV-F), dessen Typ von den harmonisierten oder nationalen Vorschriften zugelassen ist und dessen Querschnitt den vorgeschalteten Sicherungseinrichtungen, dem Geräteverbrauch und den Installationsgegebenheiten angepaßt ist.

KLEMME	BESCHREIBUNG
1-2	Stromversorgung 230V +/- 10% 50Hz) (1=L) (2=N)
3-4	Nicht verwendet
6-7	Anschlüsse Motor
15-5	Anschlüsse Motor, referenzpunkt beim Schließvorgang
15-8	Anschlüsse Motor, referenzpunkt beim Öffnungsvorgang
9-10	Blinkleuchte (24 V~, 25W)
11-12	Stromversorgung Zubehör: 24 V~ bei Netzbetrieb. 24 V --- (11+,12-)Betrieb ohne Netz und zusätzliches Pufferbatterie-Kit.
13-14	Ausgang Stromversorgung Sicherheitsvorrichtungen (Sender Fotozellen). Anm.: Ausgang nur aktiv während des Manöverzyklusses. 24 V~ Vsafe bei Netzbetrieb. 24V--- (VSafe 13+,14-)Vsafe Betrieb ohne Netz und zusätzliches Pufferbatterie-Kit.
15-16	Taste Befehl START (N.O.). Die Option kann im "Menü Logiken" eingestellt werden. Funktionsweise mit Logiken 2-3-4 Schritte
15-17	Eingang STOP (Ausschaltglied) Der Befehl unterbricht das Manöver. Falls nicht verwendet, überbrückt lassen.
15-18	Eingang FOTOZELLE (N.C.) Funktionsweise mit Logik Fotozelle bei Öffnung. Falls nicht verwendet den Jumper gesetzt lassen.
19	Eingang Überprüfung Sicherheitsvorrichtungen FAULT - PHOT.
15-20	Eingang Tastleiste BAR (Ausschaltglied) Bei der Schließung kehrt der Befehl die Bewegungsrichtung um, bei der Öffnung blockiert er die Bewegung. Jumper eingesteckt lassen, falls nicht verwendet.
21-22	Ausgang Kontrolllampe "Schranke offen" (Kontakt N.O., 24V~/ 3W max) oder wahlweise Alarmausgang (siehe Tabelle „B“, Alarme SCA), Anschluss An Das Parkplatzbewirtschaftungssystem Parky)
23-24 25-26	Encodereingänge
15-27	Taste Befehl OPEN/TIMER (Einschaltglied) Open – Der Befehl führt eine Öffnung aus. Timer – Falls der Kontakt geschlossen ist, öffnen sich die Flügel und bleiben bis zur Öffnung des Kontakts offen. Falls der angeschlossene Kontakt offen ist, schließen sich die Flügel und stellen sich auf den normalen Betrieb ein.
15-28	Taste Befehl CLOSE (N.O.). Der befehl führt eine Schließung aus

15) SICHERHEITSVORRICHTUNGEN Fig. H
Anmerkung: nur empfangende Sicherheitsvorrichtungen mit freiem Wechselkontakt verwenden.

15.1) NICHT ÜBERPRÜFTE VORRICHTUNGEN Fig. H1

15.2) ÜBERPRÜFTE VORRICHTUNGEN Fig. H2 und H3

16) EINSTELLUNGEN

EMPFOHLENE EINSTELLSEQUENZ:
Einstellung der Endschalter (Siehe den entsprechenden Abschnitt) Fig. I
Programmierung Fernbedienung
Eventuelle Einstellungen der Parameter / Logiken

17) MENÜ PARAMETER (PR-RF)
(TABELLE "A" PARAMETER)

18) MENÜ LOGIKEN (LOGIC)
(TABELLE "B" LOGIKEN)

19) MENÜ FUNK (RF ID)

Logik	Beschreibung
ZUFÜG START	Hinzufügen Taste Start Ordnet die gewünschte Taste dem Befehl Start zu
LoESchen 64	Liste löschen ACHTUNG! Entfernt alle abgespeicherten Fernbedienungen aus dem Speicher des Empfängers
cod rH	Lesen Code Empfänger Zeigt den Code des Empfängers an, der für das Clonen der Fernbedienungen erforderlich ist.
uk	ON =Befähigt die Fernprogrammierung der Karten über einen zuvor abgespeicherten Sender W LINK. Dieser Befähigung bleibt nach dem letzten Drücken der Fernbedienung W LINK drei Minuten aktiv. OFF = Programmierung W LINK deaktiviert.

- WICHTIGER HINWEIS: KENNZEICHNEN SIE DEN ERSTEN ABGESPEICHERTEN SENDE MIT DER SCHLÜSSEL-MARKE (MASTER).

Bei der manuellen Programmierung vergibt der erste Sender den SCHLÜSSELCODE DES EMPFÄNGERS; dieser Code ist für das anschließende Clonen der Funkbedienungen erforderlich.

Der eingebaute Empfänger Clonix weist außerdem einige wichtige erweiterte Funktionen auf:

- Clonen des Master-Senders (Rolling-Code oder fester Code)
- Clonen zur Ersetzung von bereits in den Empfänger eingegebenen Sendern
- Verwaltung der Datenbank der Sender
- Verwaltung Empfängergruppe

Bitte nehmen Sie für die Benutzung dieser erweiterten Funktionen auf die Anweisungen des Universal-Handprogrammiergerät und die Programmierungsanleitung CLONIX Bezug, die zusammen mit den Universal-Handprogrammiergerät geliefert werden.

20) MENÜ DEFAULT (DEFAULT)

Stellt die Steuereinheit auf die Defaultwerte zurück.

21) MENÜ SPRACHE (SPRACHE)

Gestattet die Einstellung der Displaysprache der Programmierereinheit.

22) MENÜ STATISTIKEN

- Gestattet das Anzeigen:
- der Version der Karte
 - der Gesamtzahl der von der Automatisierung ausgeführten Manöver
 - der Anzahl der im integrierten Empfänger abgespeicherten Fernbedienungen

23) ANSCHLUSS AN DAS PARKPLATZBEWIRTSCHAFTUNGSSYSTEM PARKY

Die Platine kann so konfiguriert werden, dass ein Ausgang für die Kontrolle des Schrankenstatus zur Verfügung gestellt wird. Deaktiviert man die Alarmlogik SCA (OFF) und setzt man den Parameter Alarmzeit auf 0 s, so ist der Kontakt SCA (21-22) folgendermaßen konfiguriert (Fig. G):

- Kontakt zwischen den Klemmen **21-22** bei **abgesenkter Schranke geschlossen**
- Kontakt zwischen den Klemmen **21-22** bei **hochgefahrener Schranke geöffnet**

23.1) SERIELLE VERBINDUNG MIT KARTE SCS1 (Fig. AE)

Die Bedientafel **LIBRA-C-G/LIBRA-C-GS** gestattet über die entsprechenden seriellen Ein- und Ausgänge (SCS1) das zentralisierte Anschließen mehrerer Automatisierungen. Auf diese Weise ist es möglich, mit einer einzigen Steuerung die Öffnung oder die Schließung aller angeschlossenen Automatisierungen auszuführen.

Befolgen Sie beim Anschließen aller Steuerungskarten den Schaltplan von Fig. AE und verwenden Sie dabei ausschließlich Telefonschleifen.

Bei Verwendung eines Telefonkabels mit mehreren Leiterpaaren müssen unbedingt die Drähte des gleichen Paares verwendet werden.

Die Länge der Telefonschleife zwischen einem Gerät und dem nächsten darf 250 m nicht überschreiten.

An diesem Punkt müssen die einzelnen Bedientafeln **LIBRA-C-G/LIBRA-C-GS** in geeigneter Weise konfiguriert werden, und das heißt vor allem, dass eine Tafel als zentraler **MASTER** konfiguriert werden muss, der alle anderen, als

SLAVE konfigurierten Karten kontrolliert (siehe Menü Logiken). Geben Sie außerdem die Bereichsnummer (siehe Menü Parameter) zwischen 0 und 127 ein.

Die Bereichsnummer gestattet es, Gruppen von Automatisierungen anzulegen, die jeweils dem Bereichs-Master entsprechen. **Jede Zone kann nur einen Master aufweisen; der Master der Zone 0 kontrolliert auch die Master und Slaves der anderen Zonen.**

ACHTUNG: Das als Master eingestellte Steuergerät muss das erste der Reihe sein.

23.2) Gegenüberliegende Schiebeflügel (Fig. AF)

Durch einen seriellen Anschluss lassen sich zudem zwei gegenüberliegende Schranken / Tore zentral steuern.

In diesem Fall werden mit der Steuerung Master M1 gleichzeitig die Öffnung und Schließung der Steuerung Slave M2 geführt.

NOTWENDIGE BETRIEBSEINSTELLUNGEN:

- Platine MASTER: $ZON\bar{E}=128$, $PARSEr=ON$
- Platine SLAVE: $ZON\bar{E}=128$, $PARSEr=OFF$

NOTWENDIGE BETRIEBSKABEL:

- Die Steuerungen MASTER und SLAVE sind miteinander durch die 4 Drähte (RX/TX) der Schnittstellenkarten SCS1 verbunden;
- Alle Aktivierungsbefehle sowie die Fernbedienungen müssen auf die MASTER-Platine bezogen sein;
- Alle (geprüften wie nicht geprüften) Lichtschranken müssen an den MASTER angeschlossen werden;
- Die Sicherheitsleisten des Flügels MASTER müssen an die Zentrale MASTER angeschlossen werden;
- Die Sicherheitsleisten des Flügels SLAVE müssen an die Zentrale SLAVE angeschlossen werden.

24) EINSTELLUNG DER ENDLAGENSCHALTER

ACHTUNG: Vor dem Öffnen der Klappe muss die Feder entlastet sein (Baum in senkrechter Stellung). Die Schranke besitzt programmierbare elektronische Endlagenschalter und mechanische Halteanschläge. Zwischen dem elektrischen Endschalter und dem mechanischen Halteanschlag muss sowohl bei der Schließung als auch der Öffnung ein Spielraum (ungefähr

1°) zum Drehen verbleiben (Fig. J).

Die Einstellung der Endschalterpositionen für die Öffnung und Schließung erfolgt dadurch, dass die Parameter der Steuerung "Kalibrierung Öffnungsposition" und "Kalibrierung Schließposition" geändert werden: Wird der Parameterwert erhöht, verschieben sich die Endschalterpositionen in Öffnungsrichtung.

25) NOTENTRIEGELUNG (Fig. Y)

ACHTUNG: Stellen Sie sicher, dass die Feder für das Ausbalancieren nicht komprimiert ist, falls die Entsperrung eines Triebes ohne Schranke vorgenommen werden muss (Schranke in geöffneter Position).

26) STÖRUNGEN. GRÜNDE UND ABHILFEN.

26.1) Der Schranke öffnet sich nicht. Motor dreht nicht.

ACHTUNG: Vor dem Öffnen der Klappe muss die Feder entlastet sein (Baum in senkrechter Stellung).

- 1) Kontrollieren, ob die Lichtschranke nicht verschmutzt noch anspricht oder richtig ausgerichtet ist. Je nach Ergebnis weiter verfahren. Sicherheitsleiste überprüfen.
- 2) Den korrekten Anschluß von Motor und Betriebskondensator kontrollieren.
- 3) Prüfen, ob das elektrische Zubehör ordnungsgemäß gespeist wird. Die Funktionsfähigkeit der Sicherungen kontrollieren. Falls die Sicherung nicht funktioniert, muss sie entnommen (und ausgetauscht) werden.
- 4) Mit der Autodiagnose der Steuerung (siehe MENÜZUGRIFF) wird kontrolliert, ob die Funktionen korrekt arbeiten. Falls ein Fehler auftritt, ist seine Ursache zu ermitteln. Wenn die Autodiagnose anzeigt, daß ein Startbefehl erteilt wird, kontrollieren Sie bitte, ob Fernbedienungen, Startknöpfe oder andere Steuerungsvorrichtungen den Startkontakt aktivieren (geschlossen halten).
- 5) Wenn die Steuerung nicht funktioniert, sollte sie ersetzt werden.
- 6) Prüfen Sie die Funktion der Mikroschalter für die Referenzpunkte, indem Sie die Meldungen auf dem Display der Steuerung prüfen.
- 7) Die Federführungsstangen fetten, falls ungewöhnliche Geräusche oder Vibrationen auftreten.

26.2) Der Schrankenbaum öffnet sich nicht. Der Motor dreht, aber es erfolgt keine Bewegung.

- 1) Die Notentriegelung ist betätigt worden. Die Entriegelung in den Normalbetrieb zurückdrehen.
- 2) Wenn die Notentriegelung auf Motorbetrieb steht, die Funktionsfähigkeit des Getriebemotors überprüfen.

TABELLE "A" - MENÜ PARAMETER - (PARAF)

Parameter	min.	max.	default	Definition	Beschreibung
t_{cA}	0	180	10	Zeit Schließautomatik	Zeit Schließautomatik [s] Vorzugeben ist ein Zeitwert nach dessen Ablauf die automatische Schließung erfolgt.
d_{RUF}	40	99	75	Drehmomente Motoren Öffnung	Drehmoment Öffnung [%] Stellt die Sensibilität am Hindernis bei der Öffnung ein (1=max., 99=min.)
d_{ZU}	40	99	75	Drehmoment Motoren Schließung	Drehmoment Schließung [%] Stellt die Sensibilität am Hindernis bei der Schließung ein (1=max., 99=min.)
$OFFNUNGSGE-SCHW$	15	99	99	Geschwindigkeit Öffnung	Betriebsgeschwindigkeit bei der Öffnung- Eingestellt wird der Schranke für die Geschwindigkeit: 1% entspricht der Geschwindigkeit beim Soft-Stopp, 99% der Höchstgeschwindigkeit.
$SCHLIEBGE-SCHW$	15	99	99	Geschwindigkeit Schließung	Betriebsgeschwindigkeit bei der Schließung- Eingestellt wird der Schranke für die Geschwindigkeit: 1% entspricht der Geschwindigkeit beim Soft-Stopp, 99% der Höchstgeschwindigkeit.
t_{ALAR}	0	240	30	Alarmzeit	Alarmzeit [%] Bei einer Hinderniserfassung oder einem Ansprechen der Fotozellen für eine längere als die eingestellte Dauer (variabel zwischen 10 s und 240 s) wird der Kontakt SCA hergestellt. Dieser wird anschließend bei Erteilung des Stoppbefehls oder bei Betätigung der Schließendeschalter geöffnet. Diese Funktion ist nur dann aktiviert, wenn die Alarmlogik SCA auf OFF gesetzt ist. Bei einem Einstellwert von 0 s bildet der Kontakt SCA die Verbindung zum Parky-System (siehe Abschnitt Anschluss An Das Parkplatzbewirtschaftungssystem Parky).
$brESE$	1	10	2	Bremmung	Bremmung [%] Einstellung des während des bremsung zur Anwendung kommenden Drehmoments.
$ZON\bar{E}$	0	128	0	Zone	Zone [] Festzulegen ist hier eine Zonennummer zwischen 0 und 128.
OFF_{HRL} (Sonderparameter 1)*	0	100	80	Kalibrierung Öffnungsposition	Kalibrierung Öffnungsposition [%] Hier wird der Referenzpunkt von 0,0 bis 100,0 für die gewünschte Öffnungsposition bestimmt (siehe Abschnitt Einstellung Der Endlagenschalter).
SCH_{HRL} (Sonderparameter 2)*	0	100	25	Kalibrierung Schließposition	Kalibrierung Schließposition [%] Hier wird der Referenzpunkt von 0,0 bis 100,0 für die gewünschte Schließposition bestimmt (siehe Abschnitt Einstellung Der Endlagenschalter).
$bESCHL$ (Sonderparameter 6)*	1	10	3	Beschleunigung	Beschleunigung [%] Die Beschleunigung, die auf den Beginn jeder Bewegung angewendet wird, auf einen Wert zwischen 1% und 99% einstellen.
$t_{E_{LOFFNUNG}}$ (Sonderparameter 18)*	0	99	70	Partielle Öffnung	Partielle Öffnung [%] Gibt den Raum für die Schranke an den Endschalter an. Dieser Abstand wird mit niedriger Geschwindigkeit ausgeführt.

* = Universal-Handprogrammiergerät

MONTAGEANLEITUNG

D81768 00100_03

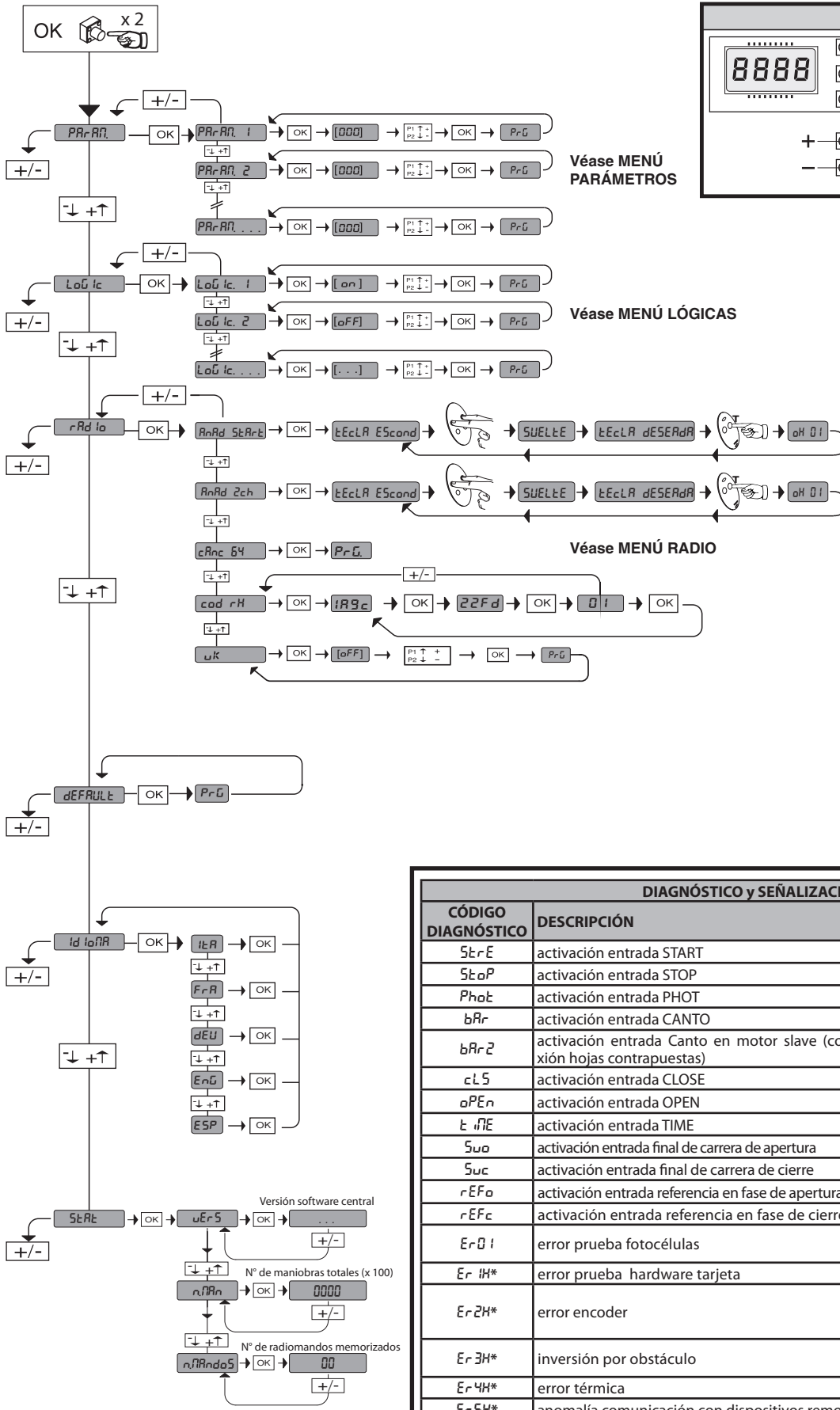
TABELLE "B" - MENÜ LOGIKEN (LÖSUNG)

Logik	default	Definition		Beschreibung																				
tca	ON	Zeit Schließautomat	ON	Aktivierung der Schließautomatik																				
			OFF	Ausschalten der Schließautomatik.																				
impulsbl. auf	ON	Impulssperre in Auf	ON	Ein Startimpuls während der Öffnungsphase hat keine Wirkung																				
			OFF	Ein Startimpuls während der Öffnung hat Wirkung																				
impulsbl. tca	OFF	Impulssperre TCA	ON	Ein Startimpuls während der Pause TCA hat keine Wirkung.																				
			OFF	Ein Startimpuls während der Pause TCA hat Wirkung.																				
2 schritt	OFF	2-Schritt-Logik	ON	Der 2-Schritt-Betrieb ist aktiviert (hat Vorrang vor der "3-Schritt-Logik").																				
			OFF	Der 2-Schritt-Betrieb ist deaktiviert; die 4-Schritt-Logik ist aktiviert, wenn die "3-Schritt-Logik" auf OFF gesetzt ist.																				
3 schritt	ON	Schritt-Logik	ON	Der 3-Schritt-Betrieb ist aktiviert (wenn die "2-Schritt-Logik" auf OFF steht).																				
			OFF	Die 3-Schritt-Logik ist deaktiviert; die 4-Schritt-Logik ist aktiviert, wenn die "2-Schritt-Logik" auf OFF steht.																				
<i>Reaktion auf den STARTIMPULS</i>																								
<table border="1" style="width: 100%; border-collapse: collapse;"> <thead> <tr> <th>Schranke</th> <th>2-Schritt</th> <th>3-Schritt</th> <th>4-Schritt</th> </tr> </thead> <tbody> <tr> <td>geschlossen</td> <td rowspan="2">Öffnung</td> <td rowspan="2">Öffnung</td> <td>Öffnung</td> </tr> <tr> <td>bei Schließung</td> <td>stopp</td> </tr> <tr> <td>offen</td> <td rowspan="2">Schließung</td> <td rowspan="2">Schließung</td> <td>Schließung</td> </tr> <tr> <td>bei Öffnung</td> <td>stopp + TCA</td> </tr> <tr> <td>nach Stopp</td> <td>Öffnung</td> <td>Öffnung</td> <td>Öffnung</td> </tr> </tbody> </table>					Schranke	2-Schritt	3-Schritt	4-Schritt	geschlossen	Öffnung	Öffnung	Öffnung	bei Schließung	stopp	offen	Schließung	Schließung	Schließung	bei Öffnung	stopp + TCA	nach Stopp	Öffnung	Öffnung	Öffnung
Schranke	2-Schritt	3-Schritt	4-Schritt																					
geschlossen	Öffnung	Öffnung	Öffnung																					
bei Schließung			stopp																					
offen	Schließung	Schließung	Schließung																					
bei Öffnung			stopp + TCA																					
nach Stopp	Öffnung	Öffnung	Öffnung																					
uolalarri	OFF	Voralarm	ON	Die Blinkleuchte geht etwa 3 Sekunden vor dem Anspringen des Motors an.																				
			OFF	Die Blinkleuchte geht gleichzeitig mit dem anspringenden Motor an.																				
totman	OFF	Totmannsteuerung	ON	Totmannsteuerung: Der Vorgang wird solange fortgesetzt, wie die Befehlstasten OPEN und CLOSE gedrückt gehalten werden. Die Fernbedienung ist nicht verwendbar.																				
			OFF	Normaler Impulsbetrieb.																				
foto2. auf	ON	Fotzellen bei Öffnung	ON	Wird die Lichtschranke beim Öffnen verdunkelt, so ist sie nicht in Betrieb. Beim Schließen wird die Bewegungsrichtung sofort umgekehrt.																				
			OFF	Wird die Lichtschranke verdunkelt, so wird sie während der Öffnung und Schließung aktiviert. Beim Schließen führt die Verdunkelung erst dann zur Bewegungsumkehr, wenn die Lichtschranke geräumt wurde.																				
schnell-schl. es	OFF	Schnellschließung	ON	Das Schranke wird nach Räumen der Lichtschranke geschlossen, bevor das Ende der eingestellten TCA-Pause erreicht ist.																				
			OFF	Parameter ausgeschaltet																				
test phot	OFF	Lichtschranken-test	ON	Einschalten der Lichtschrankenprüfung																				
			OFF	Ausschalten der Lichtschrankenprüfung																				
master	OFF	Master/Slave	ON	Die Steuerung wird als Master in einer zentralgesteuerten Anlage konfiguriert.																				
			OFF	Die Steuerung wird als Slave in einer zentralgesteuerten Anlage konfiguriert.																				
festcode	OFF	Festcode	ON	Der Empfänger ist für den Betrieb im Festcodemodus eingerichtet, siehe Abschnitt "Klonierung der Funksender"																				
			OFF	Der Empfänger ist für den Betrieb im Rollcodemodus eingerichtet, siehe Abschnitt "Klonierung der Funksender"																				
prog func	ON	Fernbedienungsprogrammierung	ON	Aktiviert die drahtlose Speicherung der Sendeeinrichtungen: 1- Nacheinander die verborgene Taste (P1) und die normale Taste (T1-T2-T3-T4) eines Senders drücken, der bereits über das Fernbedienungs-menü im Standardmodus gespeichert wurde. 2- Nun innerhalb von 10s die verborgene Taste (P1) und die normale Taste (T1-T2-T3-T4) eines zu speichernden Senders betätigen. Der Empfänger verläßt den Programmiermodus nach 10s, innerhalb dieser Zeitspanne können weitere neue Sender eingefügt werden. In diesem Modus muß nicht auf die Steuertafel zugegriffen werden. WICHTIG: Aktiviert die automatische Aufnahme von neuen Funksteuerungen, Klonen und Replay.																				
			OFF	Deaktiviert die drahtlose Speicherung der Sendeeinrichtungen. Die Sender werden nur mit dem entsprechenden Fernbedienungs-menü gespeichert. WICHTIG: Deaktiviert die automatische Aufnahme von neuen Funksteuerungen, Klonen und Replay																				
alarri sca	ON	Alarme SCA	ON	Der Kontakt SCA (Klemmen 21-22) verhält sich wie folgt: - bei offener Schranke beim Öffnen: Kontakt hergestellt (Kontrollampe leuchtet). - bei geschlossener Schranke: Kontakt geöffnet (Kontrollampe aus) - beim Schließen: Aussetzender Kontakt (Blinken)																				
			OFF	Der Kontakt SCA wird hergestellt gemäß den Einstellungen für den Parameter Alarmdauer.																				
inv. dir	OFF	Reversierung	ON	Für rechtsseitig aufgestellte Schranke (siehe Abschn. Rechtsseitige Montage)																				
			OFF	Für linksseitig aufgebaute Schranke																				
open-timer (dip special 2*)	OFF	Timer auf open	ON	Der Eingang zwischen den beiden Klemmen 15-27 arbeitet als TIMER.																				
			OFF	Der Eingang zwischen den beiden Klemmen 15-27 arbeitet als OPEN.																				

* = Universal-Handprogrammiergerät



ACCESO A LOS MENUS Fig. 1



LEGENDA

+ ↑

- ↓

OK ↵

Desplazar hacia arriba

Desplazar hacia abajo

Confirmación/
Encendido pantalla

+ ↶

- ↷

Retorno al menú principal

DIAGNÓSTICO y SEÑALIZACIONES		
CÓDIGO DIAGNÓSTICO	DESCRIPCIÓN	NOTAS
SErE	activación entrada START	
StoP	activación entrada STOP	
Phot	activación entrada PHOT	
bRR	activación entrada CANTO	
bRR-2	activación entrada Canto en motor slave (conexión hojas contrapuestas)	
zLS	activación entrada CLOSE	
oPEn	activación entrada OPEN	
tIME	activación entrada TIME	
Suo	activación entrada final de carrera de apertura	
Suc	activación entrada final de carrera de cierre	
rEFo	activación entrada referencia en fase de apertura	
rEFc	activación entrada referencia en fase de cierre	
ErD i	error prueba fotocélulas	comprobar conexión fotocélulas y/o configuraciones lógicas
ErIH*	error prueba hardware tarjeta	comprobar conexiones al motor
Er2H*	error encoder	cables de alimentación del motor o de la señal encoder invertidos/desconectados
Er3H*	inversión por obstáculo	comprobar eventuales obstáculos a lo largo del recorrido
Er4H*	error térmica	Esperar que el motor se enfríe
Er5H*	anomalía comunicación con dispositivos remotos	comprobar conexiones serial Scs1
ErB i	funcionamiento batterie	
ErFH*	error final de carrera	comprobar conexiones de los finales de carrera

* H = 0,1,...,9,A,B,C,D,E,F

35.40

— Umbral de par configurado
— Par instantáneo máximo del motor

¡ATENCIÓN! Instrucciones de seguridad importantes. Leer y seguir con atención todas las advertencias y las instrucciones que acompañan el producto, ya que la instalación incorrecta puede causar daños a personas, animales o cosas. Las advertencias y las instrucciones brindan importantes indicaciones concernientes a la seguridad, la instalación, el uso y el mantenimiento. Conservar las instrucciones para adjuntarlas a la documentación técnica y para consultas futuras.

SEGURIDAD GENERAL

Este producto ha sido diseñado y fabricado exclusivamente para el uso indicado en la presente documentación. Otros usos diferentes a lo indicado podrían ocasionar daños al producto y ser causa de peligro.

-Los elementos de fabricación de la máquina y la instalación deben presentar conformidad con las siguientes Directivas Europeas, donde se puedan aplicar: 2004/108/CE, 2006/95/CE, 2006/42/CE, 89/106/CE, 99/05/CE y sus posteriores modificaciones. Para todos los países extra CEE, además de las normas nacionales vigentes, para lograr un nivel de seguridad apropiado se deben respetar también las normas antes citadas.

-La Empresa fabricante de este producto (en adelante "empresa") no se responsabiliza por todo aquello que pudiera derivar del uso incorrecto o diferente a aquel para el cual está destinado e indicado en la presente documentación, como tampoco por el incumplimiento de la Buena Técnica en la fabricación de los cierres (puertas, cancelas, etc.), así como por las deformaciones que pudieran producirse durante su uso.

-Antes de instalar el producto, realizar todas las modificaciones estructurales de modo tal que se respeten las distancias de seguridad y para la protección o aislamiento de todas las zonas de aplastamiento, corte, arrastre y de peligro en general, según lo previsto por las normas EN 12604 y 12453 o eventuales normas locales de instalación. Comprobar que la estructura existente cumpla con los requisitos necesarios de resistencia y estabilidad.

-Antes de comenzar la instalación, comprobar la integridad del producto.

-La Empresa no es responsable del cumplimiento de la Buena Técnica en la realización y mantenimiento de los cerramientos por motorizado, como tampoco de las deformaciones que surgieran durante el uso.

-Comprobar que el intervalo de temperatura declarado sea compatible con el lugar destinado para instalar la automatización.

-No instalar este producto en atmósfera explosiva, la presencia de gases o humos inflamables constituye un grave peligro para la seguridad.

-Antes de realizar cualquier intervención en la instalación, interrumpir la alimentación eléctrica. Desconectar también eventuales baterías compensadoras si estuvieran presentes.

-Antes de conectar la alimentación eléctrica, asegurarse de que los datos de placa correspondan a los de la red de distribución eléctrica y que en el origen de la instalación eléctrica haya un interruptor diferencial y una protección de sobrecarga adecuados. En la red de alimentación de la automatización, se debe prever un interruptor o un magnetotérmico omnipolar, con una distancia de apertura de los contactos conforme a lo previsto por las normas vigentes.

-Comprobar que en el origen de la red de alimentación, haya un interruptor diferencial con umbral no superior a 0.03A y conforme a lo previsto por las normas vigentes.

-Comprobar que la instalación de puesta a tierra esté realizada correctamente: conectar a tierra todas las piezas metálicas del cierre (puertas, cancelas, etc.) y todos los componentes de la instalación con borne de tierra.

-La instalación se debe realizar utilizando dispositivos de seguridad y de mandos conformes a la EN 12978 y EN12453.

-Las fuerzas de impacto pueden ser reducidas utilizando cantos deformables.

-Si las fuerzas de impacto superan los valores previstos por las normas, aplicar dispositivos electroinsensibles o sensibles a la presión.

-Aplicar todos los dispositivos de seguridad (fotocélulas, cantos sensibles, etc.) necesarios para proteger el área de peligros de impacto, aplastamiento, arrastre, corte. Tener en cuenta las normativas y las directivas vigentes, los criterios de la Buena Técnica, el uso, el entorno de instalación, la lógica de funcionamiento del sistema y las fuerzas desarrolladas por la automatización.

-Aplicar las señales previstas por las normativas vigentes para identificar las zonas peligrosas (los riesgos residuales). Toda instalación debe estar identificada de manera visible según lo prescrito por la EN13241-1.

-Una vez completada la instalación, colocar una placa de identificación de la puerta/cancela.

-Este producto no se puede instalar en hojas que incorporan puertas (salvo que el motor se active sólo cuando la puerta está cerrada)

-Si la automatización es instalada a una altura inferior a 2,5 m o está al alcance, es necesario garantizar un grado de protección adecuado de las piezas eléctricas y mecánicas.

-Instalar cualquier mando fijo en una posición que no cause peligros y alejado de las piezas móviles. En particular los mandos con hombre presente estén colocados a la vista directa de la parte guiada y, salvo que no sean con llave, se deben instalar a una altura mínima de 1,5 mm y de manera tal de que no sean accesibles para el público.

-Aplicar al menos un dispositivo de señalización luminosa (parpadeante) en posición vertical, además fijar a la estructura un cartel de Atención.

-Fijar de manera permanente una etiqueta correspondiente al funcionamiento del desbloqueo manual de la automatización y colocarla cerca del órgano de maniobra.

-Asegurarse de que durante la maniobra se eviten y se proteja de los riesgos mecánicos y en particular el impacto, el aplastamiento, arrastre, corte entre la parte guiada y las partes fijas alrededor.

-Una vez realizada la instalación, asegurarse de que el ajuste de la automatización del motor esté configurado de manera correcta y que los sistemas de protección y de desbloqueo funcionen correctamente.

-Usar exclusivamente piezas originales para todas las operaciones de mantenimiento y reparación. La Empresa no se responsabiliza de la seguridad y el buen funcionamiento de la automatización, en caso que se utilicen componentes de otros fabricantes.

-No realizar ninguna modificación a los componentes de la automatización si no se cuenta con autorización expresa por parte de la Empresa.

-Instruir al usuario de la instalación sobre los eventuales riesgos residuales, los sistemas de mando aplicados y la ejecución de la maniobra de apertura manual en caso de emergencia: entregar el manual de uso al usuario final.

-Eliminar los materiales de embalaje (plástico, cartón, poliestireno, etc.) según lo previsto por las normas vigentes. No dejar sobres de nylon y poliestireno al alcance de los niños.

CONEXIONES

¡ATENCIÓN! Para la conexión a la red utilizar: cable multipolar de sección mínima de 5x1,5mm² ó 4x1,5mm² para alimentaciones trifásicas o bien 3x1,5mm² para alimentaciones monofásicas (a modo de ejemplo, el cable puede ser del tipo H05 VV-F con sección de 4x1.5mm²). Para la conexión de los dispositivos auxiliares utilizar conductores con sección mínima de 0,5 mm².

- Utilizar exclusivamente pulsadores con capacidad no inferior a 10A-250V.

- Los conductores deben estar unidos por una fijación suplementaria cerca de los bornes (por ejemplo mediante abrazaderas) para mantener bien separadas las partes bajo tensión de las partes con muy baja tensión de seguridad.

- Durante la instalación se debe quitar la funda del cable de alimentación para permitir la conexión del conductor de tierra al borne específico, dejando los conductores activos lo más cortos posible. El conductor de tierra debe ser el último a tensarse en caso de aflojamiento del dispositivo de fijación del cable.

¡ATENCIÓN! los conductores a muy baja tensión de seguridad se deben mantener físicamente separados de los circuitos a baja tensión.

La accesibilidad a las partes bajo tensión debe ser posible exclusivamente para el personal cualificado (instalador profesional).

CONTROL DE LA AUTOMATIZACIÓN Y MANTENIMIENTO

Antes de que la automatización quede definitivamente operativa, y durante las intervenciones de mantenimiento, controlar estrictamente lo siguiente:

-Comprobar que todos los componentes estén fijados firmemente.

-Controlar la operación de arranque y parada en el caso de mando manual.

-Controlar la lógica de funcionamiento normal o personalizada.

-Sólo para cancelas correderas: comprobar el correcto engranaje de la cremallera - piñón con un juego de 2 mm a lo largo de toda la cremallera; mantener el carril de desplazamiento siempre limpio y libre de desechos.

-Sólo para cancelas y puertas correderas: comprobar que la vía de desplazamiento de la cancela sea lineal, horizontal y las ruedas sean aptas para soportar el peso de la cancela.

-Sólo para cancelas correderas suspendidas (Cantilever): comprobar que no se produzca ninguna bajada u oscilación durante la maniobra.

-Sólo para cancelas batientes: comprobar que el eje de rotación de las hojas esté en posición perfectamente vertical.

-Controlar el correcto funcionamiento de todos los dispositivos de seguridad (fotocélulas, cantos sensibles, etc.) y el correcto ajuste de los dispositivos de seguridad antiaplastamiento, comprobando que el valor de la fuerza de impacto, medido en los puntos previstos por la norma EN 12445, sea inferior a lo indicado en la norma EN 12453.

-Las fuerzas de impacto pueden ser reducidas utilizando cantos deformables.

-Controlar el buen funcionamiento de la maniobra de emergencia donde esté presente.

-Controlar la operación de apertura y cierre con los dispositivos de mando aplicados.

-Comprobar la integridad de las conexiones eléctricas y de los cableados, en particular el estado de las cubiertas aislantes y de los sujetacables.

-Durante el mantenimiento limpiar las ópticas de las fotocélulas.

-Durante el periodo en que la automatización está fuera de servicio, activar el desbloqueo de emergencia (véase apartado "MANIOBRA DE EMERGENCIA"), de manera tal de dejar libre la parte guiada y permitir la apertura y el cierre manual de la cancela.

-Si el cable de alimentación está dañado, el mismo debe ser sustituido por el fabricante o por el servicio de asistencia técnica de éste o por una persona con una capacitación similar, de manera tal de prevenir cualquier riesgo.

-Si se instalan dispositivos de tipo "D" (tal como los define la EN12453), conectados en modo no comprobado, establecer un mantenimiento obligatorio con frecuencia al menos semestral.

¡ATENCIÓN!

Recordar que la motorización sirve para facilitar el uso de la cancela/puerta pero no resuelve problema de defectos o carencias de instalación o de falta de mantenimiento.

DESQUACE

La eliminación de los materiales debe hacerse respetando las normas vigentes. En el caso de desguace de la automatización no existen peligros o riesgos particulares causados por dicha automatización. En caso de recuperación de los materiales, se recomienda que los mismos sean separados por tipo (partes eléctricas - cobre - aluminio - plástico - etc.).

DESMANTELAMIENTO

Si la automatización es desmontada para luego ser montada nuevamente en otro sitio hay que:

Interrumpir la alimentación y desconectar toda la instalación eléctrica.

-Quitar el accionador de la base de fijación.

-Desmontar todos los componentes de la instalación.

-Si algunos componentes no pudieran ser quitados o estuvieran dañados, sustituirlos.

Todo aquello que no expresamente previsto en el manual de instalación, no está permitido. El buen funcionamiento del operador es garantizado sólo si se respetan los datos indicados. La Empresa no se responsabiliza por los daños causados por el incumplimiento de las indicaciones dadas en el presente manual.

Dejando inalteradas las características esenciales del producto, la Empresa se reserva el derecho de realizar, en cualquier momento, modificaciones que considere convenientes para mejorar la técnica, la fabricación y la comercialización del producto, sin comprometerse a actualizar la presente publicación.

2) GENERALIDADES

Barrera electromecánica compacta adecuada para limitar áreas privadas, aparcamientos y accesos para uso exclusivamente vehicular. Disponible para aberturas de paso de 3 a 5 metros. La correcta posición de bloqueo del asta resulta garantizada por unos fines de carrera electromecánicos regulables. El desbloqueo de emergencia para la maniobra manual se activa por medio de una cerradura con llave personalizada.

El servomotor se suministra siempre predispuesto para ser montado a la izquierda. En caso de necesidad, es posible invertir el sentido de apertura con extrema facilidad.

La base de cimentación mod. CBO (disponible a petición) facilita la instalación de la barrera.

Se han previsto una serie de predisposiciones para facilitar la instalación de los accesorios sin necesidad de efectuar agujeros.

El cuadro de mandos **LIBRA-C-G/LIBRA-C-GS** es suministrado por el constructor con configuración estándar. Cualquier variación debe configurarse mediante display incorporado o mediante programador universal.

3) TECHNICAL SPECIFICATIONS

MOTOR	
Alimentación:	230V±10% 50Hz(*)
Potencia absorbida:	300W (GIOTTO S BT 30/ GIOTTO S BT 50) 250W (GIOTTO BT 30/GIOTTO BT 50)
Lubricación interna:	Grasa permanente
Par máx.:	280 Nm (GIOTTO S BT 30)
	380 Nm (GIOTTO S BT 50)
	250 Nm (GIOTTO BT 30)
	350 Nm (GIOTTO BT 50)
Tiempo de apertura:	2,5s (GIOTTO S BT 30)
	4s (GIOTTO S BT 50 / (GIOTTO BT 30)
	5s (GIOTTO BT 50)
Longitud mástil:	3 m (GIOTTO S BT 30/ GIOTTO BT 30)
	5 m (GIOTTO S BT 50/ GIOTTO BT 50)
	6 m [(GIOTTO BT 50/ GIOTTO S BT 50) + ATG6]
Desbloqueo manual mecánico:	llave personalizada
Tipo de asta:	rectangular
Fines de carrera:	eléctricos, incorporados y regulables electrónicamente
Tipo de uso	continuo (GIOTTO S BT 30/ GIOTTO S BT 50)
	semi-intensiva (GIOTTO BT 30/ GIOTTO BT 50)
Temperatura de funcionamiento:	de -20°C a +55°C
Grado de protección:	IP 54
Peso del automatismo (sin asta):	41 Kg (GIOTTO S BT 30 / (GIOTTO BT 50)
	42 Kg (GIOTTO S BT 50)
	40 Kg (GIOTTO BT 30)
Dimensiones:	Véase la fig. A
CENTRAL	
Aislamiento red/baja tensión:	> 2M0hm 500V---
Rigidez dieléctrica:	mains/low voltage 3750V~ for 1 minute
Alimentación accesorios:	24V~ (180 mA max absorption)
Luz de aviso de cancela abierta:	24V~ 3W max
Luz intermitente:	24V~ 25W max
Fusibles:	Véase la Fig. G
Receptor de radio Rolling-Code incorporado:	frecuencia 433.92MHz
Nº combinaciones:	4 mil millones
Nº máx. radiomandos memorizables:	63
Configuración de parámetros y opciones:	Pantalla LCD /programador portátil universal

(*)=Tensiones especiales de alimentación bajo pedido.

Versiones de transmisores que se pueden utilizar:
Todos los transmisores ROLLING CODE compatibles con 

4.1) LOSA DE CIMENTACION (Fig. B1)

4.2) FIJACIÓN TIRANTES (Fig. B2)

5) MONTAJE SERVOMOTOR

¡ATENCIÓN! La barrera debe utilizarse exclusivamente para el tránsito de los vehículos. Los peatones no deben transitar en el área de maniobra del automatismo. Es necesario prever un pasaje

peatonal específico.

El pasaje debe evidenciarse oportunamente con las señales obligatorias evidenciadas en la Fig. A.

ATENCIÓN: Antes de abrir la portezuela, el muelle debe estar destensado (asta vertical). La portezuela de la caja debe estar orientada hacia el lado interior de la finca. Poniéndose en medio de la abertura de paso, mirando hacia el exterior, si la caja está situada a la izquierda, la barrera "es izquierda"; si la caja está situada a la derecha, la barrera "es derecha". **El servomotor se suministra siempre predispuesto para ser montado a la izquierda.**

6) Montaje a izquierdas (Fig. A, B, C, D).

7) Montaje derecho (Fig. AA).

- Equilibrar el asta.
- En el cuadro de mandos, configure en ON la lógica Inversión de la Dirección.

Atención: La lógica Inversión de la Dirección debe configurarse en OFF para barreras con montaje izquierdo, en ON para barreras con montaje derecho. En caso contrario, los fines de carrera no funcionarán o se visualizará un error de dirección encoder.

- Eseguire il bilanciamento dell'asta.
- Nel quadro di comando impostare ad ON la logica Inversione Direzione.

8) EQUILIBRADO DEL MÁSTIL (Fig. F)

9) ACCESORIOS OPCIONALES (Fig.E)

- Base de cimentación CBO
- Kit columna de fijación Cellula 130 KIT GTO 130
- Horquilla fija para apoyo del mástil FAF
- Pie móvil para apoyo del mástil GA
- Pie móvil amortiguado para apoyo del mástil GAMA
- Cercado ya ensamblado al mástil SB
- Banda sensible BIR
- Kit de luces para mástiles de 3m a 4,5m KIT GTO LIGHT 3
- Kit de luces para mástiles de 5m ó 6m KIT GTO LIGHT 5
- Perfil de recubrimiento inferior o superior del mástil PCA
- Barra Articulada ELL ART
- KIT BAT
- RMM
- THERMO
- GTO ATG-GTO AQQ
- ATG 3-ATG 5 -ATG 6
- AQQ 3-AQQ 5

10) Accesorios (límites de longitud del mástil y equilibrado (Fig. E1).

Para más informaciones relativas a la instalación y utilización de los accesorios, consultar el manual de instrucciones respectivo.

11) Montaje luz intermitente RADIUS B LTA24R1/ RADIUS B LTA24R2. (FIG. AC)

- Completar el montaje y el cableado tal como indicado en las instrucciones RADIUS B LTA24R1/ RADIUS B LTA24R2.

12) Montaje Fotocélula Cellula 130 / GTO 130 (FIG. AD).

13) PREDISPOSICION DE LA INSTALACION ELECTRICA

ATENCIÓN: antes de abrir la portezuela se debe descargar el resorte (asta vertical). Hay que predisponer la instalación eléctrica (fig. A) observando las normas vigentes. Es preciso mantener claramente separadas las conexiones de alimentación de red de las conexiones de servicio (fotocélulas, barras sensibles, dispositivos de mando, etc.).

En la fig. A se indica el número de conexiones y la sección para cables de alimentación con una longitud de 100 metros; para longitudes superiores, hay que calcular la sección para la carga real del automatismo. Cuando la longitud de las conexiones auxiliares superen los 50 metros o pasen por zonas críticas debido a las interferencias, se aconseja desconectar los dispositivos de mando y de seguridad con relés adecuados. Los componentes principales de un automatismo son (fig. A):

- I) Interruptor omnipolar homologado de capacidad adecuada, con una abertura de contactos de al menos 3,5 mm y provisto de protección contra las sobrecargas y los cortocircuitos, capaz de cortar el suministro de corriente del automatismo. Si no está ya presente, además hay que colocar antes del automatismo, un interruptor diferencial homologado con un umbral de 0,03A.
- QR) Cuadro de mandos y receptor incorporado.
- S) Selector de llave.
- AL) Luz intermitente.
- M) Servomotores.
- A) Asta.
- F) Horquilla de apoyo.
- CS) Barra sensible.
- Ft,Fr) Par fotocélulas.
- CF) Columna fotocélulas.
- T) Transmisor 1-2-4 canales.
- RMM) Detector de presencia inductivo (Fig. C1).

LOOP) Espiras detector de presencia.

14) CONEXION ELECTRICA (Fig. G)

Una vez pasados los cables eléctricos adecuados en los canales y fijados los varios componentes de la automatización en los puntos predeterminados, se pasa a conectar los mismos según las indicaciones y los esquemas reproducidos en los manuales de instrucción correspondientes. Realizar la conexión de la fase, del neutro y de tierra (obligatoria). El cable de red se debe bloquear en el prensacable específico, los cables de los accesorios en el prensacable, el conductor de protección (tierra) con cubierta aislante de color amarillo/verde, se debe conectar en el borne específico.

ATENCIÓN: Las conexiones eléctricas deben ser realizadas por personal cualificado y experto de conformidad con todas las normas vigentes y utilizando materiales apropiados.

Hay que predisponer la instalación eléctrica teniendo en cuenta las normas vigentes.

Es preciso mantener claramente separadas las conexiones de alimentación de red de las conexiones de servicio.

Antes de la instalación, es necesario instalar un interruptor seccionador con una distancia de abertura de los contactos igual o superior a 3,5 mm, dotado de protección magnetotérmica y diferencial de capacidad adecuada al consumo del aparato. Para el cableado, hay que utilizar exclusivamente cables conformes a normas armonizadas o nacionales; deberán ser de sección coordinada con las protecciones colocadas antes del equipo, con el consumo del aparato y con las condiciones de instalación.

BORNE	DESCRIPCIÓN
1-2	Alimentación 230V +/- 10% 50Hz
3-4	No utilizados
6-7	Conexiones del motor
15-5	Conexiones del motor, referencia en fase de cierre
15-8	Conexiones del motor, referencia en fase de apertura
9-10	Indicador parpadeante (24 V~, 25 W)
11-12	Alimentación de accesorios: 24 V~ funcionamiento en presencia de red, 24V--- (11+,12-) funcionamiento en ausencia de red y kit opcional batería compensadora
13-14	Salida alimentación dispositivos de seguridad (transmisor fotocélulas). NOTA IMPORTANTE: salida activa sólo durante el ciclo de maniobra. 24 V Vsafe funcionamiento en presencia de red. 24 V (VSafe 13+,14-) Vsafe funcionamiento en ausencia de red y kit opcional batería compensadora
15-16	Pulsador de mando START (N.O.). La opción se puede programar desde el "menú lógicas". Funcionamiento según lógicas 2-3-4 pasos
15-17	Pulsador de mando STOP (N.C.). En cualquier caso, para la automatización hasta un nuevo start. Si no se usa, dejar puenteado.
15-18	Entrada FOTOCÉLULA (N.C.). Funcionamiento según la lógica fotocélula en fase de apertura. Si no se utiliza, dejar el puente conectado.
19	Entrada comprobación dispositivos de seguridad FAULT - PHOT (N.O.).
15-20	Entrada canto sensible BAR (N.C.). En fase de cierre el mando invierte el movimiento, en fase de apertura el mando bloquea el movimiento. Si no se utiliza, dejar el puente conectado.
21-22	Salida para luz de aviso de barrera abierta (contacto N.O., 24 V~/ 3 W máx.) o, en alternativa, salida para alarma (véase la Tabla "B", Alarma SCA), Conexion Al Sistema De Gestion De Aparcamientos Parky.
23-24-25-26	Entrada para encoder
15-27	Pulsador de mando OPEN/ TIMER (N.O.). Open - El mando realiza una apertura. Timer - Si el contacto es cerrado, las hojas se abren y permanecen abiertas hasta la apertura del contacto. Si el contacto conectado es abierto, las hojas se cierran y se alistan para el funcionamiento normal.
15-28	Pulsador de mando CLOSE (N.O.). El mando realiza un cierre.

15) DISPOSITIVOS DE SEGURIDAD FIG.H

Nota: utilizar solamente dispositivos de seguridad receptores con contacto en intercambio libre.

15.1) DISPOSITIVOS NO COMPROBADOS FIG.H1

15.2) DISPOSITIVOS COMPROBADOS FIG.H2, H3

16) REGULACIONES

SECUENCIA DE REGULACIONES RECOMENDADA:
Regulación de los finales de carrera (Véase apartado de referencia) Fig.I
Programación de radiomando
Eventuales regulaciones de los parámetros / lógicas

17) MENÚ PARÁMETROS (PPr Rn)

(TABLA "A" PARÁMETROS)

18) MENÚ LÓGICAS (L. L. L.)

(TABLA "B" LÓGICAS)

19) MENU RADIO (r Rd id)

Lógica	Descripción
RnRd 5tRr t	Añadir Tecla start asocia la tecla deseada al mando Start
cRnc 54	Eliminar Lista ¡ATENCIÓN! Elimina completamente de la memoria del receptor todos los radiomandos memorizados.
cod rH	Lectura del código receptor Visualiza el código receptor necesario para clonar los radiomandos.
uk	ON = Habilita la programación a distancia de las tarjetas mediante un transmisor W LINK previamente memorizado. Esta habilitación permanece activa 3 minutos desde presión del radiomando W LINK. OFF = Programación W LINK deshabilitada

- NOTA IMPORTANTE: MARCAR EL PRIMER TRANSMISOR MEMORIZADO CON LA ETIQUETA CLAVE (MASTER).

El primer transmisor, en el caso de programación manual, asigna el CÓDIGO CLAVE DEL RECEPTOR; este código es necesario para poder realizar la sucesiva clonación de los radiotransmisores.

El receptor de a bordo incorporado Clonix cuenta con algunas funciones avanzadas importantes:

- Clonación del transmisor master (rolling-code o código fijo)
- Clonación para sustitución de transmisores ya introducidos en el receptor
- Gestión de la base de datos de transmisores
- Gestión de comunidad de receptores

Para el uso de estas funciones avanzadas, consultar las instrucciones del programador portátil universal y la Guía de Programación CLONIX, suministradas con el dispositivo del programador portátil universal.

20) MENÚ DE VALORES PREDETERMINADOS (dE FRUL t)

Lleva nuevamente la central a los valores predeterminados.

21) MENÚ IDIOMA (id idR)

Permite configurar el idioma del programador con pantalla.

22) MENÚ ESTADÍSTICAS

Permite visualizar:

- la versión de la tarjeta
- el número de las maniobras totales realizadas por la automatización
- el número de mandos a distancia memorizados en el receptor integrado

23) CONEXION AL SISTEMA DE GESTION DE APARCAMIENTOS PARKY

La tarjeta puede configurarse poniendo a disposición una salida para el control del estado de la barrera. Deshabilitando la lógica Alarma SCA (OFF) y configurando el parámetro Tiempo Alarma a 0 s, el contacto SCA (21-22) resulta configurado de la siguiente manera (Fig. G): contacto **cerrado** entre los bornes **21-22** con **barrera bajada** contacto **cerrado** entre los bornes **21-22** con **barrera levantada**

23.1) CONEXIÓN SERIAL MEDIANTE TARJETA SCS1 (Fig. AE)

El cuadro de mando **LIBRA-C-G/LIBRA-C-GS** permite, mediante entradas específicas y salidas seriales (SCS1), la conexión centralizada de varias automatizaciones. De este modo se puede, con un único mando, realizar la apertura o el cierre de todas las automatizaciones conectadas.

Siguiendo el esquema de la Fig. AE, conectar todos los cuadros de mando **LIBRA-C-G/LIBRA-C-GS**, utilizando exclusivamente un cable doblado de tipo telefónico.

En el caso que se use un cable telefónico con varios pares, es indispensable utilizar cables del mismo par.

La longitud del cable telefónico entre un aparato y el siguiente no debe exceder los 250 m.

Entonces es necesario configurar debidamente cada cuadro de mando **LIBRA-C-G/LIBRA-C-GS**, configurando en primer lugar una central MASTER, que controlará todas las otras, obligatoriamente fijar como SLAVE (véase el menú lógicas).

Configurar además el número de Zona (véase el menú parámetros) entre 0 y 127.

El número de zona permite crear grupos de automatizaciones, cada una

de las cuales responde al Master de Zona.

Cada zona puede tener un solo Master, el Master de la zona 0 controla también los Master e los Slave de las otras zonas. ATENCIÓN: la central configurada como master debe ser la primera de la serie.

23.2) Cancelas correderas contrapuestas (Fig. AF)

Mediante conexión serial, es posible, además, realizar el control centralizado de dos barreras/cancelas contrapuestas.

En este caso, el cuadro de mandos Master M1 controlará simultáneamente el cierre y la apertura del cuadro de mandos Slave M2.

CONFIGURACIONES NECESARIAS PARA EL FUNCIONAMIENTO:

- Tarjeta MASTER: ZONE=128, MASTER=ON

- Tarjeta SLAVE: ZONE=128, MASTER=OFF

CABLEADOS NECESARIOS PARA EL FUNCIONAMIENTO:

- La central MASTER y la central SLAVE están conectadas entre sí con los 4 hilos (RX/TX) relativos a las tarjetas de interfaz SCS1.

- Todos los mandos de activación, así como los mandos a distancia, deben referirse a la tarjeta MASTER.

- Todas las fotocélulas (controladas y no) deben conectarse al MASTER.

- Las barras de seguridad de la hoja MASTER deben conectarse a la central MASTER;

- Las barras de seguridad de la hoja SLAVE deben conectarse a la central SLAVE.

24) REGULACION DE LOS FINES DE CARRERA

ATENCIÓN: Antes de abrir la portezuela, el muelle debe estar destensado (asta vertical). La barrera dispone de fines de carrera electrónicos programables y de tope mecánico al final de la carrera. Entre el fin de carrera electrónico y el tope mecánico debe permanecer un margen de rotación (de aproximadamente 1º) tanto en fase de cierre como de apertura (Fig. J).

La configuración de las posiciones de fin de carrera de apertura y de cierre debe efectuarse modificando los parámetros del cuadro de mandos Calibrado de la cota de Apertura y Calibrado de la cota de Cierre: aumentando su valor, las posiciones de fin de carrera se desplazan en

el sentido de apertura.

25) DESBLOQUEO DE EMERGENCIA (Fig. Y)

ATENCIÓN! Caso de que resulte necesario activar el dispositivo de desbloqueo en un servomotor sin asta, es preciso asegurarse de que el muelle de equilibrio no esté comprimido (asta en posición de apertura).

26) MALFUNCIONAMIENTO. CAUSAS y REMEDIOS.

26.1) El asta no se abre. El motor no gira. ATENCIÓN: antes de abrir la portezuela se debe descargar el resorte (asta vertical). Hay que realizar lo siguiente:

- 1) Controlar que las fotocélulas no estén sucias u ocupadas o no alineadas. Obrar en consecuencia. Controlar la barra sensible.
- 2) Verificar la correcta conexión del motor y del condensador de marcha.
- 3) Verificar que el equipo electrónico esté alimentado regularmente. Controlar la integridad de los fusibles. En caso de mal funcionamiento del fusible, extraerlo (para sustituirlo)
- 4) Mediante el autodiagnóstico de la central, controlar si las funciones son correctas y, eventualmente, identificar la causa del defecto. Si el autodiagnóstico establece que persiste un comando de start, habrá que controlar que no haya radiomandos, botones de start u otros dispositivos de mando que mantengan activado (cerrado) el contacto de start.
- 5) Si la central no funciona, sustituirla.
- 6) Verificar la intervención de los microinterruptores de referencia controlando los mensajes mostrados en el display del cuadro de mandos.
- 7) Engrasar los tirantes de guía del muelle en caso de ruidos o vibraciones.

26.2) El asta no se abre. El motor gira pero no se produce el movimiento.

- 1) El dispositivo de desbloqueo manual ha quedado conectado. Es preciso reponer el funcionamiento motorizado.
- 2) Si el dispositivo de desbloqueo está en posición de funcionamiento motorizado, controlar la integridad del reductor.

TABLA "A" - MENÚ PARÁMETROS - (PARAR)

PARÁMETROS	min.	máx	Default	Definición	Descripción
t c A	0	180	10	Tiempo Cierre Automático	Tiempo Cierre Automático [s] Hay que configurar numéricamente el valor del tiempo de cierre automático.
P. APERt	40	99	75	Par motores apertura	Par apertura [%] Configura la sensibilidad al obstáculo durante la apertura (1=máx., 99=mín.)
P. c i E r r	40	99	75	Par motores cierre	Par cierre [%] Configura la sensibilidad al obstáculo durante el cierre (1=máx., 99=mín.)
v E L. AP.	15	99	99	Velocidad en fase de Apertura	Velocidad a régimen en fase de apertura [%] Configure numéricamente el valor de velocidad: 1% corresponde a la velocidad de deceleración, 99% a la velocidad máxima.
v E L. c i E	15	99	99	Velocidad en fase de cierre	Velocidad a régimen en fase de cierre [%] Configure numéricamente el valor de velocidad: 1% corresponde a la velocidad de deceleración, 99% a la velocidad máxima.
t. ALARMA	0	240	30	Tiempo de alarma	Tiempo de alarma [%] En caso de detección de obstáculo o de activación de las fotocélulas por un tiempo superior al configurado (variable de 10 a 240 s), el contacto SCA se cierra. El contacto sucesivamente es abierto por el mando Stop o por la intervención del fin de carrera de cierre. Resulta activo únicamente configurando la lógica de Alarma SCA en OFF. Si se configura a 0 s, el contacto SCA se convierte en conexión a sistema Parky (véase el Parágrafo Conexion Al Sistema De Gestion De Aparcamientos Parky).
F r E n o	1	10	2	Frenado	Frenado [%] Configure el frenado de emergencia que se aplicará durante la fase de deceleración.
Z o n E	0	128	0	Zone	Zone [] Hay que configurar el número de zona entre un valor mínimo de 0 y un valor máximo de 128.
a P E n c A L i b. (Par. especial 1)*	0	100	80	Calibrado de la cota de apertura	Calibrado de la cota de apertura [%] Configure la cota de referencia, de 0,0 a 100,0, para la posición de apertura deseada (véase el Parágrafo Regulacion De Los Fines De Carrera).
c L o s. c A L i b. (Par. especial 2)*	0	100	25	Calibrado de la cota de cierre	Calibrado de la cota de cierre [%] Configure la cota de referencia, de 0,0 a 100,0, para la posición de cierre deseada (véase el Parágrafo Regulacion De Los Fines De Carrera).
A c e l. (Par. especial 6)*	1	10	3	Aceleración	Aceleración [%] Configure la aceleración que deberá aplicarse al inicio de cada movimiento.
E s p. d e c e l. (Par. especial 18)*	0	99	70	Espacio de deceleración	Espacio de deceleración Configura el espacio de deceleración en fase de apertura en porcentaje a la carrera total.

* Programador portátil universal.

TABLA B: MENÚ LÓGICA (Lógica)

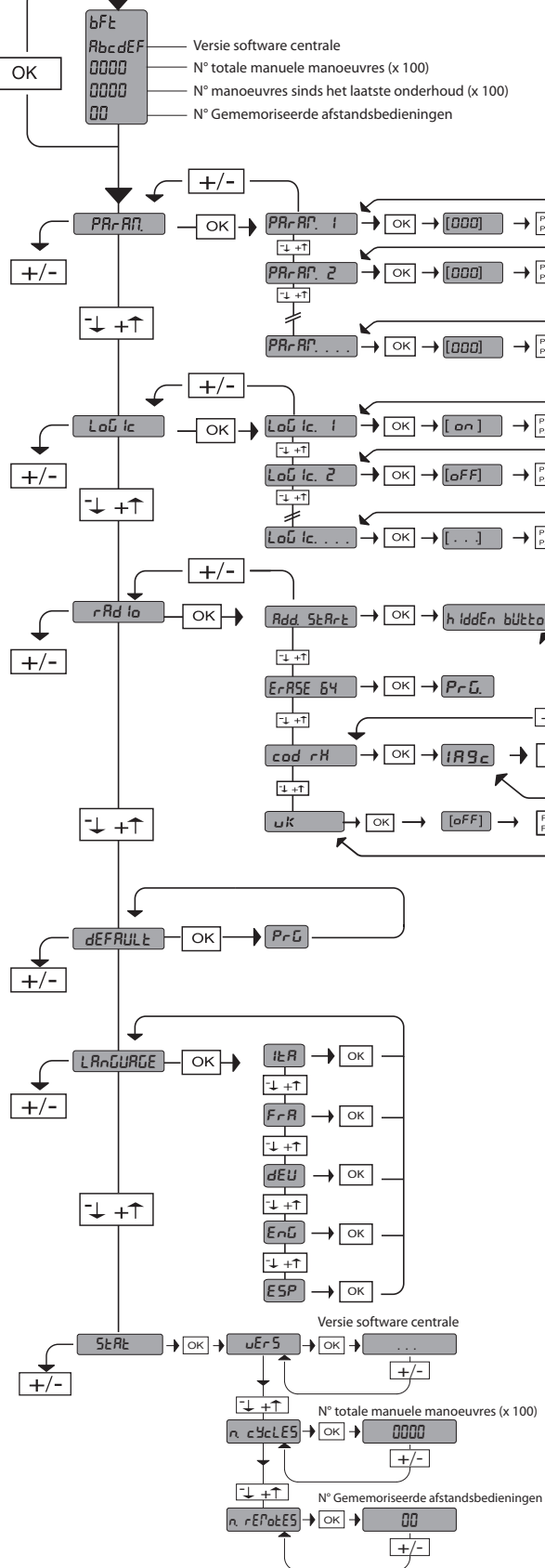
Lógica	Default	Definición	Marcar la configuración realizada	Descripción																								
t c R	ON	Tiempo Cierre Automático	ON	Activa el cierre automático																								
			OFF	Excluye el cierre automático.																								
bL. INP. RP.	ON	Bloquea Impulsos	ON	El impulso de start no tiene ningún efecto durante la fase de apertura.																								
			OFF	El impulso de start tiene efecto durante la fase de apertura o de cierre.																								
bL. INP. t c R	OFF	Bloquea Impulsos TCA	ON	El impulso de start no tiene ningún efecto durante la pausa TCA.																								
			OFF	El impulso de start tiene efecto durante la pausa TCA.																								
2 PASOS	OFF	2 Pasos	ON	Habilita la lógica de 2 pasos (prevalece sobre la "Lógica de 3 pasos").																								
			OFF	Deshabilita la lógica de 2 pasos activando la lógica de 4 pasos si la "Lógica de 3 pasos" está en OFF.																								
3 PASOS	ON	3 Pasos	ON	Habilita la lógica de 3 pasos (si la "Lógica de 2 pasos" está en OFF).																								
			OFF	Deshabilita la lógica de 3 pasos activando la lógica de 4 pasos si la "Lógica de 2 pasos" está en OFF.																								
<i>Respuesta al impulso de START</i>																												
<table border="1" style="width: 100%; border-collapse: collapse;"> <thead> <tr> <th style="width: 25%;">Barrera</th> <th style="width: 12.5%;">2 pasos</th> <th style="width: 12.5%;">3 pasos</th> <th style="width: 12.5%;">4 pasos</th> </tr> </thead> <tbody> <tr> <td>cerrada</td> <td>abre</td> <td>abre</td> <td>abre</td> </tr> <tr> <td>en fase de cierre</td> <td>abre</td> <td>abre</td> <td>stop</td> </tr> <tr> <td>abierta</td> <td>cierra</td> <td>cierra</td> <td>cierra</td> </tr> <tr> <td>en fase de apertura</td> <td>cierra</td> <td>stop + TCA</td> <td>stop + TCA</td> </tr> <tr> <td>después de stop</td> <td>abre</td> <td>abre</td> <td>abre</td> </tr> </tbody> </table>					Barrera	2 pasos	3 pasos	4 pasos	cerrada	abre	abre	abre	en fase de cierre	abre	abre	stop	abierta	cierra	cierra	cierra	en fase de apertura	cierra	stop + TCA	stop + TCA	después de stop	abre	abre	abre
Barrera	2 pasos	3 pasos	4 pasos																									
cerrada	abre	abre	abre																									
en fase de cierre	abre	abre	stop																									
abierta	cierra	cierra	cierra																									
en fase de apertura	cierra	stop + TCA	stop + TCA																									
después de stop	abre	abre	abre																									
PrERL	OFF	Prealarma	ON	El indicador parpadeante se enciende aproximadamente 3 segundos antes de que el motores arranquen.																								
			OFF	El indicador parpadeante se enciende simultáneamente cuando arrancan los motores.																								
hombRE PrES	OFF	Hombre presente	ON	Funcionamiento con hombre presente: la maniobra continúa mientras se mantengan pulsadas las teclas de mando OPEN y CLOSE. No es posible utilizar el radiomando.																								
			OFF	Funcionamiento normal por impulsos.																								
Fotoc. RP	ON	Fotocélulas en fase de apertura	ON	En caso de oscurecimiento, excluye el funcionamiento de la fotocélula en fase de apertura. Durante la fase de cierre, invierte inmediatamente.																								
			OFF	En caso de oscurecimiento, las fotocélulas se activan tanto en fase de apertura como en fase de cierre. Un oscurecimiento de la fotocélula en fase de cierre, invierte el movimiento sólo tras la desactivación de la fotocélula.																								
c i e r r e r RP	OFF	Cierre rápido	ON	Cierra la barrera una vez que las fotocélulas queden libres, sin esperar a que termine el TCA configurado.																								
			OFF	Comando no activado.																								
tEst Phot	OFF	Prueba de fotocélulas	ON	Activa el control de las fotocélulas																								
			OFF	Desactiva el control de las fotocélulas Si está deshabilitado (OFF) inhibe la función de control de las fotocélulas, permitiendo la conexión de dispositivos no equipados con contacto complementario de prueba.																								
MAsTER	OFF	Master/slave	ON	El cuadro de mando es fijado como Master en una conexión serial centralizada.																								
			OFF	El cuadro de mando es fijado como Slave en una conexión serial centralizada.																								
cod. Fijo	OFF	Código Fijo	ON	Pulsadas las teclas de mando OPEN y CLOSE. No es posible utilizar el radiomando.																								
			OFF	Funcionamiento normal por impulsos.																								
ProG rR- d io	ON	Programación radiomandos	ON	Habilita la memorización vía radio de los transmisores: 1- Pulsar en secuencia la tecla oculta (P1) y la tecla normal (T1-T2-T3-T4) de un transmisor ya memorizado en modo estándar a través del menú radio. 2- Dentro de los 10 seg. pulsar la tecla oculta (P1) y la tecla normal (T1-T2-T3-T4) de un transmisor por memorizar. Al cabo de 10 seg., el receptor sale del modo de programación, dentro de este tiempo se pueden incorporar nuevos transmisores. Este modo no requiere el acceso al cuadro de mando. IMPORTANTE: Habilita la activación automática de nuevos radiomandos, clones y replay.																								
			OFF	Deshabilita la memorización vía radio de los transmisores. Los transmisores se memorizan utilizando sólo el menú Radio específico. IMPORTANTE: Deshabilita la activación automática de nuevos radiomandos, clones y replay.																								
ALARMA SCA	ON	Alarma SCA	ON	El contacto SCA (bornes 21-22) tiene el siguiente comportamiento: - Con la barrera abierta y en fase de apertura: contacto cerrado (luz de aviso encendida). - Con la barrera cerrada: contacto abierto (luz de aviso apagada) - En fase de cierre: contacto intermitente (parpadeo)																								
			OFF	El contacto SCA se cierra según las modalidades previstas por el parámetro Tiempo alarma.																								
inv. Mov.	OFF	Inversión del movimiento	ON	Modificar este parámetro si se desea cambiar el sentido de apertura.																								
			OFF	Funcionamiento estándar																								
oPEN-tiMEr (Dip especial 14)*	OFF	Temporizador en open	ON	La entrada entre los dos bornes 15-27 funciona como TEMPORIZADOR.																								
			OFF	La entrada entre los dos bornes 15-27 funciona como OPEN.																								

* Programador portátil universal.



TOEGANG NAAR DE MENU'S Fig. 1

Drukken op de toets OK



LEGENDA

+ ↑ Doorloop op

- ↓ Doorloop naar

OK ← Bevestig/Aanschakeling display

+ ← Terugkeer naar het hoofdmenu

- → Terugkeer naar het hoofdmenu

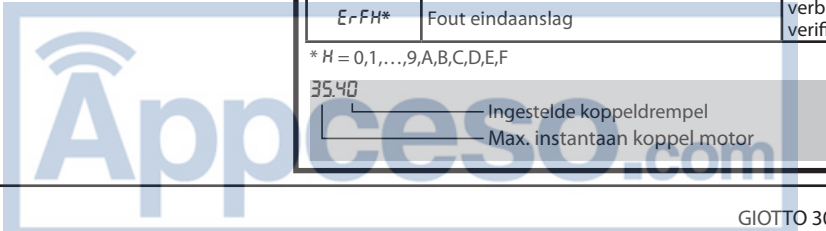
Zie MENU PARAMETERS

Zie MENU LOGICA'S

Zie MENU RADIO

DIAGNOSE en SIGNALERINGEN		
CODE DIAGNOSE	BESCHREIBUNG	OPMERKINGEN
StArE	Activering ingang START	
StoP	Activering ingang STOP	
PhoE	Activering ingang PHOT	
bRr	Activering ingang COSTA	
bRr-2	Activering ingang Bindrand op motor slave (verbinding tegenovergestelde luiken)	
cL5	Activering ingang CLOSE	
oPEn	Activering ingang OPEN	
tIME	Activering ingang TIME	
Suo	Activering ingang aanslag opening	
Suc	Activering ingang aanslag sluiting	
rEFo	Activering referentie-ingang bij opening	
rEFc	Activering referentie-ingang bij sluiting	
Er01	Fout test fotocellen	verbinding fotocellen en/of instellingen logica verifiëren
Er1H*	Fout test hardware kaart	verbindingen naar de motor verifiëren
Er2H*	Fout encoder	voedingskabels van de motor of van het encodersignaal omgekeerd/losgeschakeld
Er3H*	Inversie wegens hindernis	eventuele hindernissen langs het communicatiepad verifiëren
Er4H*	Fout thermische beveiliging	wachten op de afkoeling van de motor
Er5H*	Defect communicatie met remote inrichtingen	verbindingen serieel Scs1 verifiëren
Er61	Werkingsstoring voeding bufferbatterij	
ErFH*	Fout eindaanslag	verbindingen van de eindaanslagen verifiëren

* H = 0,1,...,9,A,B,C,D,E,F



LET OP! Belangrijke veiligheidsinstructies. De waarschuwingen en de instructies die met het product meegeleverd worden zorgvuldig lezen en volgen, aangezien verkeerde installatieschade aan personen, dieren of voorwerpen kan veroorzaken. De waarschuwingen en de instructies geven belangrijke aanwijzingen over de veiligheid, de installatie, het gebruik en het onderhoud. De instructies bewaren om ze aan de technische folder toe te voegen voor toekomstige raadpleging.

ALGEMENE VEILIGHEID

Dit product is uitsluitend ontworpen en gebouwd voor het gebruik aangegeven in deze documentatie. Soorten gebruik anders dan hetgeen aangegeven, zouden schade aan het product en gevaar kunnen veroorzaken.

- De constructie-elementen van de machine en de installatie moeten overeenkomstig de volgende Europese Richtlijnen zijn, indien toepasbaar: 2004/108/CE, 2006/95/CE, 2006/42/CE, 89/106/CE, 99/05/CE en daaropvolgende wijzigingen. Voor alle landen buiten de EEG is het voor een goed veiligheidsniveau nuttig om naast de nationaal geldende normen, ook de genoemde normen in acht te nemen.
- Het Bedrijf wijst iedere willekeurige verantwoordelijkheid af voortkomende uit een verkeerd gebruik of een ander gebruik dan het voorbestemde gebruik en dat aangegeven in deze documentatie, evenals uit het niet in acht nemen van het Goed Gebruik bij de constructie van de sluitingen (deuren, hekken, etc.) en uit de vervormingen die tijdens het gebruik zouden kunnen optreden.
- Alvorens het product te installeren, alle structurele wijzigingen aanbrengen betreffende de verwezenlijking van de vrijboorden en de beveiliging of afscheiding van alle zones met gevaar voor pletting, snijden, meeslepen en algemeen gevaar, volgens hetgeen voorgeschreven wordt door de normen EN 12604 en 12453 of eventuele plaatselijke installatienormen. Controleren of de bestaande structuur over de noodzakelijke vereisten beschikt wat betreft stevigheid en stabiliteit.
- Alvorens te beginnen met de installatie, de goede toestand van het product controleren.
- Het bedrijf is niet verantwoordelijk voor het niet naleven van het Goed Gebruik bij de constructie en het onderhoud van de te motoriseren kozijnen, en van de vervormingen die zich tijdens het gebruik kunnen voordoen.
- Controleren of het opgegeven temperatuurinterval compatibel is met de plek bestemd voor de installatie van het automatiseringssysteem.
- Dit product niet in een explosieve omgeving installeren: de aanwezigheid van gas of ontvlambare rookgassen vormt een ernstig gevaar voor de veiligheid.
- De stroomvoorziening uitschakelen vóór wat voor werkzaamheden dan ook aan de installatie. Ook eventuele bufferbatterijen loskoppelen, indien aanwezig.
- Voordat men de elektrische voeding aansluit, moet men controleren of de gegevens op de plaat overeenstemmen met die van het elektriciteitsnet en of er stroomopwaarts de elektrische installatie een geschikte differentieële drukschakelaar en een geschikte bescherming tegen overstroom staat. Op het voedingsnet van de automatisering zorgen voor een schakelaar of een veelpolige thermomagnetische schakelaar met een openingsafstand van de contacten, conform de voorschriften van de normen in voege.
- Controleren of er zich aan het begin van het voedingsnet een aardlekschakelaar bevindt die de drempel van max. 0,03A en de geldende normen niet overschrijdt.
- Controleren of het aardingsstelsel correct is uitgevoerd: alle metalen delen van de sluiting (deuren, hekken, etc.) en alle onderdelen van de installatie voorzien van aardingsklemmen aarden.
- De installatie moet worden uitgevoerd met gebruik van veiligheidsinrichtingen en bedieningen overeenkomstig EN 12978 en EN12453.
- De botsingskrachten kunnen verminderd worden door middel van het gebruik van vervormbare randen.
- In het geval dat de botsingskrachten de door de normen voorziene waarden overschrijden, inrichtingen aanbrengen die gevoelig zijn voor elektriciteit of druk.
- Alle veiligheidsinrichtingen (fotocellen, gevoelige randen, etc.) aanbrengen die noodzakelijk zijn om het gebied te beschermen tegen gevaren voor botsing, pletting, meeslepen en snijden. Rekening houden met de geldende normen en richtlijnen, de criteria van het Goed Gebruik, het gebruik, de installatieomgeving, de werking van het systeem en de door het automatiseringssysteem ontwikkelde krachten.
- De door de geldende normen voorziene signalen aanbrengen om de gevaarlijke zones aan te duiden (de restrisco's). Iedere installatie moet op zichtbare wijze worden geïdentificeerd volgens hetgeen voorgeschreven door de EN13241-1.
- Na de installatie voltooid te hebben, een identificatieplaat van de deur / het hek aanbrengen.
- Dit product mag niet worden geïnstalleerd op vleugels waarin deuren zijn opgenomen (tenzij de motor uitsluitend kan worden geactiveerd wanneer de deur dicht is).
- Als het automatiseringssysteem is geïnstalleerd op een hoogte van minder dan 2,5 m of als het toegankelijk is, is het noodzakelijk een passende beschermingsgraad van de elektrische en mechanische delen te garanderen.
- Iedere willekeurige vaste bediening zo installeren, dat deze geen gevaar vormt en ver van beweegbare delen is. In het bijzonder de bedieningen bij aanwezig persoon moeten direct zichtbaar zijn vanaf het geleide deel, en, tenzij het gaat om bedieningen met sleutel, moeten deze worden geïnstalleerd op een hoogte van minstens 1,5 m en zodanig dat ze niet toegankelijk zijn voor het publiek.
- Minstens één signaleringsinrichting (knipperend) aanbrengen in een zichtbare positie, en daarnaast een bordje "Let op" aan de structuur bevestigen.
- Op permanente wijze een etiket aanbrengen met betrekking tot de werking van de handmatige deblokkering van het automatiseringssysteem en dit in de buurt van de manoeuvreeringsinrichting aanbrengen.
- Zorg ervoor dat tijdens de manoeuvre de mechanische risico's vermeden en beveiligd worden en dan met name de botsing, de pletting, het meeslepen, het snijden tussen geleide deel en omliggende delen.
- Na de installatie te hebben uitgevoerd, zich ervan verzekeren dat de instelling van het automatiseringssysteem van de motor juist is uitgevoerd en dat de beveiligings- en deblokkeringssystemen juist functioneren.
- Uitsluitend originele reserveonderdelen gebruiken voor alle onderhouds- of reparatiewerkzaamheden. Het Bedrijf wijst iedere willekeurige verantwoordelijkheid af uit veiligheidsredenen en vanwege de goede werking van het automatiseringssysteem, als er onderdelen van andere fabrikanten gebruikt worden.
- Geen enkele wijziging uitvoeren aan de componenten van het automatiseringssysteem, indien niet uitdrukkelijk door het Bedrijf geautoriseerd.
- De gebruiker van de installatie instructies geven wat betreft de restrisco's, de toegepaste bedieningsystemen en de uitvoering van de handmatige openingsmanoeuvre in geval van nood: de gebruikershandleiding aan de eindgebruiker overhandigen.
- Verpakkingsmaterialen (plastic, karton, polystyrol, etc.) verwerken volgens hetgeen voorzien is door de geldende normen. Nylon zakjes en polystyrol buiten bereik van kinderen bewaren.

AANSLUITINGEN

LET OP! Gebruik voor de aansluiting op het netwerk: meeraderige kabel met een doorsnede van min. 5x1,5 mm² of 4x1,5 mm² voor driefase voeding of 3x1,5 mm² voor eenfase voeding (de kabel moet bijvoorbeeld van het type H05 VV-F met doorsnede 4x1,5 mm² zijn). Voor de aansluiting van de hulpapparatuur geleiders gebruiken met een doorsnede van min. 0,5 mm².

- Uitsluitend drukknoppen gebruiken met een werkbelasting van min. 10A-250V.
- De geleiders moeten verbonden worden door een extra bevestiging in de buurt van de klemmen (bijvoorbeeld met behulp van bandjes) om de delen onder spanning duidelijk gescheiden te houden van de delen met zeer lage veiligheidsspanning.
- Tijdens de installatie moet de stroomtoevoerkabel van zijn bekleding ontdaan worden, zodat de aansluiting van de aardgeleider op de geschikte klem mogelijk wordt, terwijl de actieve geleiders echter zo kort mogelijk gelaten worden. De aardgeleider moet de laatste zijn die gerekt wordt in geval van losraken van de bevestigingsinrichting van de kabel.

OPGELET! de geleiders met zeer lage veiligheidsspanning moeten fysiek gescheiden worden van de geleiders met lage spanning.

De toegang tot de delen onder spanning mag uitsluitend mogelijk zijn voor het gekwalificeerde personeel (professionele installateur)

CONTROLE VAN HET AUTOMATISERINGSSYSTEEM EN ONDERHOUD

Alvorens het automatiseringssysteem in werking te stellen, en tijdens de onderhoudswerkzaamheden, nauwgezet het volgende nagaan:

- controleren of alle onderdelen stevig zijn bevestigd;
- de opstart- en stophandelingen in het geval van de handmatige besturing controleren;
- de normale of gepersonaliseerde werking controleren.
- Alleen voor schuifhekkens: de correcte inengrijping tandheugel-rondselas met een speling van 2 mm over de hele tandheugel controleren; de looprail altijd schoon houden en vrij van afval.
- Alleen voor schuifhekkens en -deuren: controleren of de glijrail recht en horizontaal is en of de wielen geschikt zijn voor het gewicht van het hek.
- Alleen voor hangende schuifhekkens (Cantilever): controleren of het hek niet zakt of trilt tijdens de manoeuvre.
- Alleen voor vleugelportalen: controleren of de rotatie-as van de vleugels perfect verticaal is.
- De juiste werking van alle veiligheidsinrichtingen controleren (fotocellen, gevoelige randen, etc.) en de correcte afstelling van de antibeklemmings-veiligheidsinrichting door te controleren of de waarde van de botsingskracht gemeten in de punten voorzien door de norm EN12445, lager is dan hetgeen aangegeven in de norm EN 12453.
- De botsingskrachten kunnen verminderd worden door middel van het gebruik van vervormbare randen.
- De functionaliteit van de noodmanoeuvre controleren, indien aanwezig.
- De openings- of sluitingshandeling met de aangebrachte bedieningsinrichtingen controleren.
- De goede toestand van de elektrische aansluitingen en van de bekabelingen controleren, met name de status van de isolatiekousen en de kabelleiders.
- Tijdens het onderhoud de reiniging van de optieken van de fotocellen uitvoeren.
- Voor de periode waarin het automatiseringssysteem buiten bedrijf is, de nood-deblokkering activeren (zie paragraaf "NOODMANOEUVRE") om het geleide deel los te maken en zo de handmatige opening en sluiting van het hek mogelijk te maken.
- Indien de voedingskabel beschadigd is, moet deze vervangen worden door de fabrikant of door diens technische assistentiedienst of alleszins door een persoon met een soortgelijke kwalificatie, teneinde alle risico's te voorkomen.
- Als er inrichtingen type "D" geïnstalleerd worden (zoals gedefinieerd door EN12453), die anders dan trusted aangesloten zijn, verplicht halfjaarlijks onderhoud voorschrijven.

LET OP!

Vergeet niet dat de motoraandrijving een gemak is bij het gebruik van het hek / de poort en geen oplossing biedt voor problemen door defecten en installatiegebreken of gebrek aan onderhoud.

SLOOP

De verwijdering van de materialen gebeurt met inachtneming van de geldende normen. In het geval van sloop van het automatiseringssysteem bestaan er geen bijzondere gevaren of risico's voortkomende uit het automatiseringssysteem zelf. In geval van terugwinning van de materialen is het nuttig dat deze per type gescheiden worden (elektrische delen - koper - aluminium - plastic - etc.).

ONTMANTELING

In het geval dat het automatiseringssysteem gedemonteerd wordt om op een andere plek opnieuw gemonteerd te worden, is het nodig:

- De stroomvoorziening uit te schakelen en de hele elektrische installatie los te koppelen.
- De actuator van de bevestigingsbasis te verwijderen.
- Alle onderdelen van de installatie te demonteren.
- In het geval dat enkele onderdelen niet verwijderd kunnen worden of beschadigd blijken te zijn, deze vervangen.

Al hetgeen niet uitdrukkelijk voorzien is in de installatiehandleiding, is niet toegestaan. De goede werking van de controller is alleen gegarandeerd, als de vermelde gegevens in acht worden genomen. Het bedrijf is niet gehouden zich te verantwoorden voor de schade veroorzaakt door het niet in acht nemen van de aanwijzingen vermeld in deze handleiding. Terwijl de hoofdkenmerken van het product ongewijzigd blijven, behoudt het Bedrijf zich het recht voor om op ieder willekeurig moment die wijzigingen aan te brengen die zij geschikt acht om het product technisch, constructief en commercieel gezien te verbeteren, zonder deze publicatie te hoeven bijwerken.

2) ALGEMEEN

Compacte elektromechanische slagboom geschikt voor het afzetten van privégebieden, parkeerplaatsen, toegangen die alleen door voertuigen gebruikt worden. Beschikbaar voor doorgangen van 3 tot 5 meter. Afstelbare elektronische aanslagen garanderen de correcte stilstandspositie van de boom. De nood-deblokkering voor de handmatige manoeuvre wordt bestuurd door een slot met gepersonaliseerde sleutel.

De actuator wordt altijd geleverd met voorbereiding voor de montage links. In geval van noodzaak is het hoe dan ook mogelijk de openingsrichting met eenvoudige handelingen om te keren. De ankerplaat mod. CBO (opaanvraag) vereenvoudigt de installatie van de slagboom. Speciale voorbereidingen maken het makkelijker de accessoires te installeren.

Het bedieningspaneel **LIBRA-C-G/LIBRA-C-GS** wordt door de fabrikant met standaard instellingen geleverd. Iedere willekeurige verandering moet worden ingesteld door middel van het geïntegreerde display of door middel van een universele programmabesturing.

3) TECHNISCHE GEGEVENS

MOTOR	
Voeding	230V±10% 50Hz(*)
Max. opgenomen vermogen	300W(GIOTTO S BT 30/ GIOTTO S BT 50) 250W (GIOTTO BT 30/GIOTTO BT 50)
Interne smering	permanent vet
Max. koppel	280 Nm (GIOTTO S BT 30)
	380 Nm (GIOTTO S BT 50)
	250 Nm (GIOTTO BT 30)
	350 Nm (GIOTTO BT 50)
Openingstijd	2,5s (GIOTTO S BT 30)
	4s (GIOTTO S BT 50 / (GIOTTO BT 30)
	5s (GIOTTO BT 50)
Lengte boom	3 m (GIOTTO S BT 30/ GIOTTO BT 30)
	5 m (GIOTTO S BT 50/ GIOTTO BT 50)
	6 m [(GIOTTO BT 50/ GIOTTO S BT 50) + ATG6]
Handmatige mechanische deblokkering	gepersonaliseerde sleutel
Soort boom	rechthoekig
Aanslag	elektrisch, geïntegreerd en elektronisch afstelbaar
Type gebruik	intensief (GIOTTO S BT 30/ GIOTTO S BT 50)
	semi-intensief (GIOTTO BT 30/ GIOTTO BT 50)
Bedrijfstemperatuur	van -20°C tot +55°C
Beschermingsgraad	IP 54
Gewicht actuator (zonder boom)	41 Kg (GIOTTO S BT 30 / (GIOTTO BT 50)
	42 Kg (GIOTTO S BT 50)
	40 Kg (GIOTTO BT 30)
Afmetingen	zie fig. A
BEDIENINGSPANEEL	
Netwerkisolatie/laagspanning	> 2MΩ 500V---
Diëlektrische sterkte	netwerk/bt 3750V~ per 1 minuut
Voeding accessoires	24V~(180 mA absorptie max.)
Verklikkerlichtsignaal slagboom open	24V~ 3W max
Zwaailicht	24V~ 25W max.
Zekeringen	zie Fig. G
Aantal combinaties	4 miljard
Radio-ontvanger Rolling-Code geïntegreerd	frequentie 433.92MHz
Max. aantal afstandsbedieningen die in het geheugen kunnen worden opgeslagen	63
Instelling parameters en opties	LCD-display/universele programmeerbare palmtop

(*)= speciale voedingsspanningen op aanvraag

Versiones de transmisores que se pueden utilizar:

Todos los transmisores ROLLING CODE compatibles con  ((E-Ready))

4.1) GRONDPLAAT (Fig.B1)

4.2) KLEMMEN MET VERGREDELING (Fig.B2)

5) MONTAGE ACTUATOR

OPGELET! De slagboom dient uitsluitend voor de doorgang van voertuigen gebruikt te worden. De voetgangers mogen niet door het manoeuvreeringsgebied van het automatiseringssysteem lopen.

Zorgen voor een speciale voetgangersdoorgang.

De doorgang moet op passende wijze gemarkeerd zijn met de verplichte signalen aangegeven in Fig. A.

OPGELET: alvorens het klepje te openen, moet de veer ontspannen zijn (verticale boom). Het klepje van de kast moet naar de binnenzijde van het eigendom gericht zijn. Als u in de doorgang gaat staan, naar buiten gericht, is met de kast aan de linkerkant de slagboom links; als de kast zich rechts bevindt, is de slagboom rechts. **De actuator wordt altijd geleverd met voorbereiding voor de montage links.**

6) Montage links (Fig. A, B, C, D).

7) Montage rechts (Fig. AA).

- De balancering van de boom uitvoeren zoals aangegeven.
- Op het bedieningsbord de logica Omkering van Richting op ON instellen.

! Opgelet: de logica Omkering van Richting moet op OFF worden geconfigureerd voor slagbomen met montage links, op ON voor slagbomen met montage rechts. In het tegenovergestelde geval werken de aanslagen niet of wordt er een fout van encoderrichting weergegeven.

8) BALANCERING SLAGBOOM (Fig. F).

9) OPTIONELE ACCESSOIRES (Fig.E)

- Verankeringsbasis CBO
- Kit kolombevestiging Cellula 130 KIT GTO 130
- Vaste vork voor steun slagboom FAF
- Mobiele steunvoet voor slagboom GA
- Mobiele steunvoet met schokdemper voor slagboom GAMA
- Afrastering reeds gemonteerd op de slagboom SB
- Gevoelige rand BIR
- Kit lichten voor slagbomen van 3 m tot 4,5 m KIT GTO LIGHT 3
- Kit lichten voor slagbomen van 5 m of 6 m KIT GTO LIGHT 5
- Afdekkingsprofiel voor onderkant of bovenkant slagboom 2
- Charnierende Staaf ELL ART
- KIT BAT
- RMM
- THERMO
- GTO ATG-GTO AQQ
- ATG 3-ATG 5 -ATG 6
- AQQ 3-AQQ 5

10) Accessoires (limieten lengte slagboom en balancering (Fig. E1)

Voor nadere informatie over de installatie en het gebruik van de accessoires, de desbetreffende instructiehandleiding raadplegen.

11) Montage knipperlicht RADIUS B LTA24R1/ RADIUS B LTA24R2. (FIG. AC)

- De montage en de bekabeling voltooiën zoals aangegeven in de instructies RADIUS B LTA24R1/ RADIUS B LTA24R2.

12) Montage Fotocel Cellula 130 / GTO 130 (FIG. AD).

13) VOORBEREIDING VAN DE ELEKTRISCHE INSTALLATIE

OPGELET: alvorens het klepje te openen, moet de veer ontspannen zijn (verticale boom). De elektrische installatie (Fig. A) voorbereiden onder verwijzing naar de geldende normen. De aansluitingen van het voedingsnet duidelijk gescheiden houden van de service-aansluitingen (fotocellen, gevoelige randen, besturingsinrichtingen etc.).

OPGELET! Voor de aansluiting op het netwerk een meeraderige kabel gebruiken met een minimumdoorsnede van 3x1,5mm² en van het type voorzien door de eerder genoemde normen (als de kabel bijvoorbeeld niet beschermd is, moet deze minstens gelijk zijn aan H07 RN-F, en als de kabel daarentegen beschermd is, moet deze minstens gelijk zijn aan H05 VV-F met doorsnede 3x1,5 mm²).

In fig.A word het aantal aansluitingen vermeld en de doorsnede voor een lengte van de voedingskabels van 100 meter; voor grotere lengtes de doorsnede berekenen voor de werkelijke belasting van het automatiseringssysteem. Wanneer de lengte van de secundaire aansluitingen 50 meter overschrijdt of deze door kritische zones lopen vanwege de interferenties, wordt de ont koppeling van de besturings- en veiligheidsinrichtingen met passende relais aangeraden.

De hoofdcomponenten voor een automatiseringssysteem zijn (Fig.A):

- l) Gehomologeerde omnipoalireschakelaar met een passend vermogen met minimum contactopening van 3,5 mm voorzien van beveiliging tegen overbelasting en kortsluiting, in staat om het automatiseringssysteem van het netwerk te scheiden. Aan het begin van de installatie een gehomologeerde omnipoalireschakelaar installeren, indien nog niet aanwezig, met als drempel 0,03A.
- QR) Bedieningspaneel en geïntegreerde ontvanger.
- S) Sleutelschakelaar.
- AL) Zwaailicht.
- M) Actuator.
- A) Boom.
- F) Steunvork.
- CS) Gevoelige rand.

- Ft,Fr) Paar fotocellen.
- CF) Kolom fotocellen.
- T) Zender 1-2-4 kanalen.
- RMM) Inductieve aanwezigheidsdetector (Fig. C1)
- LOOP) Windingen aanwezigheidsdetector.

14) AANSLUITINGEN (FIG. G)

Na de passende elektrische kabels door de kanalen te hebben gevoerd en de verschillende componenten van het automatiseringssysteem op de vooraf gekozen punten bevestigd te hebben, wordt overgegaan tot hun aansluiting volgens de aanwijzingen en de schema's aanwezig in de desbetreffende instructiehandleidingen. De verbinding van de fase, de neutraal en de aarde uitvoeren (verplicht). De netwerkkabel moet geblokkeerd worden in de daarvoor bestemde kabelklem, de kabels van de accessoires in de kabelklem, de gele/groene geïsoleerde beschermingsleiding (aarde) moet worden aangesloten in de daarvoor bestemde inspanklem.

OPGELET: De elektrische aansluitingen moeten worden uitgevoerd door gekwalificeerd en ervaren personeel, vakkundig, overeenkomstig alle geldende normen, met gebruik van passende materialen. De elektrische installatie voorbereiden onder verwijzing naar de geldende normen voor de elektrische installaties. De aansluitingen van het voedingsnet duidelijk gescheiden houden van de service-aansluitingen. Het blijkt noodzakelijk aan het begin van de installatie een lastschakelaar te installeren met minimumafstand contactopening van 3,5 mm, met magnetothermische bescherming en differentieel met passend vermogen aangepast aan het gebruik van het apparaat. Voor de bekabeling alleen kabels gebruiken in overeenstemming met geharmoniseerde of nationale normen met dwarsdoorsnede gecoördineerd met de beveiligingen aan het begin, met het verbruik van het apparaat en met de installatiecondities.

KLEM	BESCHRIJVING
1-2	Voeding 230V +/- 10% 50Hz (1=L) (2=N)
3-4	Niet gebruikt
6-7	Aansluitingen motor
15-5	Aansluitingen motor, referentie bij sluiting
15-8	Aansluitingen motor, referentie bij opening
9-10	Zwaailicht 24V~ max. 25W
11-12	Voeding accessoires: 24 V~ werking bij aanwezigheid van netwerk. 24 V --- (11+,12-) werking bij afwezigheid van netwerk en optionele kit bufferbatterij.
13-14	Uitgang voeding veiligheidsinrichtingen (zender fotocellen). N.B.: uitgang alleen actief tijdens de manoeuvre cyclus. 24 V~ Vsafe werking bij aanwezigheid van netwerk. 24 V --- (Vsafe 13+,14-) Vsafe werking bij afwezigheid van netwerk en optionele kit bufferbatterij.
15-16	Drukknop van bediening START (N.O.). De optie kan ingesteld worden vanuit het "menu logica". Werking volgens logica 2-3-4 stappen.
15-17	Ingang STOP (N.C.) Het commando onderbreekt de manoeuvre. Indien niet gebruikt, de brug niet verwijderen.
15-18	Ingang FOTOCEL (N.C.) Werking volgens de logica fotocel in opening. Indien niet gebruikt de jumper ingeschakeld laten.
19	Ingang controle veiligheidsinrichtingen FAULT - PHOT (N.O.).
15-20	Ingang gevoelige rand BAR (N.C.). Bij sluiting draait het commando de beweging om, bij opening blokkeert het commando de beweging. Indien niet gebruikt, de brug niet verwijderen.
21-22	Uitgang verklikkerlichtsignaal slagboom open (contact N.O., 24V~/ 3W max.) of, als alternatief, uitgang alarm (zie Tabel "B", Alarm SCA), Verbinding Met Beheersysteem Parky-Parkeerplaatsen
23-24-25-26	Ingangen encoder
15-27	Knop commando OPEN/TIMER (N.O.) Open - Het commando voert een opening uit. Timer - Als het contact gesloten is, gaan de vleugels open en blijven ze open tot de opening van het contact. Als het aangesloten contact open is, gaan de vleugels dicht worden ze voorbereid voor de normale werking.
15-28	Drukknop van bediening CLOSE (N.O.). De bediening voert een sluiting uit.

15) VEILIGHEIDSINRICHTINGEN FIG.H

N.B.: alleen ontvangende veiligheidsinrichtingen gebruiken met vrij

uitwisselbaar contact.

15.1) NIET "TRUSTED" VEILIGHEIDSINRICHTINGEN FIG.H1

15.2) "TRUSTED" VEILIGHEIDSINRICHTINGEN FIG.H2, H3

16) AFSTELLINGEN

AANBEVOLEN VOLGORDE AFSTELLINGEN:

- Afstelling van de aanslagen (Zie referentieparagraaf Fig. I
- Programmering afstandsbediening
- Eventuele afstellingen van de parameters / logica's

17) MENU PARAMETERS (PAR-RN)

(TABEL "A" PARAMETERS)

18) Menu Logica's (LOGIC)

(TABELLA "B" LOGICA'S)

19) MENU RADIO (RADIO)

Logica	Beschrijving
Start	Toets start toevoegen associeert de gewenste toets met het commando Start
EL 1 54	Verwijder Lijst OPGELET! Verwijdert alle in het geheugen van de ontvanger opgeslagen afstandsbedieningen volledig.
cod rH	Aflesen code ontvanger Geeft de ontvangercode weer, noodzakelijk voor het klonen van de afstandsbedieningen.
uk	ON = Habilita la programación a distancia de las tarjetas mediante un transmisor W LINK previamente memorizado. Esta habilitación permanece activa 3 minutos desde presión del radiomando W LINK. OFF = Programación W LINK deshabilitada

- BELANGRIJKE OPMERKING: DE EERSTE IN HET GEHEUGEN OPGESLAGEN ZENDER MARKEREN MET HET SLEUTELTJE (MASTER).

Bij handmatige programmering wordt door de eerste zender de SLEUTELCODE VAN DE ONTVANGER toegewezen; deze code is noodzakelijk om de daaropvolgende klonering van de radiozenders te kunnen uitvoeren. De geïntegreerde ontvanger Clonix beschikt bovendien over enkele belangrijke geavanceerde functionaliteiten:

- Klonering van de master-zender (rolling-code of vaste code)
- Klonering voor vervanging van de reeds in de ontvanger opgenomen zenders
- Beheer database zenders
- Beheer groep ontvangers

Raadpleeg voor het gebruik van deze functionaliteiten de instructies van de universeel programmeerbare palmtop en de Programmeringshandleiding CLONIX, geleverd samen met het apparaat van de universeel programmeerbare palmtop.

20) MENU DEFAULT (DEFAULT)

Brengt de centrale terug naar de vooraf ingestelde default-waarden.

21) MENU TAAL (LANGUAGE)

Hiermee kan de taal van de programmabesturing op het display worden ingesteld.

22) MENU STATISTIEKEN

Hier wordt het volgende weergegeven:

- de versie van de kaart
- het totaal aantal manoeuvres dat door het automatiseringssysteem is uitgevoerd
- het aantal in het geheugen van de geïntegreerde ontvanger opgeslagen afstandsbedieningen

23) VERBINDING MET BEHEERSYSTEEM PARKY-PARKEERPLAATSEN

De kaart kan zodanig geconfigureerd worden dat er een uitgang ter beschikking kan worden gesteld om de status van de slagboom te controleren. Door de logica Alarm SCA (OFF) te deactiveren en de parameter Tijd Alarm op 0 sec. in te stellen, wordt het contact SCA (21-22) als volgt geconfigureerd (Fig. G):

- contact **dicht** tussen de klemmen **21-22** bij slagboom **omlaag**
- contact **open** tussen de klemmen **21-22** bij slagboom **omhoog**

23.1) SERIELLE VERBINDING MET KARTE SCS1 (Fig. AE)

Die Bedientafel **LIBRA-C-G/LIBRA-C-GS** gestattet über die entsprechenden seriellen Ein- und Ausgänge (SCS1) das zentralisierte Anschließen mehrerer Automatisierungen. Auf diese Weise ist es möglich, mit einer einzigen Steuerung die Öffnung oder die Schließung aller angeschlossenen Automatisierungen auszuführen.

Befolgen Sie beim Anschließen aller Steuerungskarten **LIBRA-C-G/LIBRA-C-GS** den Schaltplan von Fig. AE und verwenden Sie dabei ausschließlich Telefonschleifen.

Bei Verwendung eines Telefonkabels mit mehreren Leiterpaaren müssen unbedingt die Drähte des gleichen Paares verwendet werden.

Die Länge der Telefonschleife zwischen einem Gerät und dem nächsten

darf 250 m niet overschreiten.

An diesem Punkt müssen die einzelnen Bedientafeln **LIBRA-C-G/LIBRA-C-GS** in geeigneter Weise konfiguriert werden, und das heißt vor allem, dass eine Tafel als zentraler MASTER konfiguriert werden muss, der alle anderen, als SLAVE konfigurierten Karten kontrolliert (siehe Menü Logiken). Geben Sie außerdem die Bereichsnummer (siehe Menü Parameter) zwischen 0 und 127 ein.

Die Bereichsnummer gestattet es, Gruppen von Automatisierungen anzulegen, die jeweils dem Bereichs-Master entsprechen. **Jede Zone kann nur einen Master aufweisen; der Master der Zone 0 kontrolliert auch der Master und die Slaves der anderen Zonen. OPGELET: de als master ingestelde centrale moet de eerste van de serie zijn.**

23.2) Tegenovergestelde barrières (Fig. AF)

Door middel van seriële verbinding is het verder mogelijk de gecentraliseerde besturing te verwezenlijken van 2 tegenovergestelde barrières/hekken. In dit geval bestuurt het bedieningspaneel Master M1 gelijktijdig de sluiting en de opening van het bedieningspaneel Slave M2.

INSTELLINGEN NOODZAKELIJK VOOR DE WERKING:

- Kaart MASTER: $ZON E=128, P R S E E r=ON$

- Kaart SLAVE: $ZON E=128, P R S E E r=OFF$

BEKABELINGEN NOODZAKELIJK VOOR DE WERKING:

- De MASTER-centrale en de SLAVE-centrale zijn onderling verbonden met de 4 draden (RX/TX) behorende bij de interfacekaarten SCS1;
- alle activeringscommando's, alsook de afstandsbedieningen moeten naar de MASTER-kaart verwijzen;
- alle fotocellen (trusted en niet) moeten op de MASTER zijn aangesloten;
- de veiligheidsranden van de MASTER-vleugel moeten op de MASTER-centrale zijn aangesloten;
- de veiligheidsranden van de SLAVE-vleugel moeten op de SLAVE-centrale zijn aangesloten.

24) AFSTELLING AANSLAG

OPGELET: alvorens het klepje te openen, moet de veer ontspannen zijn (verticale boom). De slagboom beschikt over programmeerbare elektronische aanslagen en over een mechanische eindaanslag. Tussen elektrische aanslag en mechanisch arret moet een rotatiemarge behouden blijven (circa

1°), zowel bij sluiting als bij opening (Fig. J).

De instelling van de aanslagposities bij opening en bij sluiting vindt plaats door de parameters van het bedieningsbord Calibratie hoek Opening en Calibratie hoek Sluiting te wijzigen: door de waarde ervan te verhogen, worden de aanslagposities in openingsrichting verplaatst.

25) NOOD-DEBLOKKERING (Fig. Y)

OPGELET: Mocht het nodig zijn de deblokkering te activeren in een actuator zonder boom, controleren of de balanceringsveer niet is ingedrukt (boom in openingspositie).

26) STORING: OORZAKEN en OPLOSSINGEN.

26.1) De boom gaat niet open. De motor draait niet.

OPGELET: alvorens het deurtje te openen, moet de veer ontspannen zijn (verticale boom).

- 1) Controleren of de fotocellen niet vuil zijn, of bezet, of niet uitgelijnd.
- 2) De correcte aansluiting van de motor controleren.
- 3) Controleren of de elektronische apparatuur normaal van stroom wordt voorzien. De goede staat van de zekeringen controleren. In geval van storing van de zekering deze verwijderen (ter vervanging) zoals aangegeven.
- 4) Door middel van de zelfdiagnose van het schakelbord (zie Tabel "Toegang tot de menu's"), controleren of de functies correct zijn. Eventueel de oorzaak van het defect opsporen. Als de zelfdiagnose aangeeft dat een start-commando aanhoudt, controleren of er geen afstandsbedieningen, startknoppen of andere bedieningsinrichtingen zijn die het startcontact actief (dicht) houden.
- 5) Het schakelbord vervangen, als het niet functioneert.
- 6) De activering van de referentie-microschakelaars controleren door de meldingen die op het display van het bedieningsbord verschijnen, te controleren.
- 7) De spankabels van de veergeleider invetten in geval van geluiden of trillingen.

26.2) De boom gaat niet open. De motor draait, maar er vindt geen beweging plaats.

- 1) De handmatige deblokkering is geactiveerd gebleven. De gemotoriseerde werking herstellen.
- 2) Als de deblokkering in positie van gemotoriseerde werking is, de goede staat van de reductor controleren.

TABEL "A" - MENU PARAMETERS - (PAR-R)

PARAMETERS	min.	max.	Default	Definitie	Beschrijving
t_{cR}	0	180	10	Tijd Sluiting	Tijd automatische sluiting [s] Numeriek de waarde instellen van de automatische sluitingstijd .
$oP. t$	40	99	75	Koppel motoren opening	Koppel opening [%] Stelt de gevoeligheid aan de hindernis in tijdens de opening (1=max., 99=min.).
$cL S. t$	40	99	75	Koppel motoren sluiting	Koppel sluiting [%] Stelt de gevoeligheid aan de hindernis in tijdens de sluiting (1=max., 99=min.).
$oP. SPEED$	15	99	99	Snelheid in opening	Snelheid van regime in opening [%] Numeriek de snelheidswaarde instellen: 1% komt overeen met de minimumsnelheid, 99% met de maximumsnelheid.
$cL SPEED$	15	99	99	Snelheid in sluiting	Snelheid op regime in sluiting [%] Numeriek de snelheidswaarde instellen: 1% komt overeen met de minimumsnelheid, 99% met de maximumsnelheid.
$ALARM t_{iNE}$	0	240	30	Tijd alarm	Tijd alarm [s] Bij waarneming van een obstakel of bezette fotocellen voor een tijd hoger dan de ingestelde tijd (variabel van 10 sec. tot 240 sec.), gaat het SCA-contact dicht. Het contact wordt vervolgens geopend door het Stop-commando of door de activering van de sluitingsaanslag. Alleen actief door de logica Alarm SCA op OFF in te stellen. Indien ingesteld op 0 sec., wordt het SCA-contact verbinding met het Parky-systeem (zie Paragraaf Verbinding met beheersysteem parky-parkeerplaatsen).
$brAKE$	1	10	2	Afremming	Afremming [%] De afremming die tijdens de vertragingfase moet worden toegepast, instellen.
$ZON E$	0	128	0	Zone	Zona [] Het zonenummer instellen tussen een minimumwaarde 0 en een maximumwaarde 128.
$oPE n cAL ib. (Speciale par. 1)^*$	0	100	80	Kalibratie openingshoek	Kalibratie openingshoek [%] De referentiehoek instellen van 0,0 tot 100,0, voor de gewenste openingspositie (zie Paragraaf Afstelling Aanslag).
$cL oS. cAL ib. (Speciale par. 2)^*$	0	100	25	Kalibratie sluitingshoek	Kalibratie sluitingshoek [%] De referentiehoek instellen van 0,0 tot 100,0, voor de gewenste sluitingspositie (zie Paragraaf Afstelling Aanslag).
$RccEL. (Speciale par. 6)^*$	1	10	3	Versnelling	Versnelling [%] De versnelling die op het begin van iedere beweging moet worden toegepast, instellen van 1% tot 99%.
$d iSt. Slouid (Speciale par. 18)^*$	0	99	70	Ruimte afremming	Ruimte afremming [%] Stelt de ruimte van benadering naar de eindaanslag in. Deze ruimte wordt uitgevoerd aan lage snelheid.

*Universele programmeerbare palmtop.

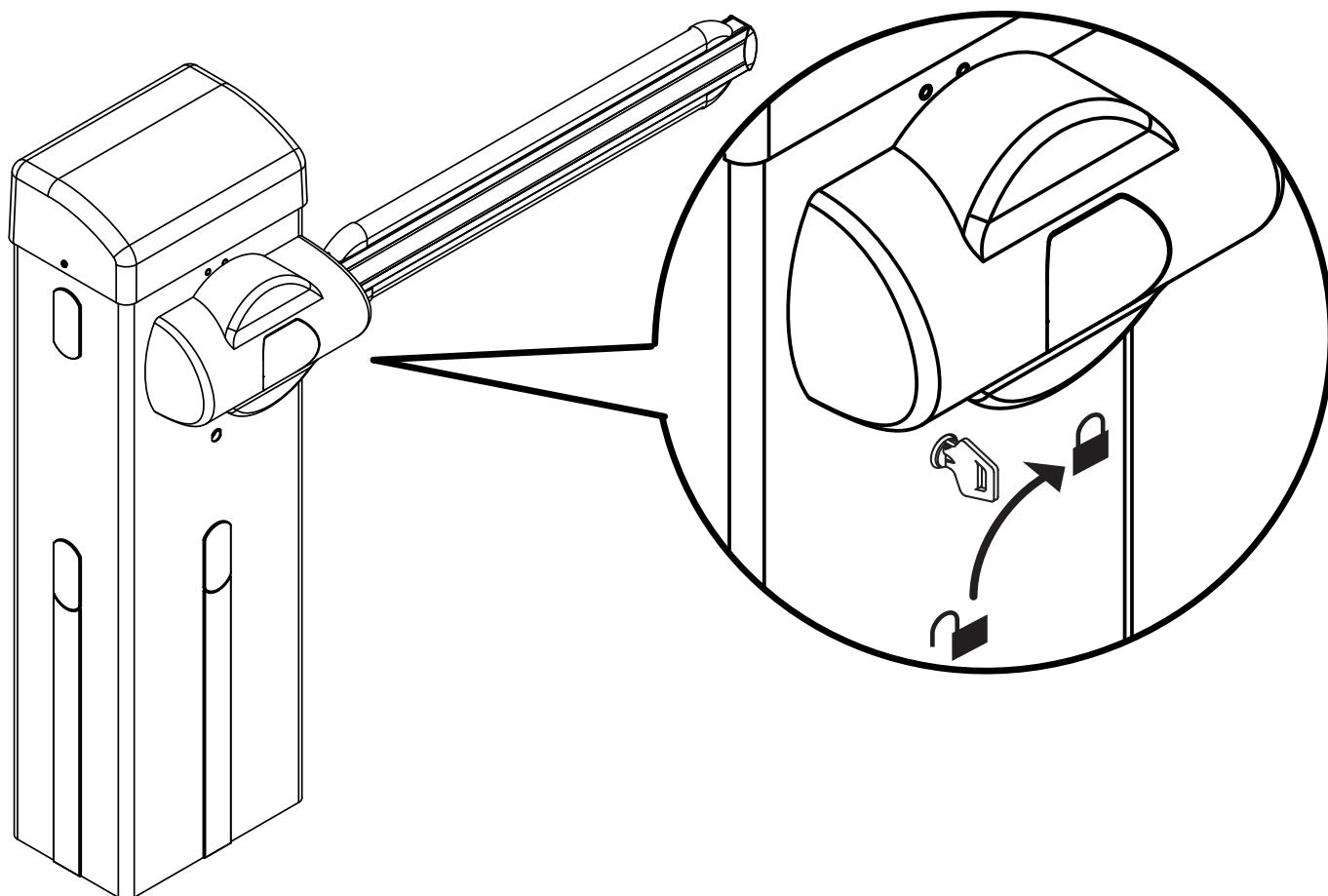
TABEL "B" - MENU LOGIC - (L o G I C)

Logic	default	Definitie	Uitgevoerde instelling aanvinken	Beschrijving																					
t c R	ON	Tijd Automatische Sluiting	ON	Activeert de automatische sluiting																					
			OFF	Sluit de automatische sluiting uit.																					
i b L o P E n	ON	BlokkeerImpulsen opening	ON	De startimpuls heeft geen enkel effect tijdens de openingsfase.																					
			OFF	De startimpuls heeft effect tijdens de openingsfase.																					
i b L t c R	OFF	Blokkeer Impulsen TCA	ON	De startimpuls heeft geen effect tijdens de TCA-pauze.																					
			OFF	De startimpuls heeft effect tijdens de TCA-pauze.																					
2 S t E P	OFF	2-staps logica	ON	Activeert de 2-staps logica (heeft voorrang op "3-staps logica").																					
			OFF	Deactiveert de 2-staps logica door het activeren van de 4-staps logica als "3-staps logica" op OFF staat.																					
3 S t E P	ON	3-staps logica	ON	Activeert de 3-staps logica (als "2-staps logica" op OFF staat).																					
			OFF	Deactiveert de 3-staps logica door het activeren van de 4-staps logica als "2-staps logica" op OFF staat.																					
<i>Antwoord op de START-impuls</i>																									
<table border="1" style="width: 100%; border-collapse: collapse;"> <thead> <tr> <th>Slagboom</th> <th>2 staps</th> <th>3 staps</th> <th>4 staps</th> </tr> </thead> <tbody> <tr> <td>dicht</td> <td rowspan="2">open</td> <td rowspan="2">open</td> <td>open</td> </tr> <tr> <td>dichtgaat</td> <td>stop</td> </tr> <tr> <td>open</td> <td rowspan="2">dicht</td> <td rowspan="2">dicht</td> <td>dicht</td> </tr> <tr> <td>opengaat</td> <td>stop + TCA</td> <td>stop + TCA</td> </tr> <tr> <td>dopo stop</td> <td>open</td> <td>open</td> <td>open</td> </tr> </tbody> </table>					Slagboom	2 staps	3 staps	4 staps	dicht	open	open	open	dichtgaat	stop	open	dicht	dicht	dicht	opengaat	stop + TCA	stop + TCA	dopo stop	open	open	open
Slagboom	2 staps	3 staps	4 staps																						
dicht	open	open	open																						
dichtgaat			stop																						
open	dicht	dicht	dicht																						
opengaat			stop + TCA	stop + TCA																					
dopo stop	open	open	open																						
P r E - A L A r n	OFF	Vooralarm	ON	Het zwaailicht gaat 3 seconden voor het opstarten van de motor aan.																					
			OFF	Het zwaailicht gaat tegelijkertijd met het opstarten van de motoren aan																					
h o L d - t o - r u n	OFF	Persoon Aanwezig	ON	Werking met aanwezige persoon: de manoeuvre gaat verder zolang de bedieningstoetsen OPEN en CLOSE ingedrukt blijven. Het is niet mogelijk de afstandsbediening te gebruiken.																					
			OFF	Normale impulswerking.																					
P h o t o . o P E n	ON	Fotocellen bij opening	ON	In geval van verduistering, wordt hiermee de werking van de fotocel bij opening uitgesloten. In sluitingsfase, onmiddellijke omkering.																					
			OFF	In geval van verduistering zijn de fotocellen zowel bij opening als bij sluiting actief. Een verduistering van de fotocel bij sluiting keert de beweging alleen om na de vrijmaking van de fotocel.																					
F R S t c L S	OFF	Snelle sluiting	ON	Hiermee wordt de slagboom gesloten na de vrijmaking van de fotocellen, alvorens op het einde van de ingestelde TCA te wachten.																					
			OFF	Commando niet ingevoerd																					
t E S t P h o t	OFF	Test fotocellen	ON	Hiermee wordt de controle van de fotocellen geactiveerd																					
			OFF	Hiermee wordt de controle van de fotocellen gedeactiveerd																					
M A S T E r	OFF	Master/Slave	ON	Het bedieningspaneel wordt ingesteld als Master in een gecentraliseerde aansluiting.																					
			OFF	Het bedieningspaneel wordt ingesteld als Slave in een gecentraliseerde aansluiting.																					
F i x e d c o d e	OFF	Vaste Code	ON	De ontvanger is geconfigureerd voor de werking in modus met vaste code.																					
			OFF	De ontvanger is geconfigureerd voor de werking in modus met rolling-code.																					
r a d i o P r o G	ON	Programmering afstandsbedieningen	ON	Hiermee wordt de geheugenopslag via radio van de zenders geactiveerd: 1- Na elkaar drukken op de verborgen toets (P1) en de normale toets (T1-T2-T3-T4) van een zender die reeds in het geheugen is opgeslagen in standaardmodus via het menu radio. 2- Binnen 10 sec. drukken op de verborgen toets (P1) en de normale toets (T1-T2-T3-T4) van een zender die in het geheugen moet worden opgeslagen. De ontvanger verlaat de programmeringsmodus na 10 sec.; binnen deze tijd is het mogelijk andere nieuwe zenders toe te voegen. Voor deze modus is geen toegang tot het bedieningspaneel vereist. BELANGRIJK: Voor de deactivering van de automatische invoer van nieuwe afstandsbedieningen, cloni en replay.																					
			OFF	Hiermee wordt de geheugenopslag via radio van de zenders gedeactiveerd. De zenders worden alleen in het geheugen opgeslagen met behulp van het daarvoor bestemde menu Radio. BELANGRIJK: Voor de deactivering van de automatische invoer van nieuwe afstandsbedieningen, cloni en replay.																					
A L A r n S c R	ON	Alarm SCA	ON	Het SCA-contact (klemmen 21-22) gedraagt zich als volgt: - bij open slagboom en bij opening: contact dicht (verklikkerlichtsignaal aan) - bij gesloten slagboom: contact open (verklikkerlichtsignaal uit) - bij sluiting: intermitterend contact (knipperen)																					
			OFF	Het SCA-contact gaat dicht volgens de wijzen voorzien door de parameter Tijd alarm.																					
c h a n G E R i c h t	OFF	Omkering van Richting	ON	Voor slagboom met montage rechts (zie Par. Montage Rechts)																					
			OFF	Voor slagboom met montage links.																					
o P E n - t i M E r (Speciale dip 2)*	OFF	Timer op open	ON	De ingang tussen de twee klemmen 15-27 functioneert als TIMER																					
			OFF	De ingang tussen de twee klemmen 15-27 functioneert als OPEN																					

*Universele programmeerbare palmtop.



Fig. Y



MANUALE - MANUAL - MANUEL

BEDIENUNGSANLEITUNG - MANUAL - HANDMATIG



AUTOMATICO - AUTOMATIC - AUTOMATIQUE

AUTOMATIK - AUTOMÁTICO - AUTOMATISCH

AVVERTENZE PER L'UTILIZZATORE (I)

ATTENZIONE! Importanti istruzioni di sicurezza. Leggere e seguire attentamente le Avvertenze e le Istruzioni che accompagnano il prodotto poiché un uso improprio può causare danni a persone, animali o cose. Conservare le istruzioni per consultazioni future e trasmetterle ad eventuali subentranti nell'uso dell'impianto.

Questo prodotto dovrà essere destinato solo all'uso per il quale è stato espressamente installato. Ogni altro uso è da considerarsi improprio e quindi pericoloso. Il costruttore non può essere considerato responsabile per eventuali danni causati da usi impropri, erronei e irragionevoli.

SICUREZZA GENERALE

Nel ringraziarVi per la preferenza accordata a questo prodotto, la Ditta è certa che da esso otterrete le prestazioni necessarie al Vostro uso.

Questo prodotto risponde alle norme riconosciute della tecnica e della disposizioni relative alla sicurezza se correttamente installato da personale qualificato ed esperto (installatore professionale). L'automazione, se installata ed utilizzata correttamente, soddisfa gli standard di sicurezza nell'uso. Tuttavia è opportuno osservare alcune regole di comportamento per evitare inconvenienti accidentali:

- Tenere bambini, persone e cose fuori dal raggio d'azione dell'automazione, in particolare durante il movimento.
- Non permettere a bambini di giocare o sostare nel raggio di azione dell'automazione.
- Questa automazione non è destinata all'uso da parte di bambini o da parte di persone con ridotte capacità mentali, fisiche e sensoriali, o persone che mancano di conoscenze adeguate a meno che esse non abbiano potuto beneficiare, attraverso l'intermediazione di una persona responsabile della loro sicurezza, di una sorveglianza o di istruzioni riguardanti l'uso dell'apparecchio.
- I bambini devono essere sorvegliati per sincerarsi che non giochino con l'apparecchio. Non permettere ai bambini di giocare con i controlli fissi. Tenere i telecomandi lontani dai bambini.
- Evitare di operare in prossimità delle cerniere o organi meccanici in movimento.
- Non contrastare il movimento dell'anta e non tentare di aprire manualmente la porta se non è stato sbloccato l'attuatore con l'apposita manopola di sblocco.
- Non entrare nel raggio di azione della porta o cancello motorizzati durante il loro movimento.
- Non lasciare radiocomandi o altri dispositivi di comando alla portata dei bambini onde evitare azionamenti involontari.
- L'attivazione dello sblocco manuale potrebbe causare movimenti incontrollati della porta se in presenza di guasti meccanici o di condizioni di squilibrio.
- In caso di apritapparelle: sorvegliare la tapparella in movimento e tenere lontano le persone finché non è completamente chiusa. Porre cura quando si aziona lo sblocco se presente, poiché una tapparella aperta potrebbe cadere rapidamente in presenza di usura o rotture.
- La rottura o l'usura di organi meccanici della porta (parte guidata), quali ad esempio cavi, molle, supporti, cardini, guide... potrebbe generare pericoli. Far controllare periodicamente l'impianto da personale qualificato ed esperto (installatore professionale) secondo quanto indicato dall'installatore o dal costruttore della porta.
- Per ogni operazione di pulizia esterna, togliere l'alimentazione di rete.
- Tenere pulite le ottiche delle fotocellule ed i dispositivi di segnalazione luminosa. Controllare che rami ed arbusti non disturbino i dispositivi di sicurezza.
- Non utilizzare l'automatismo se necessita di interventi di riparazione. In caso di guasto o di malfunzionamento dell'automazione, togliere l'alimentazione di rete sull'automazione, astenersi da qualsiasi tentativo di riparazione o intervento diretto e rivolgersi solo a personale qualificato ed esperto (installatore professionale) per la necessaria riparazione o manutenzione. Per consentire l'accesso, attivare lo sblocco di emergenza (se presente).
- Per qualsiasi intervento diretto sull'automazione o sull'impianto non previsto dal presente manuale, avvalersi di personale qualificato ed esperto (installatore professionale).
- Con frequenza almeno annuale far verificare l'integrità e il corretto funzionamento dell'automazione da personale qualificato ed esperto (installatore professionale), in particolare di tutti i dispositivi di sicurezza.
- Gli interventi d'installazione, manutenzione e riparazione devono essere documentati e la relativa documentazione tenuta a disposizione dell'utilizzatore.
- Il mancato rispetto di quanto sopra può creare situazioni di pericolo.

Tutto quello che non è espressamente previsto nel manuale d'uso, non è permesso. Il buon funzionamento dell'operatore è garantito solo se vengono rispettate le prescrizioni riportate in questo manuale. La Ditta non risponde dei danni causati dall'inosservanza delle indicazioni riportate in questo manuale.

Lasciando inalterate le caratteristiche essenziali del prodotto, la Ditta si riserva di apportare in qualunque momento le modifiche che essa ritiene convenienti per migliorare tecnicamente, costruttivamente e commercialmente il prodotto, senza impegnarsi ad aggiornare la presente pubblicazione.

USER WARNINGS (GB)

WARNING! Important safety instructions. Carefully read and comply with the Warnings and Instructions that come with the product as improper use can cause injury to people and animals and damage to property. Keep the instructions for future reference and hand them on to any new users.

This product is meant to be used only for the purpose for which it was explicitly installed. Any other use constitutes improper use and, consequently, is hazardous. The manufacturer cannot be held liable for any damage as a result of improper, incorrect or unreasonable use.

GENERAL SAFETY

Thank you for choosing this product. The Firm is confident that its performance will meet your operating needs.

This product meets recognized technical standards and complies with safety provisions when installed correctly by qualified, expert personnel (professional installer).

If installed and used correctly, the automated system will meet operating safety standards. Nonetheless, it is advisable to observe certain rules of behaviour so that accidental problems can be avoided:

- Keep adults, children and property out of range of the automated system, especially while it is moving.
- Do not allow children to play or stand within range of the automated system.
- This automated system is not meant for use by children or by people with impaired mental, physical or sensory capacities, or people who do not have suitable knowledge, unless a person who is responsible for their safety provides them with necessary supervision or instructions on how to use the device.
- Children must be supervised to ensure they do not play with the device. Do not allow children to play with the fixed controls. Keep remote controls out of reach of children.
- Do not work near hinges or moving mechanical parts.
- Do not hinder the leaf's movement and do not attempt to open the door manually unless the actuator has been released with the relevant release knob.
- Keep out of range of the motorized door or gate while they are moving.
- Keep remote controls or other control devices out of reach of children in order to avoid the automated system being operated inadvertently.
- The manual release's activation could result in uncontrolled door movements if there are mechanical faults or loss of balance.
- When using roller shutter openers: keep an eye on the roller shutter while it is moving and keep people away until it has closed completely. Exercise care when activating the release, if such a device is fitted, as an open shutter could drop quickly in the event of wear or breakage.
- The breakage or wear of any mechanical parts of the door (operated part), such as cables, springs, supports, hinges, guides... may generate a hazard. Have the system checked by qualified, expert personnel (professional installer) at regular intervals according to the instructions issued by the installer or manufacturer of the door.

- When cleaning the outside, always cut off mains power.

- Keep the photocells' optics and illuminating indicator devices clean. Check that no branches or shrubs interfere with the safety devices.
- Do not use the automated system if it is in need of repair. In the event the automated system breaks down or malfunctions, cut off mains power to the system; do not attempt to repair or perform any other work to rectify the fault yourself and instead call in qualified, expert personnel (professional installer) to perform the necessary repairs or maintenance. To allow access, activate the emergency release (where fitted).
- If any part of the automated system requires direct work of any kind that is not contemplated herein, employ the services of qualified, expert personnel (professional installer).
- At least once a year, have the automated system, and especially all safety devices, checked by qualified, expert personnel (professional installer) to make sure that it is undamaged and working properly.
- A record must be made of any installation, maintenance and repair work and the relevant documentation kept and made available to the user on request.
- Failure to comply with the above may result in hazardous situations.

Anything that is not explicitly provided for in the user guide is not allowed. The operator's proper operation can only be guaranteed if the instructions given herein are complied with. The Firm shall not be answerable for damage caused by failure to comply with the instructions featured herein.

While we will not alter the product's essential features, the Firm reserves the right, at any time, to make those changes deemed opportune to improve the product from a technical, design or commercial point of view, and will not be required to update this publication accordingly.

AVERTISSEMENTS POUR L'UTILISATEUR (F)

ATTENTION ! Instructions de sécurité importantes. Veuillez lire et suivre attentivement tous les avertissements et toutes les instructions fournis avec le produit sachant qu'un usage incorrect peut provoquer des préjudices aux personnes, aux animaux ou aux biens. Veuillez conserver les instructions pour d'ultérieures consultations et pour les transmettre aux propriétaires futurs éventuels.

Cet appareil ne peut être destiné qu'à l'usage pour lequel il a été expressément installé. Tout autre usage sera considéré comme impropre et donc dangereux. Le fabricant ne sera en aucun cas considéré comme responsable des préjudices dus à un usage impropre, erroné ou déraisonné.

SECURITE GÉNÉRALE

Nous vous remercions d'avoir choisi ce produit qui, nous n'en doutons pas, saura vous garantir les performances attendues.

Ce produit, correctement installé par du personnel qualifié et expérimenté (monteur professionnel) est conforme aux normes reconnues de la technique et des prescriptions de sécurité. Si l'automatisation est montée et utilisée correctement, elle garantit la sécurité d'utilisation prescrite. Il est cependant nécessaire de respecter certaines règles de comportement pour éviter tout incon vénient accidentel.

- Tenir les enfants, les personnes et les objets à l'écart du rayon d'action de l'automatisation, en particulier pendant son fonctionnement.
- Empêcher les enfants de jouer ou de stationner dans le rayon d'action de l'automatisation.
- Cette automatisation n'est pas destinée à être utilisée par des enfants, des personnes ayant des capacités mentales, physiques et sensorielles réduites ou des personnes ne disposant pas des connaissances nécessaires à moins de disposer, par l'entremise d'une personne responsable de leur sécurité, d'une surveillance ou d'instructions sur l'usage de l'appareil.
- Les enfants doivent être surveillés afin de s'assurer qu'ils ne jouent pas avec l'appareil. Interdire aux enfants de jouer avec les contrôles fixes. Ranger les télécommandes hors de portée des enfants.
- Éviter d'opérer à proximité des charnières ou des organes mécaniques en mouvement.
- Ne pas s'opposer volontairement au mouvement du vantail et ne pas tenter d'ouvrir la porte à la main si le déclencheur n'est pas déverrouillé avec le levier de déverrouillage prévu à cet effet.
- Ne pas entrer dans le rayon d'action du portail/de la porte motorisé/e pendant son mouvement.
- Ranger les radiocommandes ou les autres dispositifs de commande hors de portée des enfants afin d'éviter tout actionnement involontaire.
- L'activation du déverrouillage manuel risque de provoquer des mouvements incontrôlés de la porte en présence de pannes mécaniques ou de conditions de déséquilibre.
- Avec les ouvre-stores: surveiller le store en mouvement et veiller à ce que les personnes restent à l'écart tant qu'il n'est pas complètement fermé. Actionner l'éventuel déverrouillage avec prudence car si un store reste ouvert il peut tomber brutalement s'il est usé ou cassé.
- La rupture ou l'usage des organes mécaniques de la porte (partie guidée), tels que les câbles, les ressorts, les supports et les gonds peuvent générer des risques. Faire contrôler périodiquement l'installation par du personnel qualifié et expérimenté (monteur professionnel), conformément aux indications du monteur ou du fabricant de la porte.
- Mettre hors tension avant d'accomplir les opérations de nettoyage extérieur.
- Veiller à la propreté des lentilles des photocellules et des lampes de signalisation. Veiller à ce que les dispositifs de sécurité ne soient pas gênés par des branches ou des arbustes.
- Ne pas utiliser l'automatisation si elle a besoin d'être réparée. En cas de panne ou de mauvais fonctionnement de l'automatisation, mettre l'automatisation hors tension, éviter toute tentative de réparation ou d'intervention directe et s'adresser uniquement à du personnel qualifié et expérimenté (monteur professionnel) pour la réparation ou les opérations d'entretien nécessaires. Pour permettre l'accès, activer le déverrouillage d'urgence (s'il y en a un).
- Pour toutes les interventions directes sur l'automatisation ou sur l'installation non prévues dans le présent manuel, s'adresser uniquement à du personnel qualifié et expérimenté (monteur professionnel).
- Une fois par an au moins, faire vérifier le bon état et le bon fonctionnement de l'automatisation par du personnel qualifié et expérimenté (monteur professionnel) et en particulier tous les dispositifs de sécurité.
- Les interventions de montage, d'entretien et de réparation doivent être documentées et cette documentation doit être tenue à la disposition de l'utilisateur.
- Le non respect des prescriptions ci-dessus peut être à l'origine de dangers.

Tout ce qui n'est pas expressément prévu dans le manuel de montage est interdit. Le bon fonctionnement de l'appareil n'est garanti que si les données indiquées sont respectées. Le Fabricant ne répond pas des dommages provoqués par l'inobservation des indications données dans ce manuel.

En laissant inaltérées les caractéristiques essentielles de l'appareil, l'entreprise se réserve le droit d'apporter à tout moment les modifications qu'elle jugera opportunes pour améliorer le produit du point de vue technique, commercial et de sa construction, sans s'engager à mettre à jour la présente publication.

HINWEISE FÜR DEN BENUTZER (D)

ACHTUNG! Wichtige Hinweise zur Sicherheit. Bitte lesen und befolgen Sie aufmerksam die Hinweise sowie die Bedienungsanleitung, die das Produkt begleiten, denn eine falsche Benutzung des Produkts kann zu Verletzungen von Menschen und Tieren sowie zu Sachschäden führen. Bitte bewahren Sie die Anweisungen für die zukünftige Konsultation sowie für eventuelle zukünftige Benutzer der Anlage auf.

Dieses Produkt ist ausschließlich für den Einsatz bestimmt, für den es ausdrücklich installiert worden ist. Alle sonstigen Einsatzweisen gelten als Zweckentfremdung und somit als gefährlich. Der Hersteller kann nicht für eventuelle Schäden haftbar gemacht werden, die auf Zweckentfremdung oder unsachgemäße Verwendung zurückzuführen sind.

ALLGEMEINE SICHERHEIT

Wir danken Ihnen dafür, dass Sie diesem Produkt den Vorzug gegeben haben, und sind sicher,



dass Sie mit ihm die für Ihre Anwendung erforderlichen Leistungen erzielen werden.

Dieses Produkt entspricht den anerkannten Normen der Technik sowie den Sicherheitsbestimmungen, falls es von qualifiziertem Fachpersonal (professioneller Installateur) ordnungsgemäß installiert wird.

Bei ordnungsgemäßer Installation und Benutzung erfüllt die Automatisierung die geforderten Sicherheitsstandards. Dennoch sollten einige Verhaltensregeln beachtet werden, um Zwischenfälle zu vermeiden:

- Halten Sie Kinder, Personen und Sachen aus dem Wirkungsbereich der Automatisierung fern, vor allem während der Bewegung.
- Verhindern Sie, dass sich Kindern im Aktionsradius der Automatisierung aufhalten oder dort spielen.
- Diese Automatisierung ist nicht für die Benutzung durch Kinder, Personen mit eingeschränkten geistigen, körperlichen oder sensorischen Fähigkeiten oder Personen ohne angemessene Kenntnisse vorgesehen, es sei denn, sie werden durch ihren Sicherheitsbeauftragten überwacht oder in die Benutzung der Vorrichtung eingewiesen.
- Kinder müssen überwacht werden, um sicherzustellen, dass sie nicht mit der Vorrichtung spielen. Stellen Sie sicher, dass die Kinder nicht mit dem festen Bedienelement spielen. Halten Sie die Fernbedienungen von Kindern fern.
- Vermeiden Sie Arbeiten in der Nähe der Scharniere oder der beweglichen Bauteile.
- Halten Sie die Bewegung der Tür nicht auf und versuchen Sie nicht, die Tür von Hand zu öffnen, wenn der Trieb nicht mit dem entsprechenden Entsperrhebel entsperrt worden ist.
- Halten Sie sich während der Bewegung aus dem Aktionsradius der Tür oder des motorisierten Tors fern.
- Halten Sie die Fernbedienung oder sonstige Steuerungsvorrichtungen von Kindern fern, um unbeabsichtigte Betätigungen der Automatisierung zu vermeiden.
- Die Aktivierung der manuellen Entsperrung könnte bei mechanischen Defekten oder Ungleichgewichtssituationen zu unkontrollierten Bewegungen der Tür führen.
- Bei Rolladentautomatisierungen: Überwachen Sie den Rollladen während der Bewegung und halten Sie Personen fern, bis er vollständig geschlossen ist. Gehen Sie bei der Betätigung der eventuellen Entsperrung mit Vorsicht vor, da der offene Rollladen bei Brüchen oder Abnutzung herunterfallen könnte.
- Das Brechen oder die Abnutzung der mechanischen Organe der Tür (geführter Teil) wie zum Beispiel Kabel, Federn, Aufhängungen, Führungen usw. könnte zu Gefahren führen. Lassen Sie die Anlage in regelmäßigen Abständen von qualifiziertem Fachpersonal (professioneller Installateur) unter Beachtung der Angaben des Installateurs oder des Herstellers der Tür überprüfen.
- Unterbrechen Sie vor allen externen Reinigungsarbeiten die Stromversorgung.
- Halten Sie die Linsen der Fotozellen und die Anzeigevorrichtungen sauber. Stellen Sie sicher, dass die Sicherheitsvorrichtungen nicht durch Zweige oder Sträucher beeinträchtigt werden.
- Benutzen Sie die Automatisierung nicht, falls sie Reparatureingriffe erforderlich macht. Unterbrechen Sie bei Beschädigungen oder Funktionsstörungen die Stromversorgung der Automatisierung, unternehmen Sie keine Reparaturversuche oder direkte Eingriffe und wenden Sie sich für die erforderliche Reparatur oder Wartung an qualifiziertes Fachpersonal (professioneller Installateur). Aktivieren Sie für den Zugang die Notfallentsperrung (falls vorhanden).
- Wenden Sie sich für alle im vorliegenden Handbuch nicht vorgesehenen direkten Eingriffe an der Automatisierung oder der Anlage an qualifiziertes Fachpersonal (professioneller Installateur).
- Lassen Sie die Unversehrtheit und den ordnungsgemäßen Betrieb der Automatisierung sowie insbesondere der Sicherheitsvorrichtungen zumindest einmal jährlich von qualifiziertem Fachpersonal (professioneller Installateur) überprüfen.
- Die Installations-, Wartungs- und Reparatureingriffe müssen dokumentiert werden und die Dokumentation muss dem Benutzer zur Verfügung gehalten werden.
- Die Nichtbeachtung dieser Anweisung kann zu Gefahrensituationen führen.

Alles, was im Installationshandbuch nicht ausdrücklich vorgesehen ist, ist untersagt. Der ordnungsgemäße Betrieb des Triebwerks kann nur garantiert werden, wenn alle angegebenen Daten eingehalten werden. Die Firma haftet nicht für Schäden, die auf die Nichtbeachtung der Hinweise im vorliegenden Handbuch zurückzuführen sind.

Unter Beibehaltung der wesentlichen Eigenschaften des Produktes kann die Firma jederzeit und ohne Verpflichtung zur Aktualisierung des vorliegenden Handbuchs Änderungen zur technischen, konstruktiven oder handelstechnischen Verbesserung vornehmen.

ADVERTENCIAS PARA EL USUARIO (E)

¡ATENCIÓN! Instrucciones de seguridad importantes. Leer y seguir con atención las Advertencias y las Instrucciones que acompañan al producto, ya que el uso inapropiado puede causar daños a personas, animales o cosas. Guardar las instrucciones para futuras consultas y transmitir las eventuales reemplazantes en el uso de la instalación. Este producto se deberá utilizar únicamente para el uso para el cual ha sido expresamente instalado. Cualquier otro uso se considerará inadecuado y por lo tanto peligroso. El fabricante no se responsabiliza por posibles daños causados debido a usos inapropiados, erróneos e irrazonables.

SEGURIDAD GENERAL

Le agradecemos por haber elegido este producto, en la Empresa estamos seguros que obtendrán las prestaciones necesarias para su uso.

Este producto responde a las normas reconocidas de la técnica y de las disposiciones inherentes a la seguridad siempre que haya sido correctamente instalado por personal cualificado y experto (instalador profesional).

La automatización, si se instala y utiliza de manera correcta, cumple con los estándares de seguridad para el uso. Sin embargo es conveniente respetar algunas reglas de comportamiento para evitar inconvenientes accidentales:

- Mantener a niños, personas y cosas fuera del radio de acción de la automatización, especialmente durante su movimiento.
- No permitir que los niños jueguen o permanezcan en el radio de acción de la automatización.
- Esta automatización no está destinada para ser utilizada por niños o por personas con capacidades mentales, físicas y sensoriales reducidas, o personas que no cuenten con conocimientos adecuados, salvo que sean supervisadas o hayan recibido instrucciones de uso del equipo por parte de una persona responsable de su seguridad.
- Los niños deben ser vigilados para cerciorarse que no jueguen con el equipo. No permitir que los niños jueguen con los controles fijos. Mantener los mandos a distancia alejados de los niños.
- Evitar operar cerca de las bisagras o de los órganos mecánicos en movimiento.
- No obstaculizar el movimiento de la hoja y no intentar abrir manualmente la puerta si no se ha desbloqueado el accionador con el botón de desbloqueo específico.
- No ingresar al radio de acción de la puerta o cancela motorizadas durante el movimiento de las mismas.
- No dejar radiomandos u otros dispositivos de mando al alcance de niños, para evitar accionamientos involuntarios.
- La activación del desbloqueo manual podría causar movimientos incontrolados de la puerta en caso de averías mecánicas o condiciones de desequilibrio.
- En caso de automatizaciones para persianas enrollables: vigilar la persiana en movimiento y mantener alejadas a las personas hasta que esté completamente cerrada. Tener precaución cuando se acciona el desbloqueo, si estuviera presente, puesto que una persiana enrollable abierta podría caer rápidamente en caso de desgaste o roturas.
- La rotura o el desgaste de órganos mecánicos de la puerta (parte guiada), como por ejemplo cables, muelles, soportes, goznes, guías, etc. podría generar peligros. Hacer controlar periódicamente la instalación por personal cualificado y experto (instalador profesional), según lo indicado por el instalador o por el fabricante de la puerta.
- Para cualquier operación de limpieza exterior, interrumpir la alimentación de red.
- Mantener limpias las ópticas de las fotocélulas y los dispositivos de señalización luminosa. Controlar que ramas y arbustos no obstaculicen los dispositivos de seguridad.
- No utilizar la automatización si necesita intervenciones de reparación. En caso de avería o defecto de funcionamiento de la automatización, interrumpir la alimentación de red en la automatización, abstenerse de cualquier intento de reparación o intervención directa y recurrir sólo a personal cualificado y experto (instalador profesional) para la necesaria reparación

y mantenimiento. Para permitir el acceso, activar el desbloqueo de emergencia (si estuviera presente).

- Para cualquier intervención directa en la automatización o en la instalación no prevista por el presente manual, recurrir a personal cualificado y experto (instalador profesional).

- Al menos una vez al año hacer controlar la integridad y el correcto funcionamiento de la automatización por personal cualificado y experto (instalador profesional), en particular de todos los dispositivos de seguridad.

- Las intervenciones de instalación, mantenimiento y reparación deben ser registradas y la documentación correspondiente se debe mantener a disposición del usuario.

- El incumplimiento de lo antes indicado puede provocar situaciones de peligro.

Todo aquello que no expresamente previsto en el manual de uso, no está permitido. El buen funcionamiento del operador es garantizado sólo si se respetan las prescripciones indicadas en el presente manual. La Empresa no se responsabiliza por los daños causados por el incumplimiento de las indicaciones dadas en el presente manual.

Dejando inalteradas las características esenciales del producto, la Empresa se reserva el derecho de realizar, en cualquier momento, modificaciones que considere convenientes para mejorar la técnica, la fabricación y la comercialización del producto, sin comprometerse a actualizar la presente publicación.

WAARSCHUWINGEN VOOR DE GEBRUIKER(NL)

LET OP! Belangrijke veiligheidsinstructies. De Waarschuwingen en de Instructies die met het product meegeleverd worden zorgvuldig lezen en volgen, aangezien verkeerd gebruik schade aan personen, dieren of voorwerpen kan veroorzaken. De instructies bewaren voor toekomstige raadpleging en doorgeven aan eventuele personen die het gebruik van de installatie overnemen.

Dit product is uitsluitend bestemd voor het gebruik waarvoor het uitdrukkelijk geïnstalleerd is. Ieder ander gebruik dient als oneigenlijk en dus gevaarlijk beschouwd te worden. De fabrikant mag niet verantwoordelijk worden gehouden voor eventuele schade veroorzaakt door oneigenlijk, verkeerd of onredelijk gebruik.

ALGEMENE VEILIGHEID

Wij danken u ervoor dat u de voorkeur hebt gegeven aan dit product. Wij als bedrijf zijn er zeker van dat dit product de voor uw gebruik noodzakelijke prestaties kan leveren.

Dit product voldoet aan de erkende normen van de techniek en van de bepalingen betreffende de veiligheid, indien correct geïnstalleerd door gekwalificeerd en ervaren personeel (professioneel installateur).

Het automatiseringssysteem, indien juist geïnstalleerd en gebruikt, voldoet aan de vereiste veiligheidsgraad bij het gebruik. Het is niettemin nuttig enkele gedragsregels in acht te nemen om onopzettelijke ongemakken te vermijden:

- Kinderen, personen en voorwerpen buiten de actieradius van het automatiseringssysteem houden, met name tijdens de beweging.
- Niet aan kinderen toestaan om in de actieradius van het automatiseringssysteem te spelen of zich daarbinnen te bevinden.
- Deze automatisering is niet bestemd voor gebruik vanwege kinderen of personen met beperkte mentale, lichamelijke en sensorische capaciteiten, of vanwege personen die het toestel niet voldoende kennen, tenzij ze beroep kunnen doen op de hulp van een persoon die verantwoordelijk is voor hun veiligheid en die toezicht houdt of de nodige instructies verschaft m.b.t. het gebruik van het toestel.
- De kinderen moeten in het oog worden gehouden zodanig dat ze zeker niet met het toestel gaan spelen. De kinderen niet laten spelen met de vaste controles. De afstandsbedieningen uit de buurt van de kinderen houden.
- Vermijden om te werken in de buurt van de scharnieren of bewegende mechanische onderdelen.
- De beweging van de vleugel niet tegengaan en niet proberen de deur handmatig te openen, als de actuator niet gedeblokkeerd is met de speciale deblokkeringsknop.
- Niet de actieradius van de gemotoriseerde deur of hek betreden tijdens de beweging daarvan.
- Afstandsbedieningen of andere besturingsinrichtingen buiten bereik van kinderen bewaren om ongewilde activeringen te vermijden.
- De activering van de handmatige deblokkering zou ongecontroleerde bewegingen van de deur kunnen veroorzaken, als dit gebeurt tijdens mechanische storingen of in onevenwichtige toestanden.
- In geval van afstandsbediening rolluiken: het bewegende rolluik controleren en de personen op een afstand houden tot deze niet volledig gesloten is. Opletten wanneer de deblokkering wordt geactiveerd, indien aanwezig, omdat een open rolluik snel zou kunnen vallen in aanwezigheid van slijtage of gebreken.
- Het stukgaan of de slijtage van mechanische onderdelen van de deur (geleide deel), zoals bijvoorbeeld kabels, veren, steunen, klepscharnieren, geleiders, kan gevaren veroorzaken. De installatie periodiek laten controleren door gekwalificeerd en ervaren personeel (professioneel installateur) volgens hetgeen aangegeven door de installateur of de deurenfabrikant.
- Voor alle externe schoonmaakwerkzaamheden het voedingsnet loskoppelen.
- De optieken van de fotocellen en de signaleringsinrichtingen schoon houden. Controleren of takken en struiken de veiligheidsinrichtingen niet storen.
- Het automatisisme niet gebruiken, als daarop onderhoudswerkzaamheden nodig zijn. In geval van storing of defect van het automatiseringssysteem, het voedingsnet loskoppelen van het automatiseringssysteem, geen pogingen ondernemen tot reparatie of directe werkzaamheden en zich alleen tot gekwalificeerd en ervaren personeel wenden (professioneel installateur) voor de noodzakelijke reparatie of onderhoud. Om de toegang mogelijk te maken, de nooddeblokkering activeren (indien aanwezig).
- Voor wat voor directe werkzaamheden dan ook op het automatiseringssysteem of de installatie, die niet door deze handleiding voorzien zijn, gebruik maken van gekwalificeerd en ervaren personeel (professioneel installateur).
- Minstens eenmaal per jaar de goede toestand en de correcte werking van het automatiseringssysteem laten controleren door gekwalificeerd en ervaren personeel (professioneel installateur), met name van alle veiligheidsinrichtingen.
- De installatie-, onderhouds- en reparatiewerkzaamheden moeten gedocumenteerd worden en de desbetreffende documentatie moet ter beschikking worden gehouden van de gebruiker.
- Het niet naleven van hetgeen hierboven beschreven is, kan gevaarlijke situaties creëren.

Al hetgeen niet uitdrukkelijk voorzien is in deze gebruikershandleiding, is niet toegestaan. De goede werking van de controller is alleen gegarandeerd, als de voorschriften aanwezig in deze handleiding in acht worden genomen. Het bedrijf is niet gehouden zich te verantwoorden voor de schade veroorzaakt door het niet in acht nemen van de aanwijzingen vermeld in deze handleiding.

Tervrij de hoofdkenmerken van het product ongewijzigd blijven, behoudt het Bedrijf zich het recht voor om op ieder willekeurig moment die wijzigingen aan te brengen die zij geschikt acht om het product technisch, constructief en commercieel gezien te verbeteren, zonder deze publicatie te hoeven bijwerken.

BFT S.P.A.

Via Lago di Vico 44, 36015 Schio (Vi) - **Italy**
tel. +39 0445 69 65 11 / fax. +39 0445 69 65 22
www.bft.it / e-mail: info@bft.it

AUTOMATISMES BFT FRANCE

13 Bd. E. Michelet, 69008 Lyon - **France**
tel. +33 (0)4 78 76 09 88 - fax +33 (0)4 78 76 92 23
e-mail: contacts@automatismes-bft-france.fr

**BFT Torantriebssysteme GmbH**

Faber-Castell-Straße 29
D - 90522 Oberasbach - **Germany**
tel. +49 (0)911 766 00 90 - fax +49 (0)911 766 00 99
e-mail: service@bft-torantriebe.de

BFT Automation UK Ltd

Unit 8E, Newby Road
Industrial Estate Hazel Grove, Stockport,
Cheshire, SK7 5DA - **UK**
tel. +44 (0) 161 4560456 - fax +44 (0) 161 4569090
e-mail: info@bftautomation.co.uk

BFT BENELUX SA

Parc Industriel 1, Rue du commerce 12
1400 Nivelles - **Belgium**
tel. +32 (0)67 55 02 00 - fax +32 (0)67 55 02 01
e-mail: info@bftbenelux.be

BFT-ADRIA d.o.o.

Obrovac 39
51218 Dražice (Rijeka)
Hrvatska - **Croatia**
tel. +385 (0)51 502 640 - fax +385 (0)51 502 644
e-mail: info@bft.hr

BFT Polska Sp. z o.o.

ul. Kolačińska 35
03-171 Warszawa - **Poland**
tel. +48 22 814 12 22 - fax +48 22 814 39 18
e-mail: biuro@bft.com.pl

BFT USA BFT U.S., Inc.

6100 Broken Sound Pkwy. N.W., Suite 14
Boca Raton, FL 33487 - **U.S.A.**
T: +1 561.995.8155 - F: +1 561.995.8160
TOLL FREE 1.877.995.8155 - info.bft@bft-usa.com

BFT GROUP ITALIBERICA DE AUTOMATISMOS S.L.

Pol. Palou Nord,
Sector F - C/Cami - Can Basa nº 6-8 08401 Granollers -
(Barcelona) - Spain
tel. +34 938 61 48 28 - fax +34 938 70 03 94
e-mail: bftbcn@bftautomatismos.com

Pl. Comendador - C/
informática, Nave 22 - 19200 Azuqueca de henares
(Guadalajara) - Spain
tel. +34 949 26 32 00 - fax +34 949 26 24 51
e-mail: administracion@bftautomatismos.com

BFT SA-COMERCIO DE AUTOMATISMOS E MATERIAL DE SEGURANÇA
Urbanizaçao da Pedrulha Lote 9 - Apartado 8123,
3020-305 COIMBRA - **PORTUGAL**
tel. +351 239 082 790 - fax +351 239 082 799
e-mail: geral@bftportugal.com