

Fig.1

D811628\_01

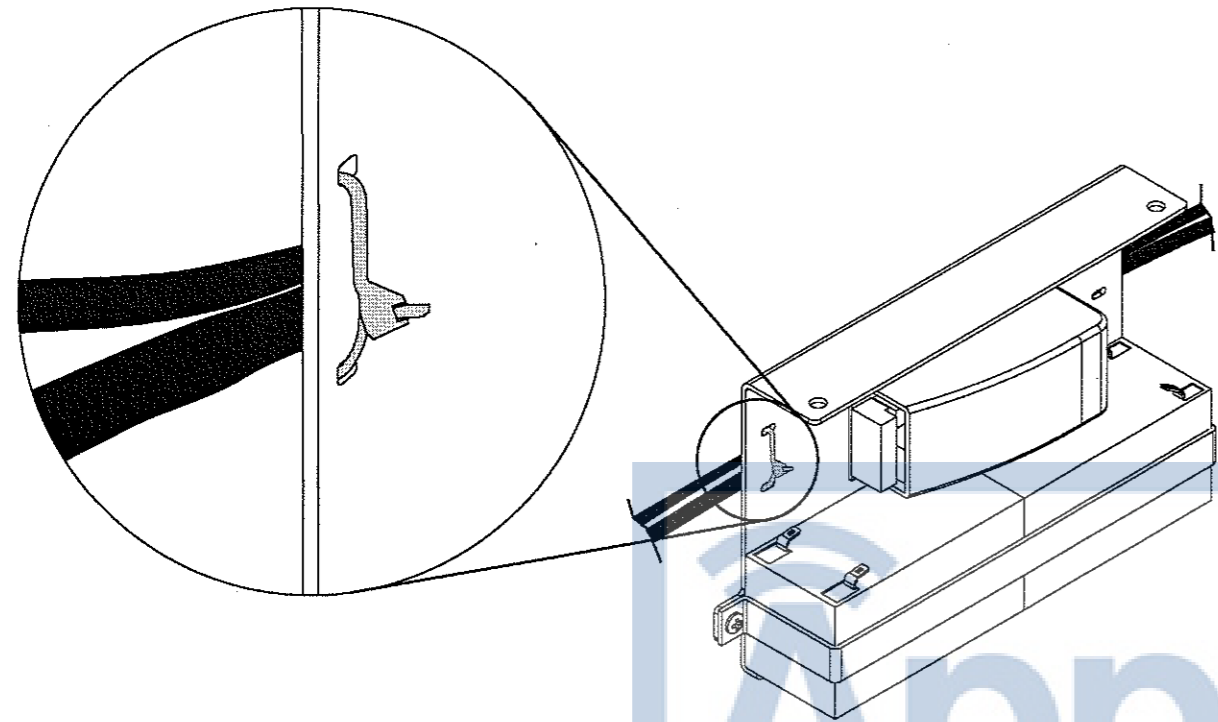
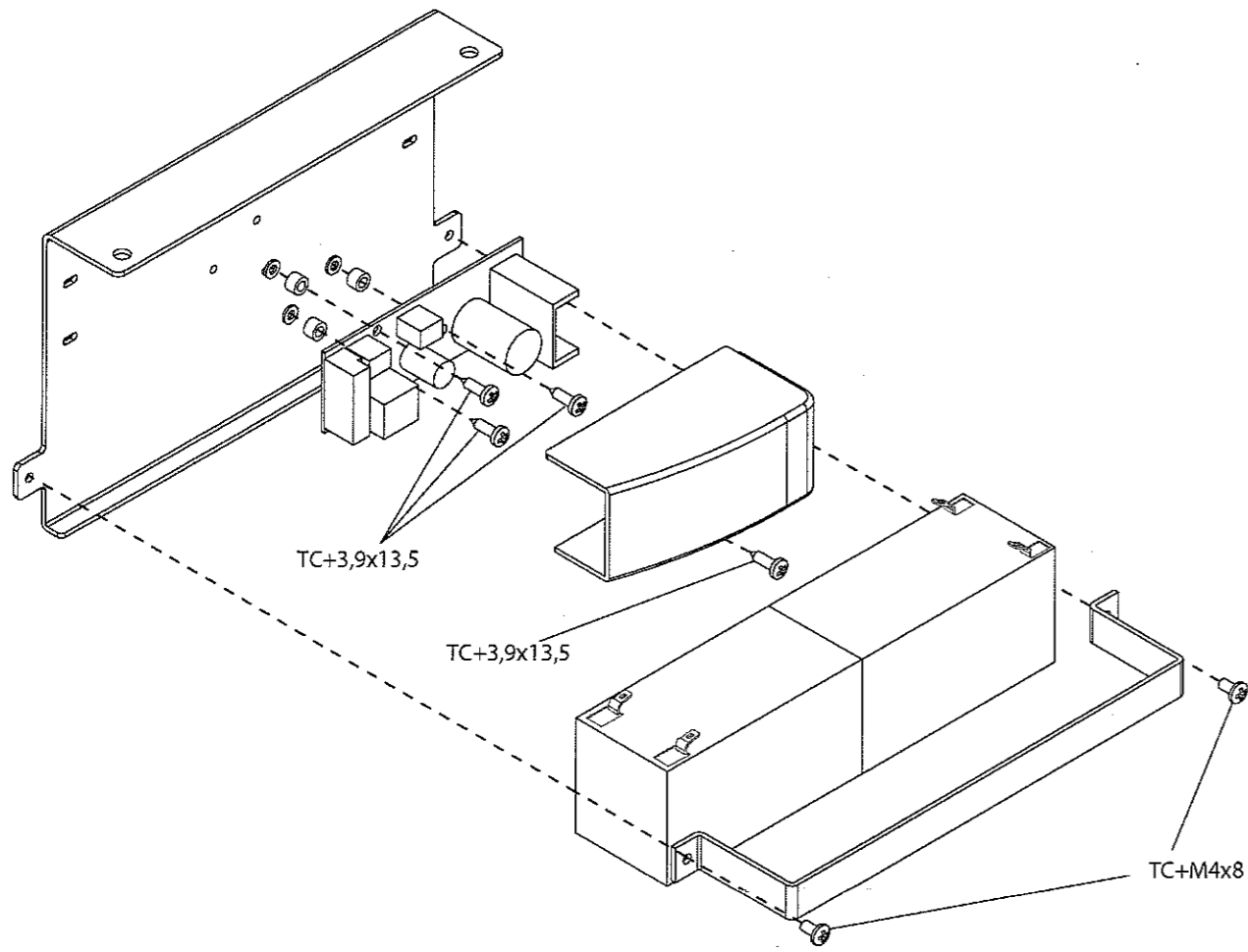


Fig.2

D811628\_01

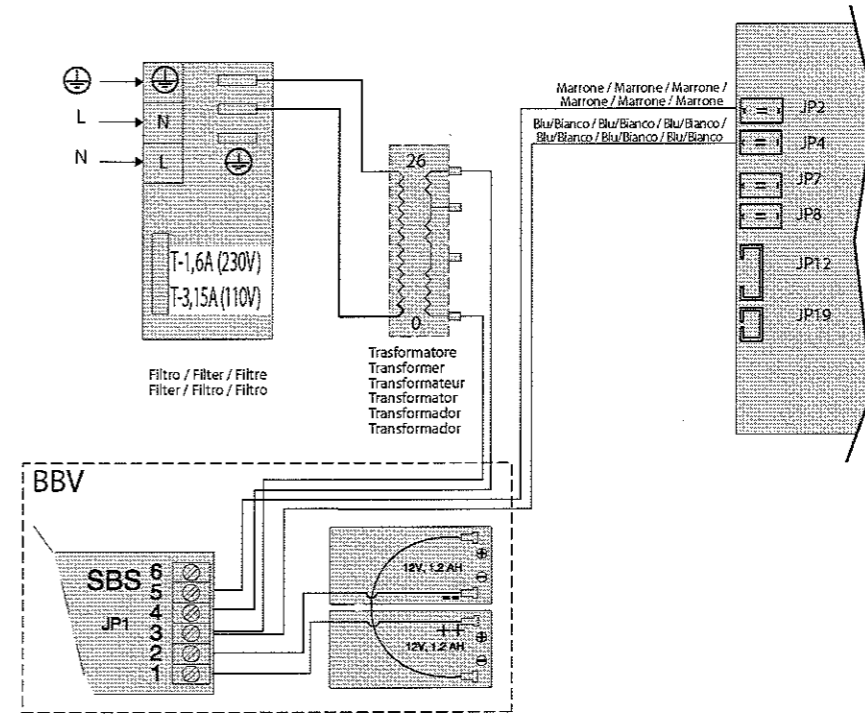


Fig.3

VISTA SL 208÷211

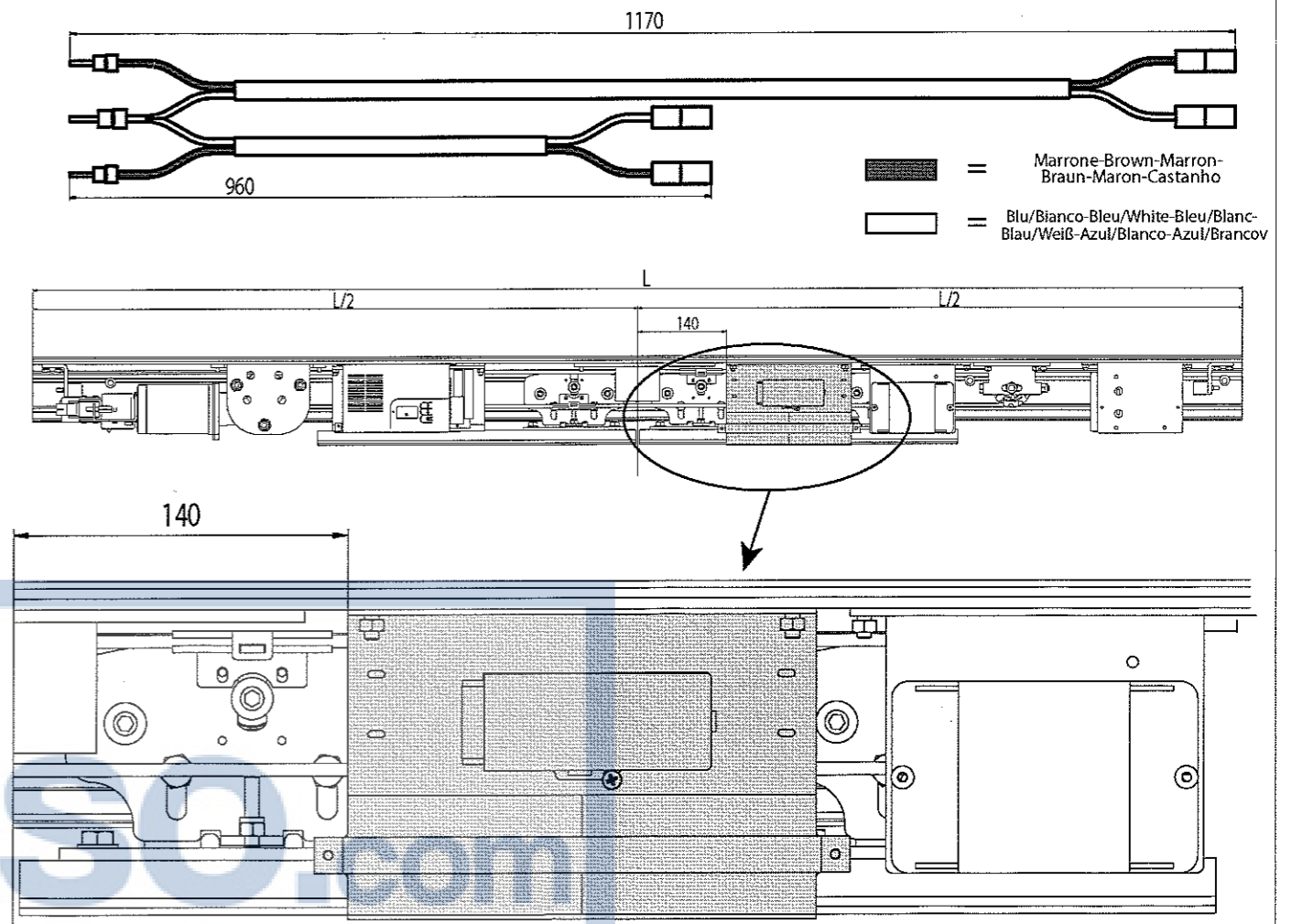
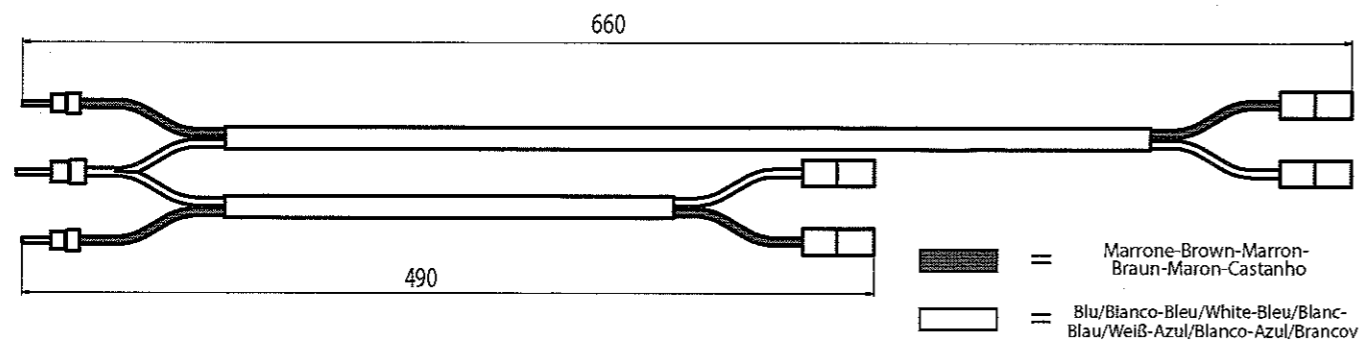
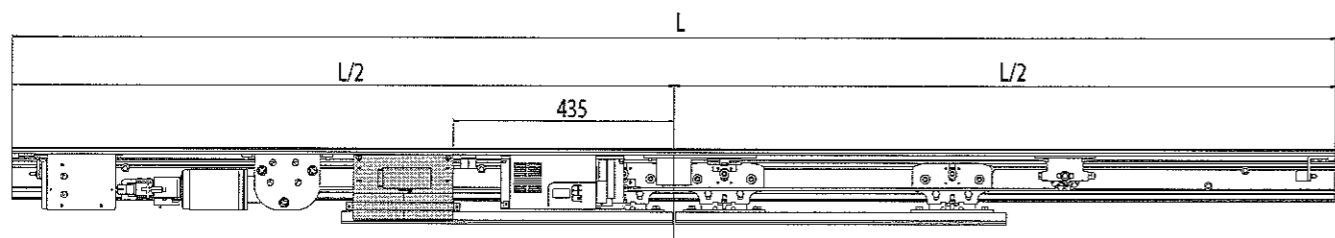


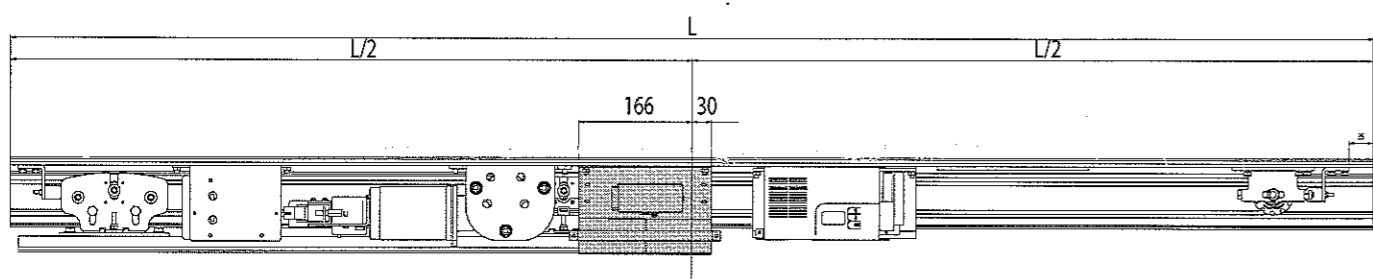
Fig. 4



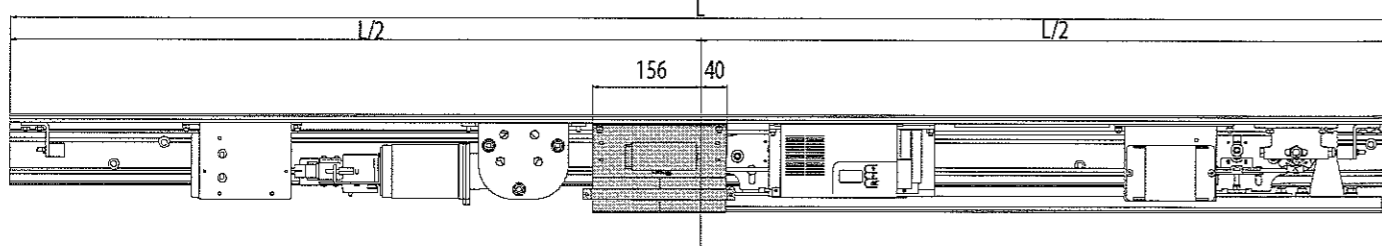
VISTA SL 212 ÷ 229



VISTA SL SX 107 ÷ 125



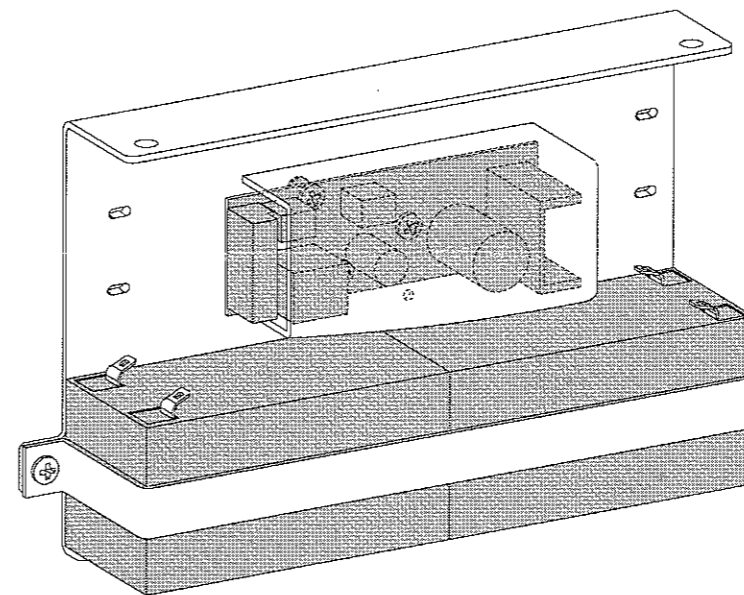
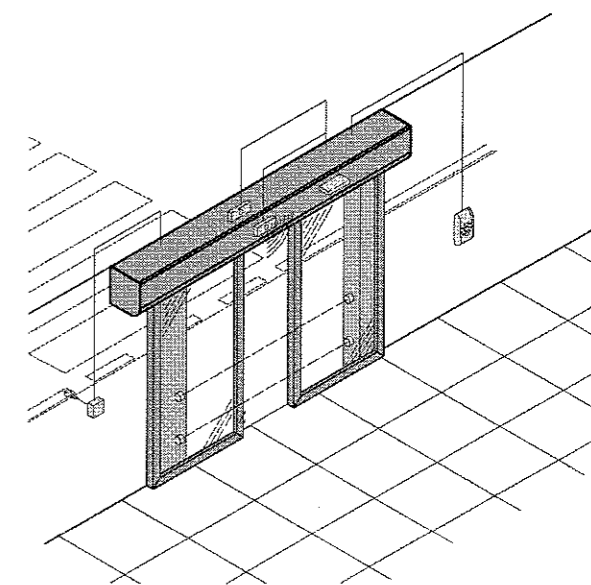
VISTA SL DX 107 ÷ 125



- I DISPOSITIVO ANTIPANICO A BATTERIE
- GB BATTERY-OPERATED ANTIPANIC DEVICE
- F DISPOSITIF ANTIPANIQUE À BATTERIES
- D ANTIPANIKVORRICHTUNG MIT BATTERIEN
- E DISPOSITIVO ANTIPÁNICO A BATERÍAS
- P DISPOSITIVO ANTI-PÁNICO DE BATERIAS



**BBV**



**ISTRUZIONI D'USO E DI INSTALLAZIONE**  
**INSTALLATION AND USER'S MANUAL**  
**INSTRUCTIONS D'UTILISATION ET D'INSTALLATION**  
**INSTALLATIONS-UND GEBRAUCHSANLEITUNG**  
**INSTRUCCIONES DE USO Y DE INSTALACION**  
**INSTRUÇÕES DE USO E DE INSTALAÇÃO**



**BFT S.P.A.**  
 Via Lago di Vico 44, 36015 Schio (VI) - Italy  
 tel. +39 0445 69 65 11 / fax. +39 0445 69 65 22  
 www.bft.it / e-mail: info@bft.it

**AUTOMATISMES BFT FRANCE**  
 13 Bd. E. Michelet, 69008 Lyon - France  
 tel. +33 (0)4 78 76 09 88 - fax +33 (0)4 78 76 92 23  
 e-mail: contacts@automatismes-bft-france.fr



**BFT Torantriebssysteme GmbH**  
 Faber-Castell-Straße 29  
 D - 90522 Oberasbach - Germany  
 tel. +49 (0)911 766 00 90 - fax +49 (0)911 766 00 99  
 e-mail: service@bft-torantriebe.de

**BFT Automation UK Ltd**  
 Unit 8E, Newby Road  
 Industrial Estate Hazel Grove, Stockport,  
 Cheshire, SK7 5DA - UK  
 tel. +44 (0) 161 4560456 - fax +44 (0) 161 4569090  
 e-mail: info@bftautomation.co.uk

**BFT BENELUX SA**  
 Parc industriel 1, Rue du commerce 12  
 1400 Nivelles - Belgium  
 tel. +32 (0)67 55 02 00 - fax +32 (0)67 55 02 01  
 e-mail: info@bftbenelux.be

**BFT ADRIA d.o.o.**  
 Obrovac 39  
 51218 Dražice (Rijeka)  
 Hrvatska - Croatia  
 tel. +385 (0)51 502 640 - fax +385 (0)51 502 644  
 e-mail: info@bft.hr

**BFT Polska Sp. z o.o.**  
 ul. Kolańska 35  
 03-171 Warszawa - Poland  
 tel. +48 22 814 12 22 - fax +48 22 814 39 18  
 e-mail: biuro@bft.com.pl

**BFT USA BFT U.S., Inc.**  
 6100 Broken Sound Pkwy. N.W., Suite 14  
 Boca Raton, FL 33487 - U.S.A.  
 T: +1 561.995.8155 - F: +1 561.995.8160  
 TOLL FREE 1.877.995.8155 - info.bft@bft-usa.com

**BFT GROUP ITALIBERICA DE AUTOMATISMOS S.L.**  
 Pol. Palou Nord,  
 Sector F - C/ Camí - Can Basa nº 6-8 08401 Granollers -  
 (Barcelona) - Spain  
 tel. +34 938 61 48 28 - fax +34 938 70 03 94  
 e-mail: bftbcr@bftautomatismos.com

**P.I. Comendador - C/**  
 Informática, Nave 22 - 19200 Azuqueca de Henares  
 (Guadalajara) - Spain  
 tel. +34 949 26 32 00 - fax +34 949 26 24 51  
 e-mail: administracion@bftautomatismos.com

**BFT SA - COMERCIO DE AUTOMATISMOS E MATERIAL DE SEGURANÇA**  
 Urbanizaçao da Pedrulha Lote 9 - Apartado 8123,  
 3020-305 COIMBRA - PORTUGAL  
 tel. +351 239 082 790 - fax +351 239 082 799  
 e-mail: geral@bftportugal.com

**AZIENDA CON SISTEMA  
 DI GESTIONE INTEGRATO  
 CERTIFICATO DA DNV  
 = UNI EN ISO 9001:2000 =  
 UNI EN ISO 14001:1996**

Via Lago di Vico, 44  
 36015 Schio (VI)  
 Tel.naz. 0445 696511  
 Tel.int. +39 0445 696533  
 Fax 0445 696522  
 Internet: www.bft.it  
 E-mail: sales@bft.it

